

[54] FLANGED GOLF TEE COLLAR

[76] Inventor: Ted P. Nelson, 18229 - 36th Place South, Seattle, Wash. 98188

[**] Term: 14 Years

[21] Appl. No.: 86,726

[22] Filed: Oct. 22, 1979

[51] Int. Cl. D21-02

[52] U.S. Cl. D21/208

[58] Field of Search D21/208; 273/33, 202, 273/203, 204, 208, 209

[56] References Cited

U.S. PATENT DOCUMENTS

1,550,483	8/1925	Wulkop	273/208
1,597,740	8/1926	Thompson	273/202
3,606,344	9/1971	Ball	273/202

FOREIGN PATENT DOCUMENTS

466691	6/1937	United Kingdom	D21/208
--------	--------	----------------	---------

OTHER PUBLICATIONS

Spalding Cat., 1903-1904, p. 51, rubber golf tee, second from top right.

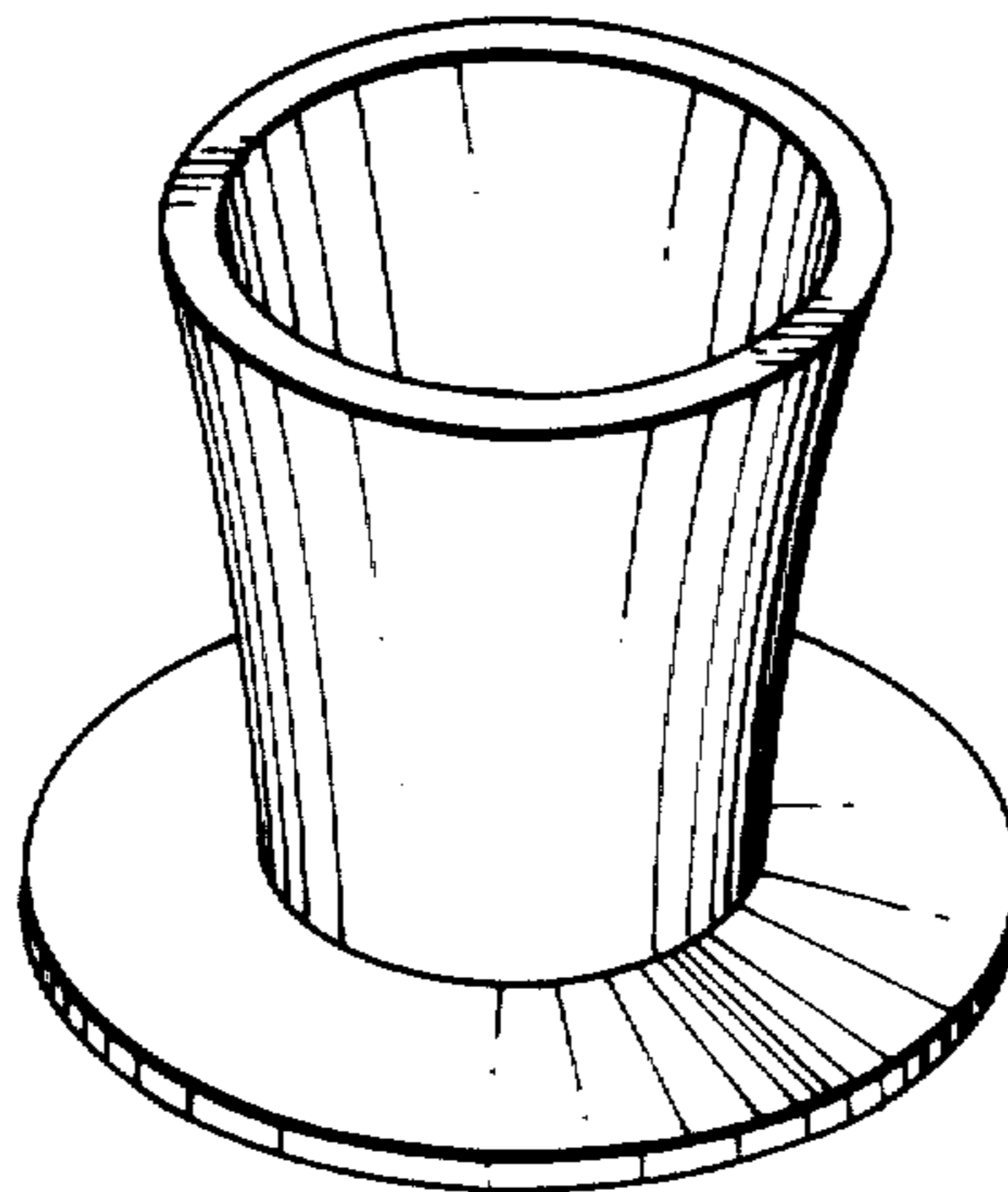
Primary Examiner—Melvin B. Feifer
Attorney, Agent, or Firm—Ward Brown; Douglas E. Winters; Robert W. Beach

[57] CLAIM

The ornamental design for a flanged golf tee collar, substantially as shown and described.

DESCRIPTION

FIG. 1 is a top perspective view of a flanged golf tee collar showing my new design; FIG. 2 is an elevational view thereof; FIG. 3 is a top plan view thereof; FIG. 4 is a bottom plan view thereof; FIG. 5 is a top perspective view of a flanged golf tee collar showing a second embodiment of my new design; FIG. 6 is an elevational view of FIG. 5; FIG. 7 is a top plan view of FIG. 5; and FIG. 8 is a bottom plan view of FIG. 5.



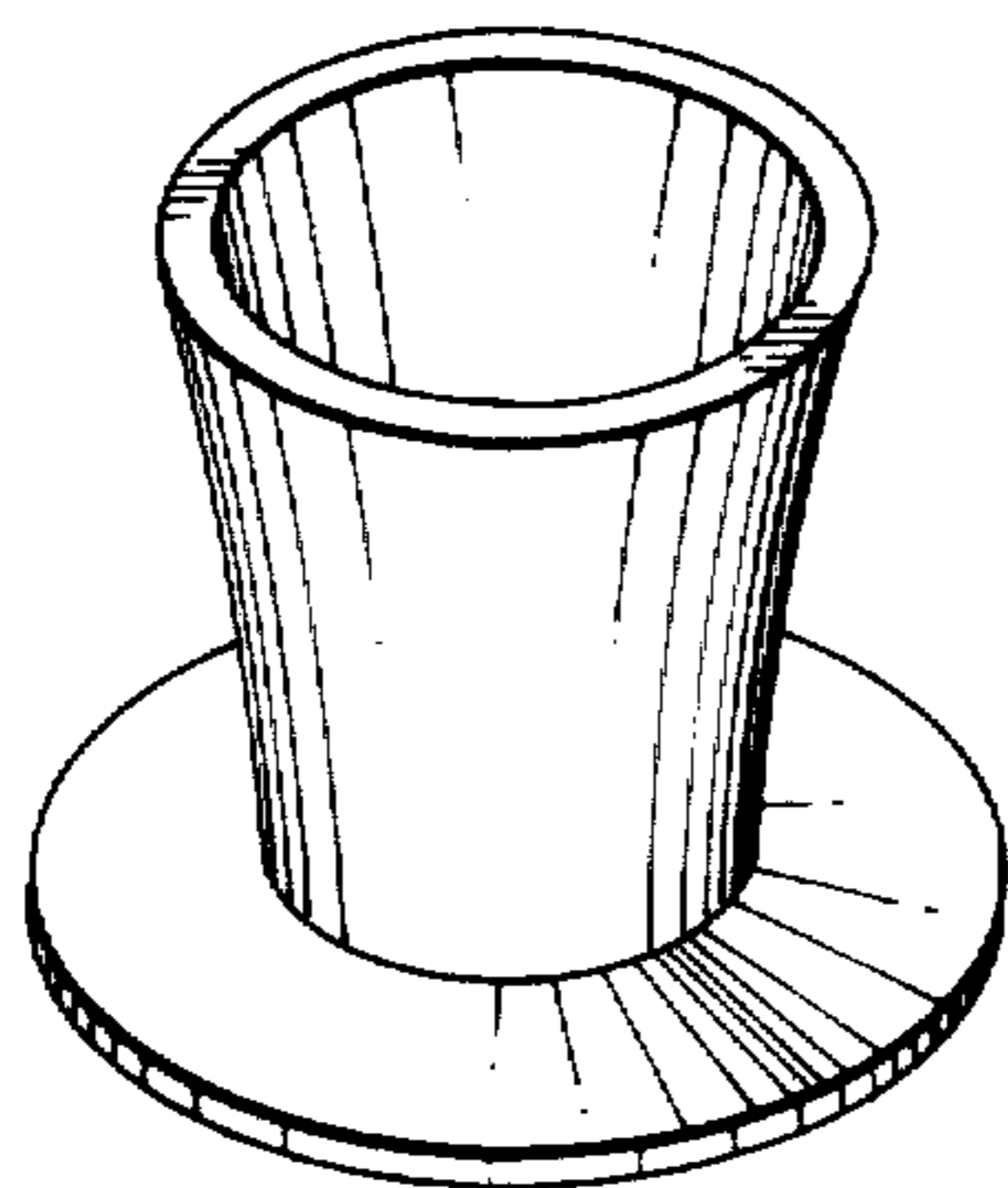


Fig. 1

Fig. 2

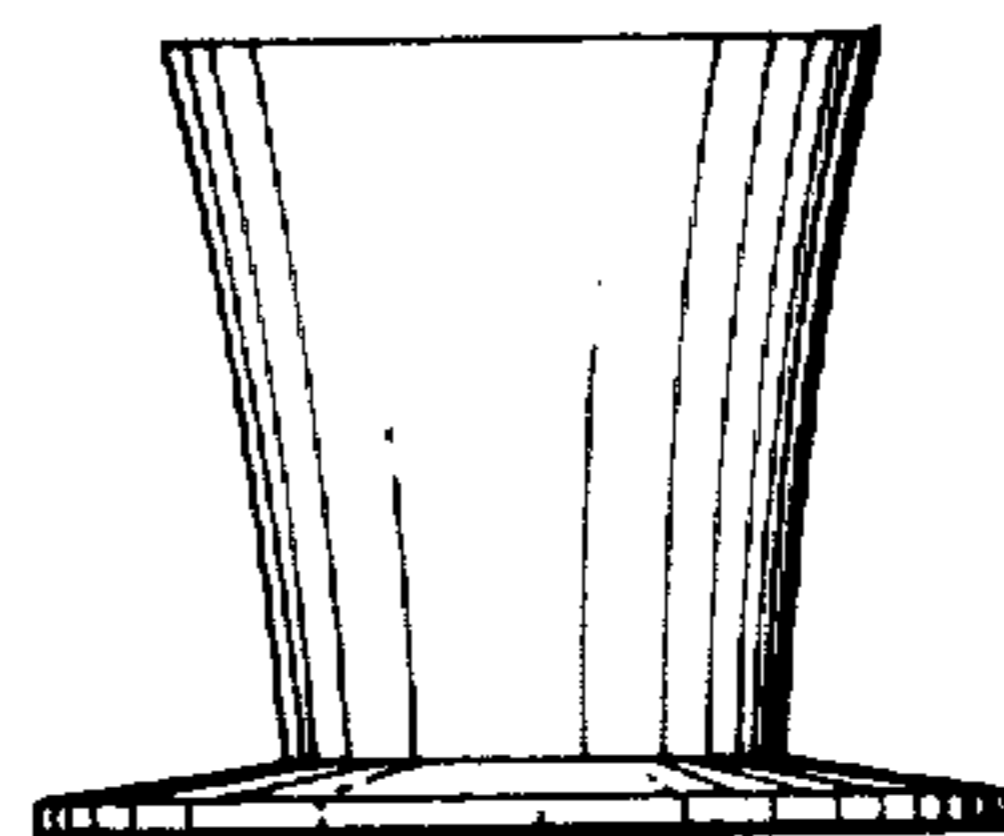


Fig. 4

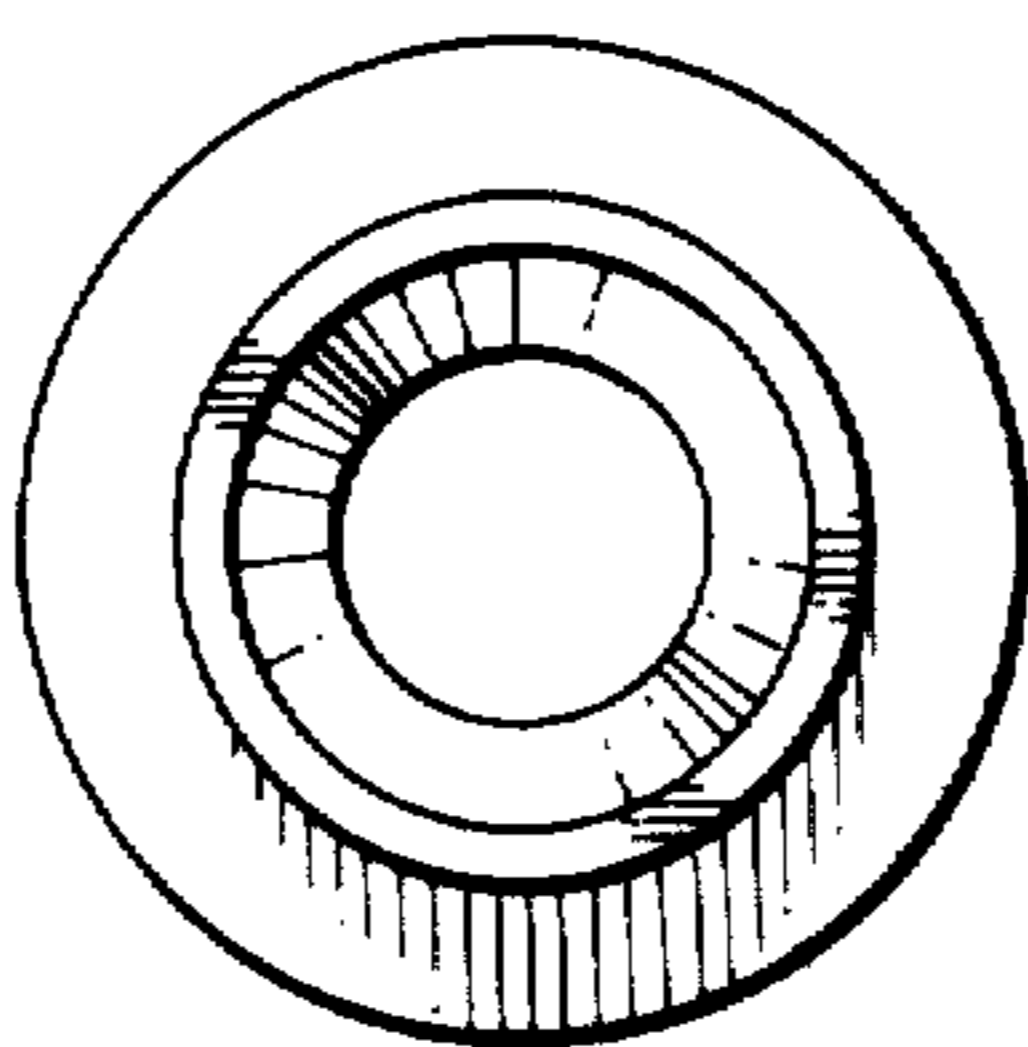


Fig. 3

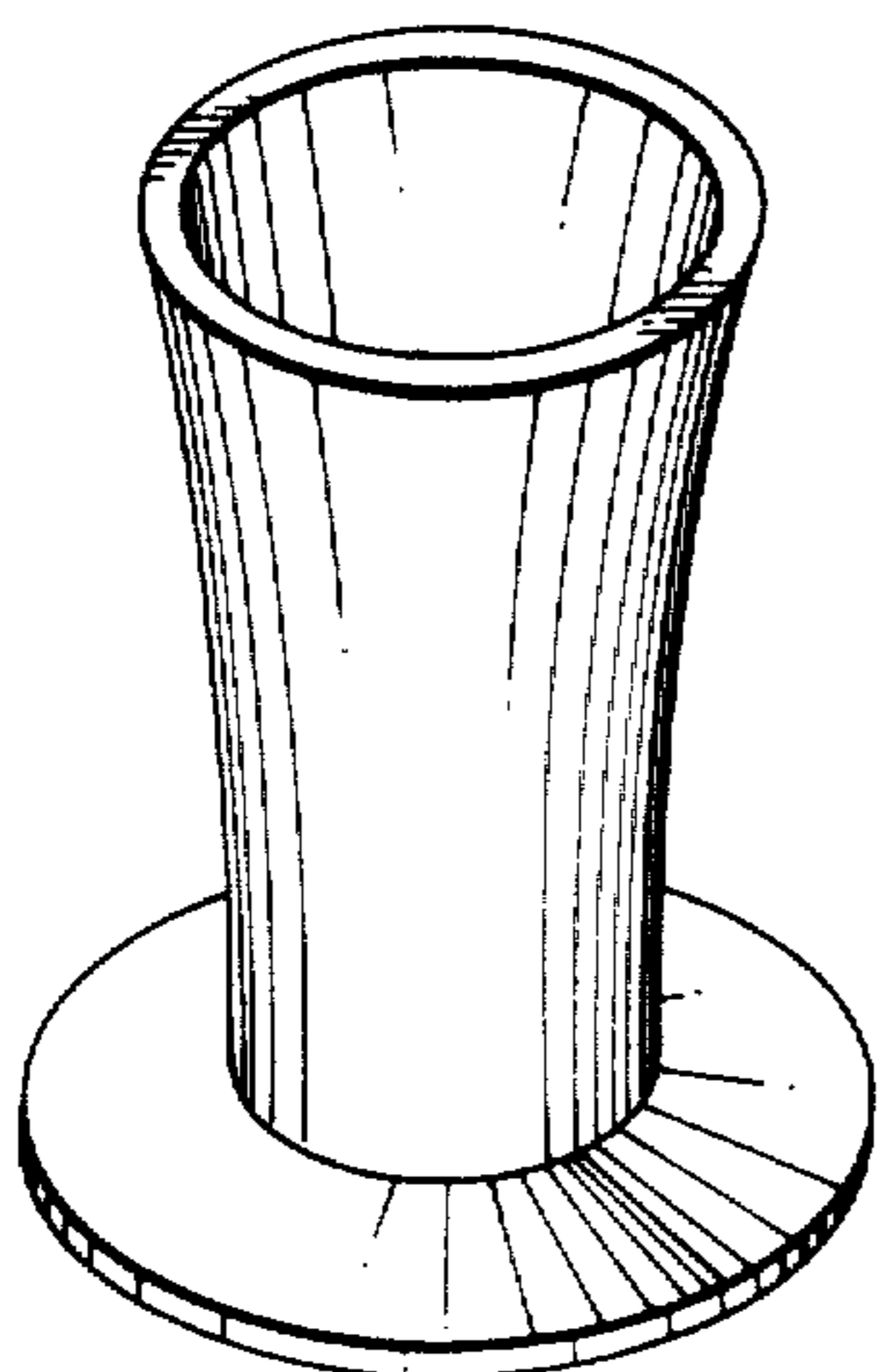
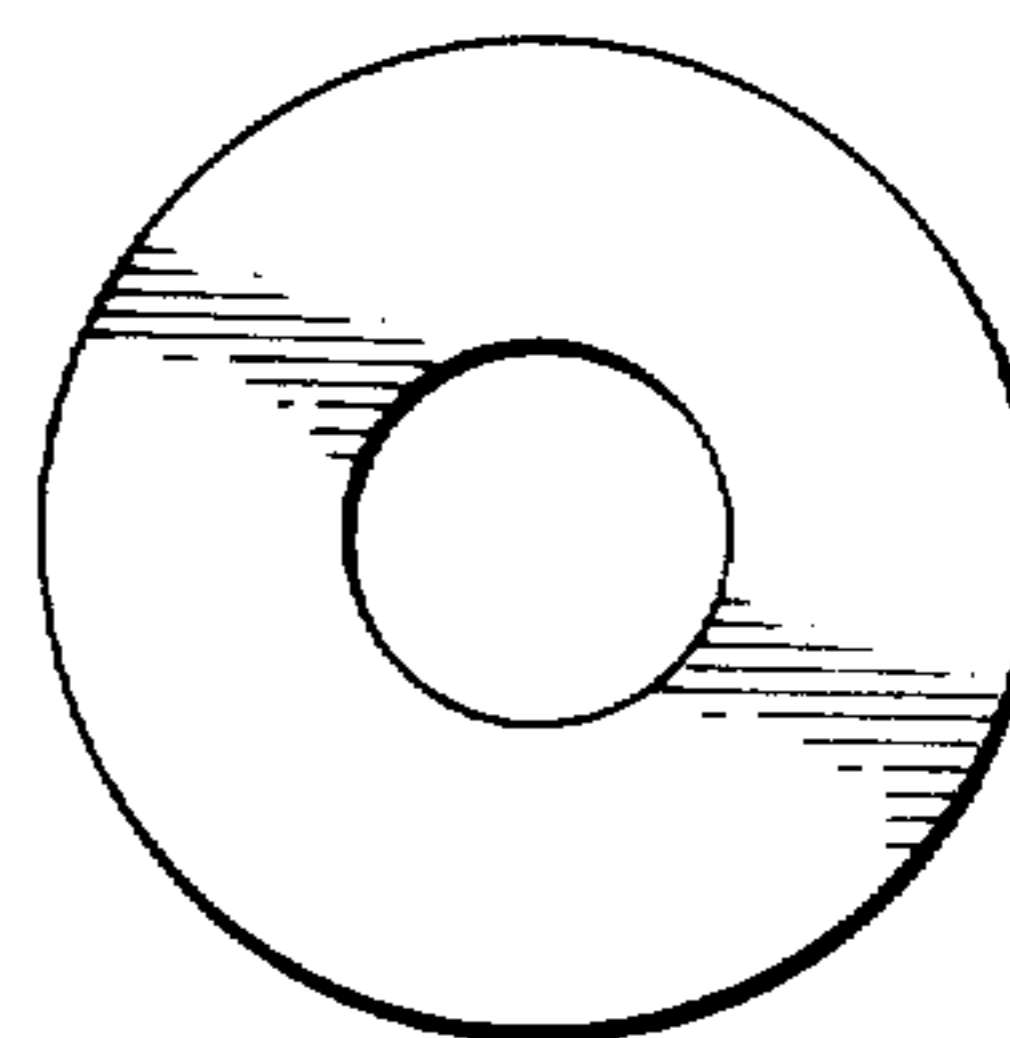


Fig. 5

Fig. 6

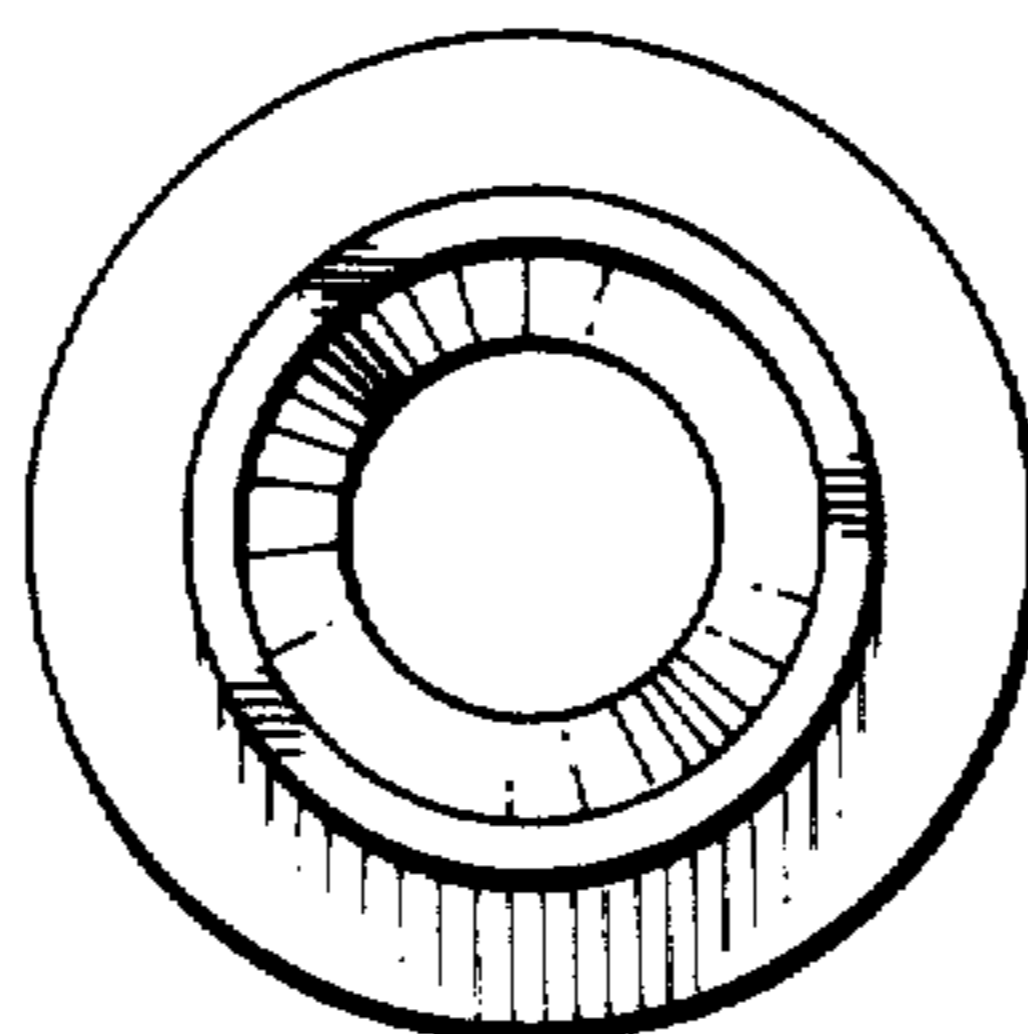
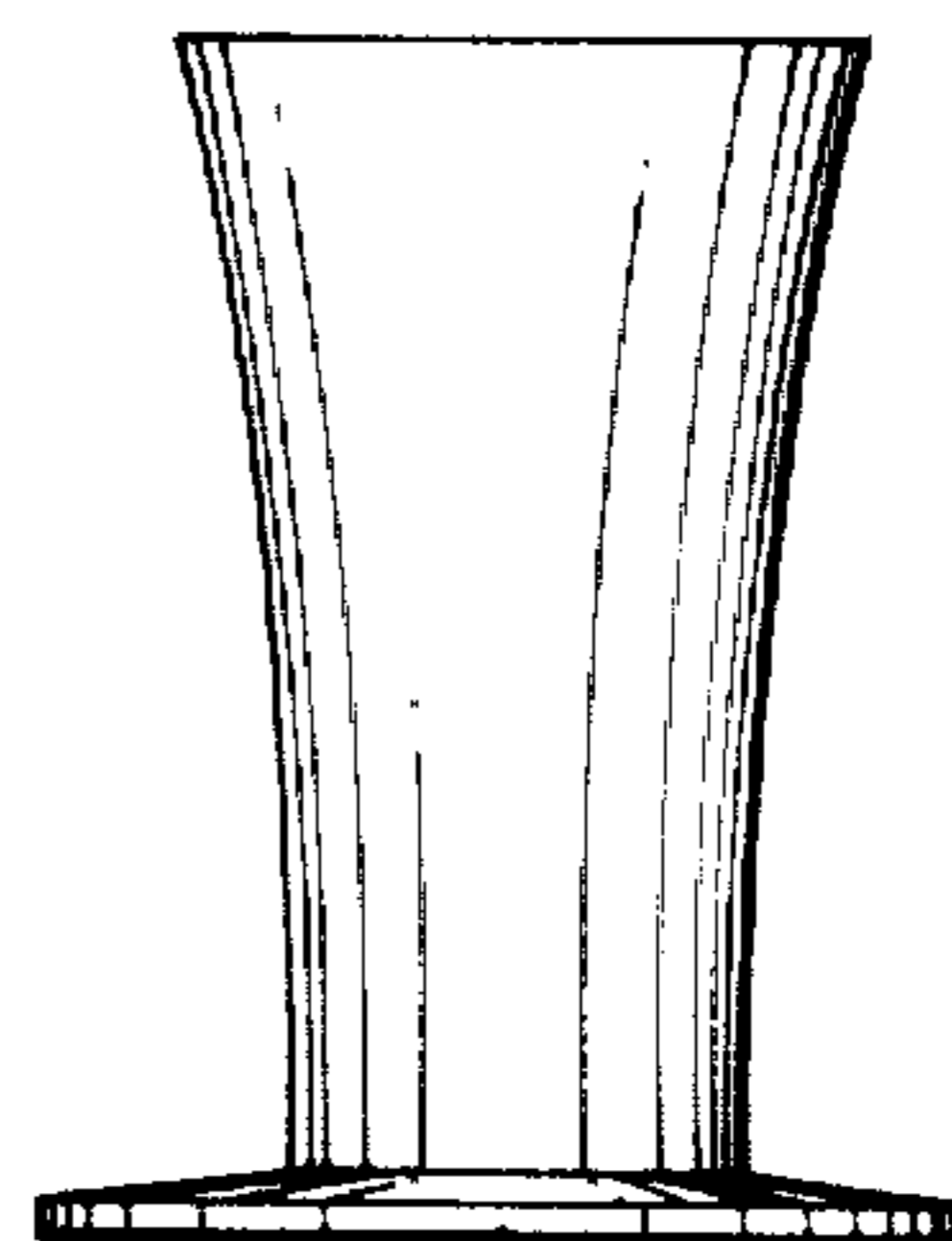


Fig. 7

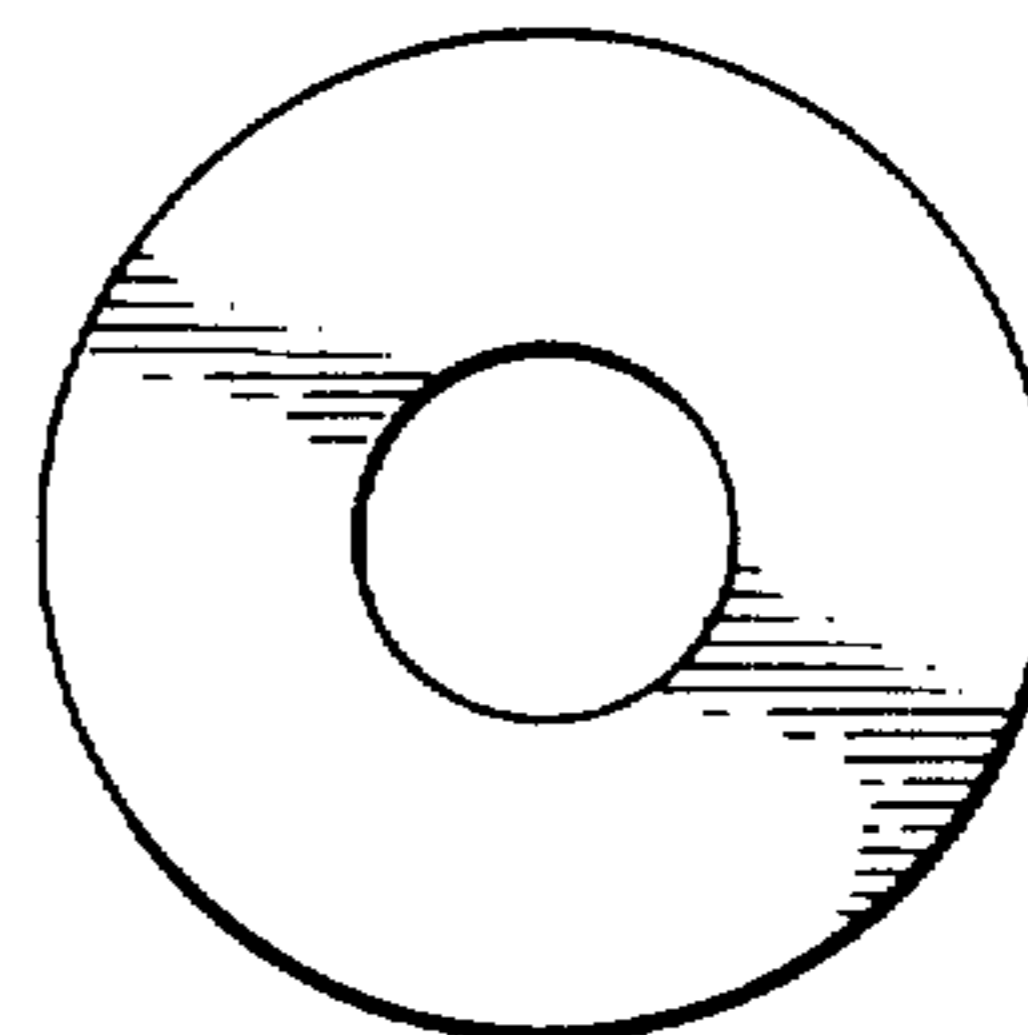


Fig. 8