

[54] MESSAGE CLIP

[75] Inventor: H. Randall Cole, Powder Springs, Ga.

[73] Assignee: Apco Graphics, Inc., Atlanta, Ga.

[**] Term: 14 Years

[21] Appl. No.: 206,039

[22] Filed: Nov. 12, 1980

[51] Int. Cl. D19-02

[52] U.S. Cl. D19/90; D6/102; D8/373; D8/395; D19/91

[58] Field of Search D19/86, 90, 91, 88; D6/99, 102; D8/373, 395; 211/50, 89

[56]

References Cited

U.S. PATENT DOCUMENTS

D. 228,528	10/1973	Smith	D19/88
D. 248,825	8/1978	Redmer	D8/395
2,912,117	11/1959	Clay	211/89
3,399,429	9/1968	Goodman	211/50
3,675,782	7/1972	Dudley	211/50

Primary Examiner—George F. Word
Attorney, Agent, or Firm—Jones & Askew

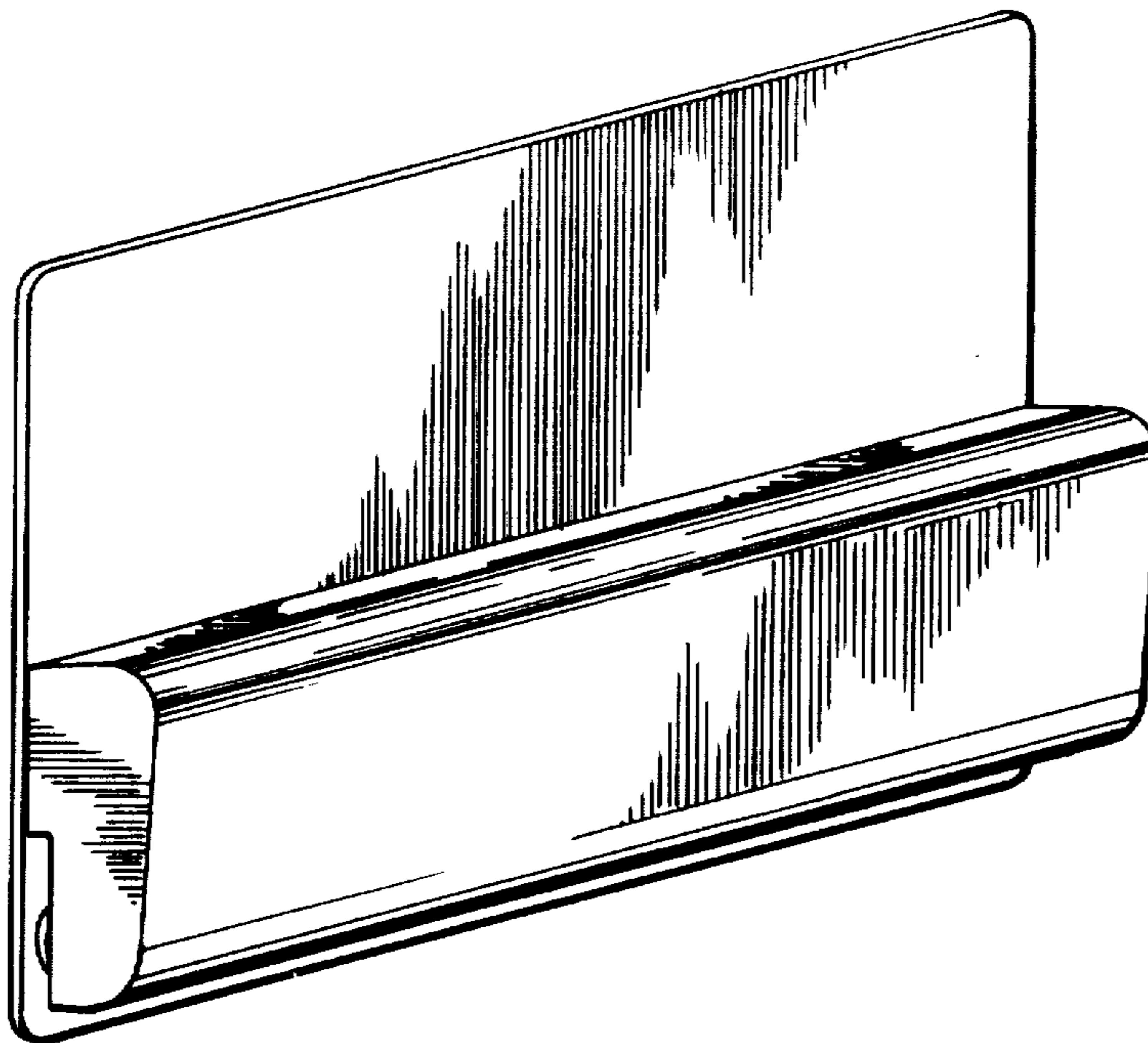
[57]

CLAIM

The ornamental design for a message clip, substantially as shown.

DESCRIPTION

FIG. 1 is a perspective view of a message clip showing my new design;
FIG. 2 is a right side elevational view thereof;
FIG. 3 is a front elevational view;
FIG. 4 is a rear elevational view;
FIG. 5 is a bottom plan view; and
FIG. 6 is a top plan view.



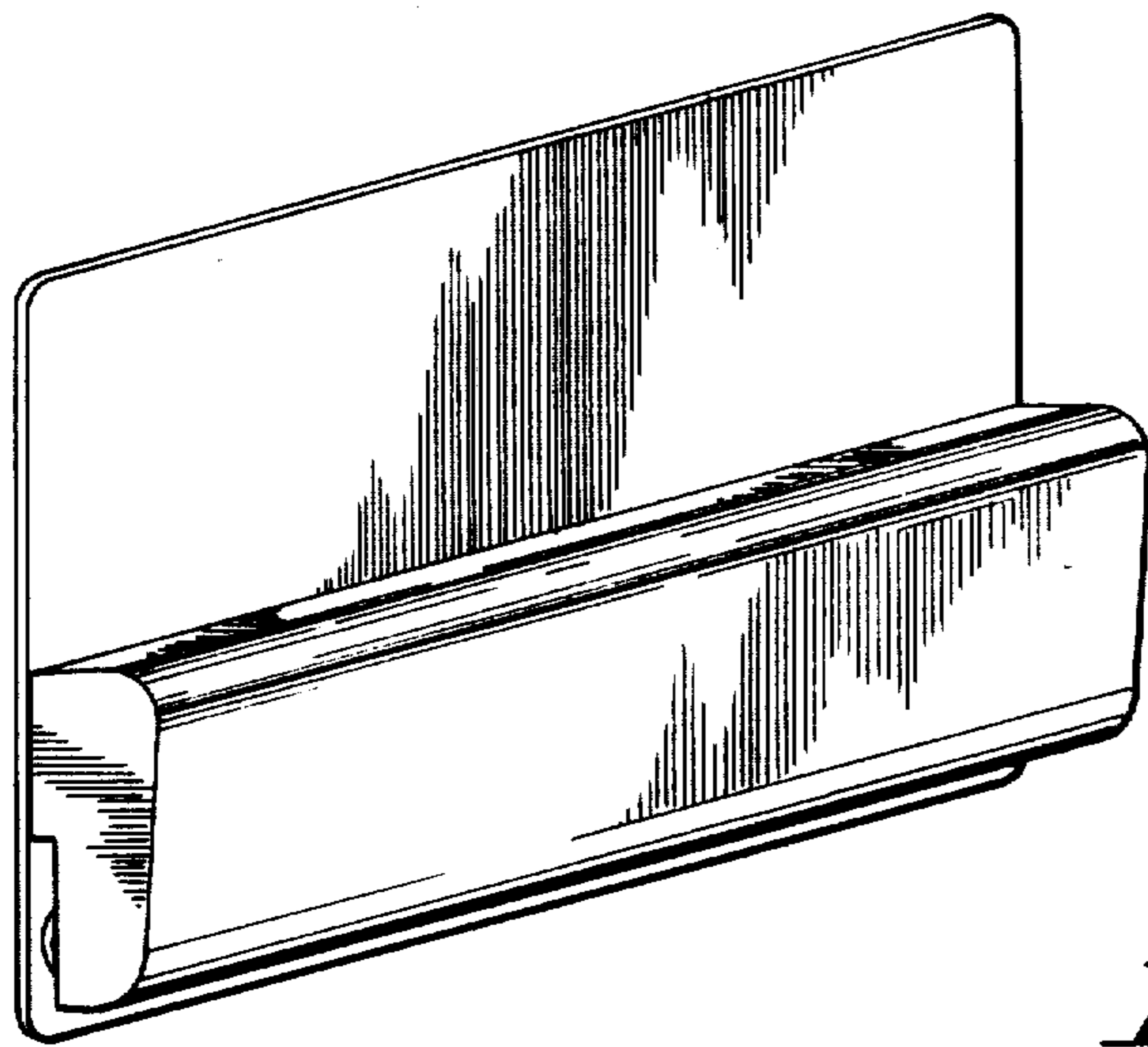


Fig. 1



Fig. 2

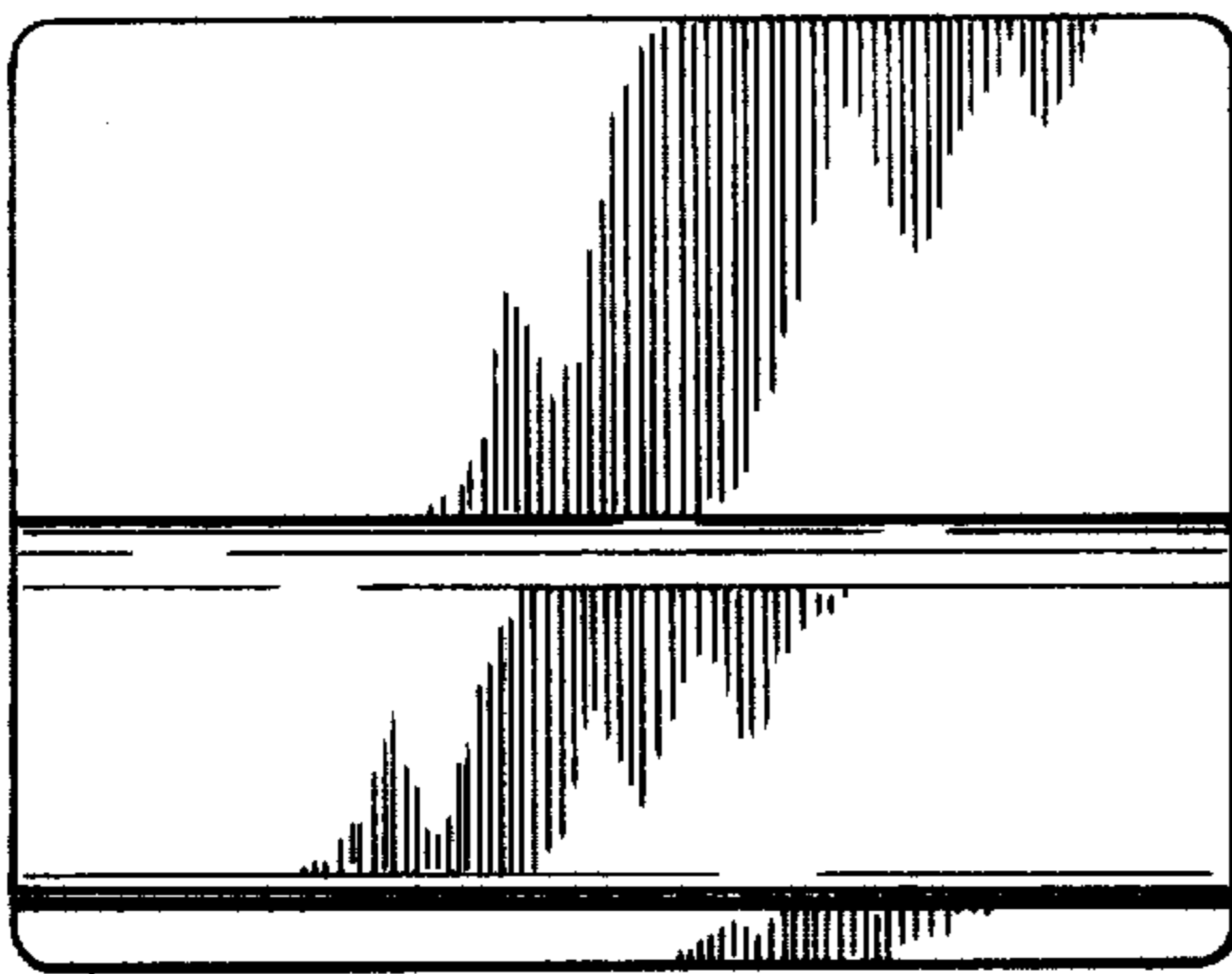


Fig. 3

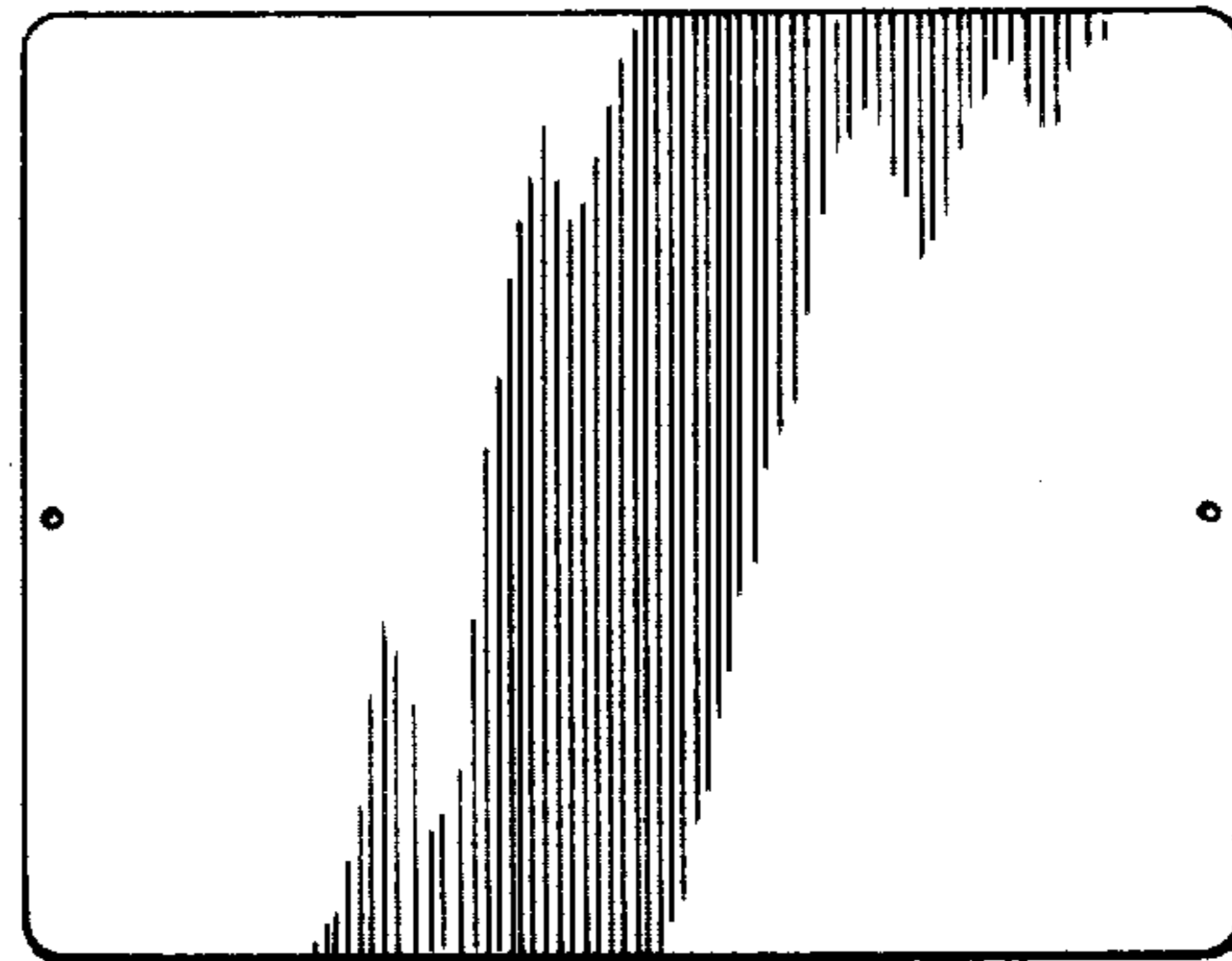


Fig. 4



Fig. 5

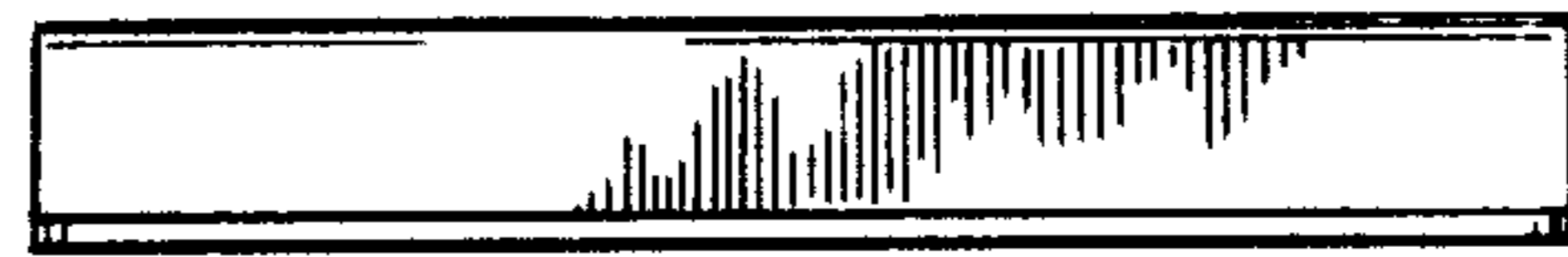


Fig. 6