

[54] MACHINING CENTER

[75] Inventors: **Ryuji Wada**, Nagoya; **Kenichi Munekata**, Kariya; **Yoshio Shima**, Ohbu; **Fumihiko Okoshi**; **Yoji Kamiya**, both of Anjo; **Toshifumi Hasegawa**, Kariya; **Norikazu Kanii**, Chita, all of Japan

[73] Assignee: **Toyota Koki Kabushiki Kaisha**, Kariya, Japan

[**] Term: **14 Years**

[21] Appl. No.: **142,844**

[22] Filed: **Apr. 22, 1980**

[30] Foreign Application Priority Data

Oct. 29, 1979 [JP] Japan 54-45487

[51] Int. Cl. **D15-09**

[52] U.S. Cl. **D15/122; D15/127; D15/128; D15/131; D15/132**

[58] Field of Search **D15/122, 199, 127-132; 29/568**

[56] References Cited

U.S. PATENT DOCUMENTS

Re. 25,737	3/1965	Brainard et al.	29/568
D. 217,390	4/1970	Larsen	D15/131
D. 221,301	7/1971	Stevens	D15/122
3,344,512	10/1967	Zucchellini	29/568
3,780,423	12/1973	Lilienthal et al.	29/568

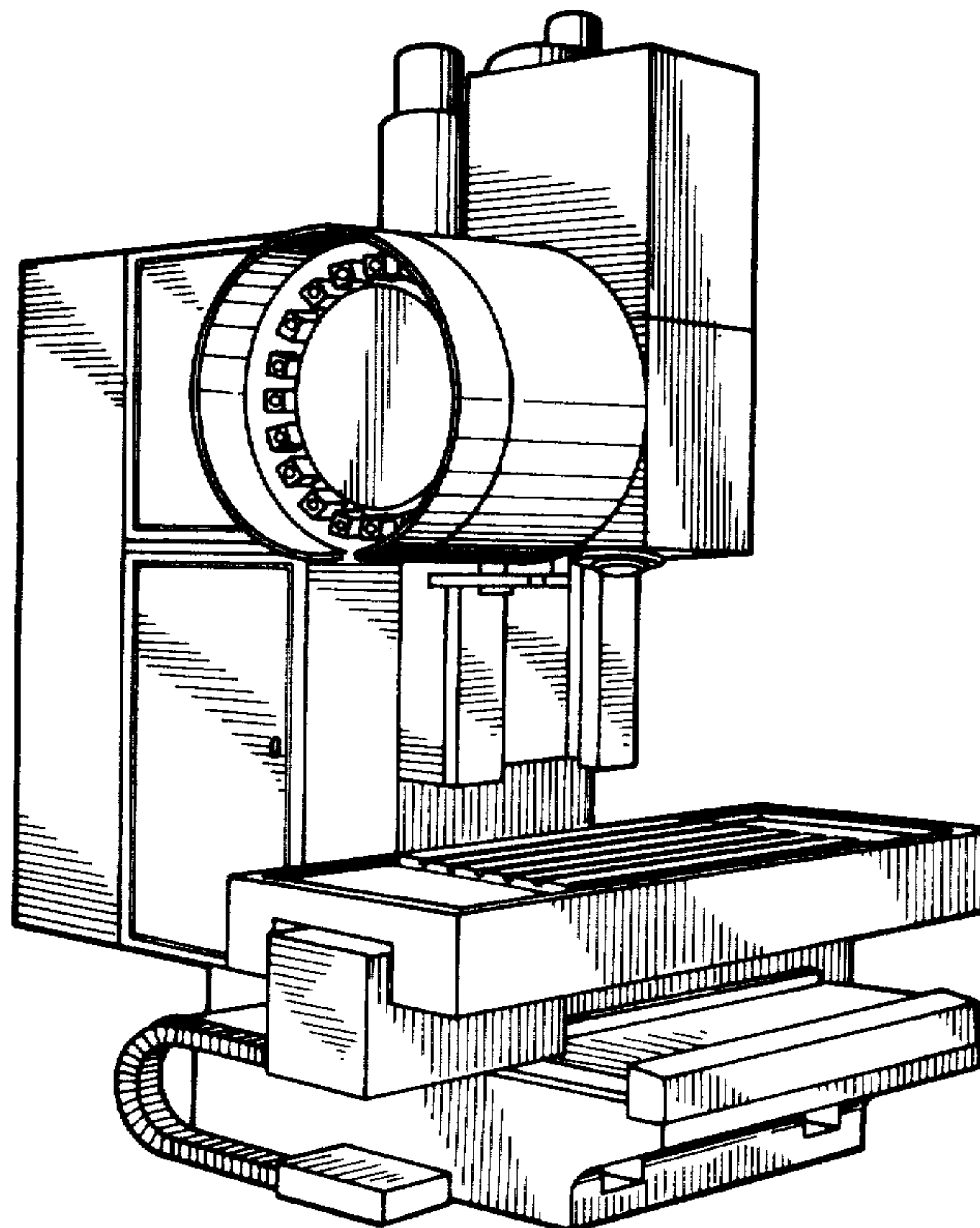
Primary Examiner—**B. J. Bullock**
Attorney, Agent, or Firm—**Oblon, Fisher, Spivak, McClelland & Maier**

[57] CLAIM

The ornamental design for a machining center, substantially as shown.

DESCRIPTION

FIG. 1 is a perspective view of a machining center showing our new design;
FIG. 2 is a front view thereof;
FIG. 3 is a rear view thereof;
FIG. 4 is a side view taken from the right of FIG. 2;
FIG. 5 is a side view taken from the left of FIG. 2;
FIG. 6 is a top view thereof; and
FIG. 7 is a bottom view thereof.



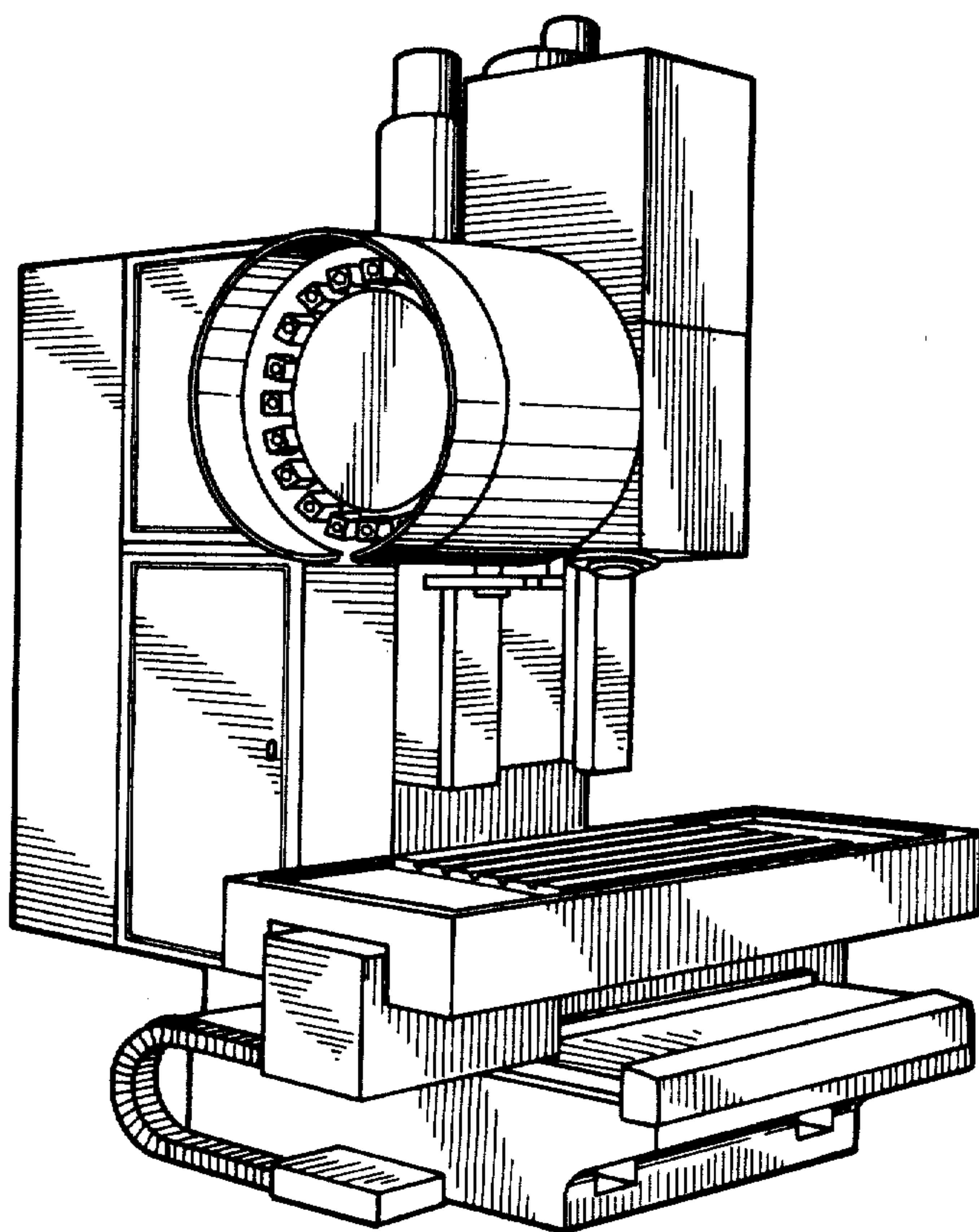


FIG. 1

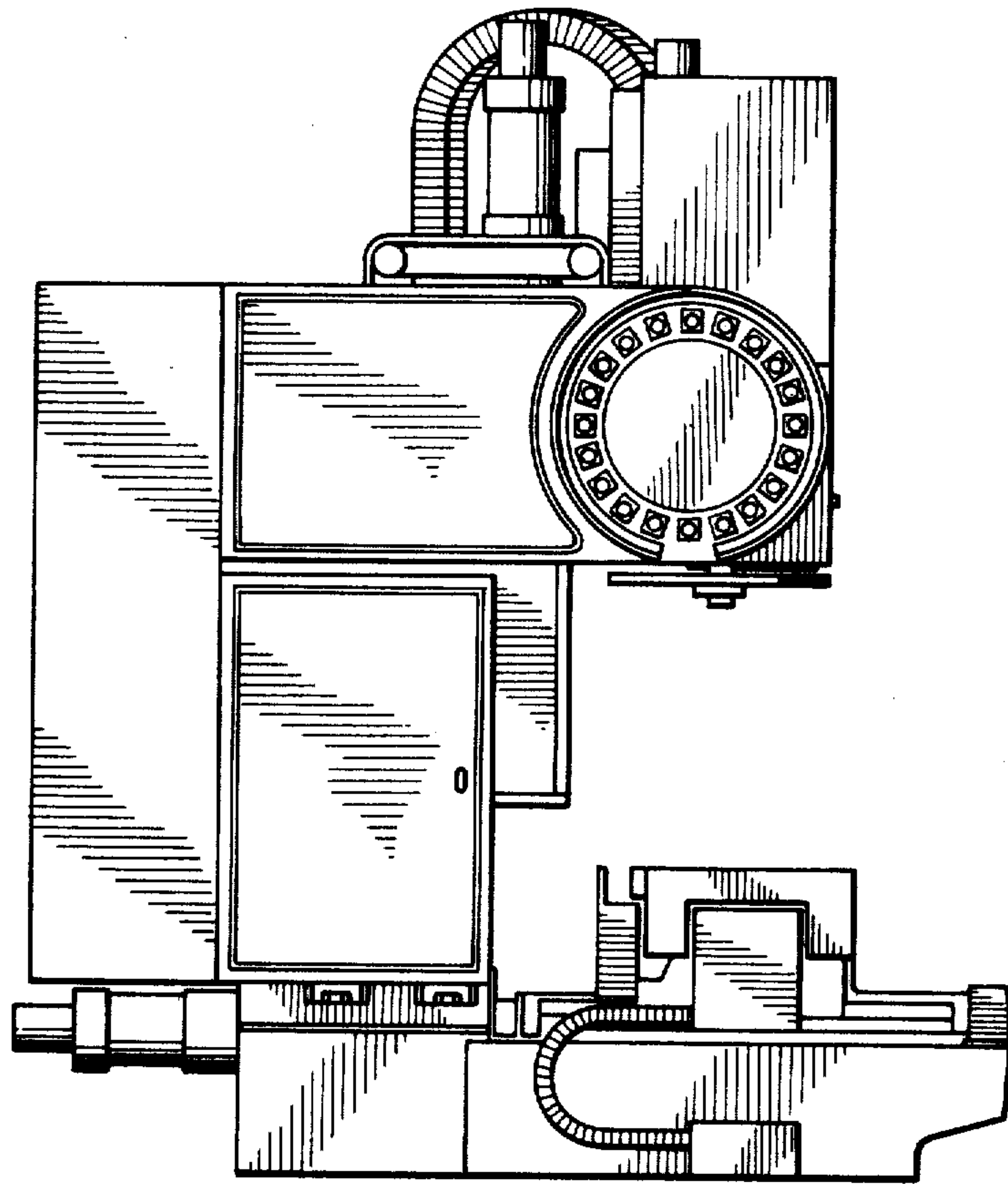


FIG. 2

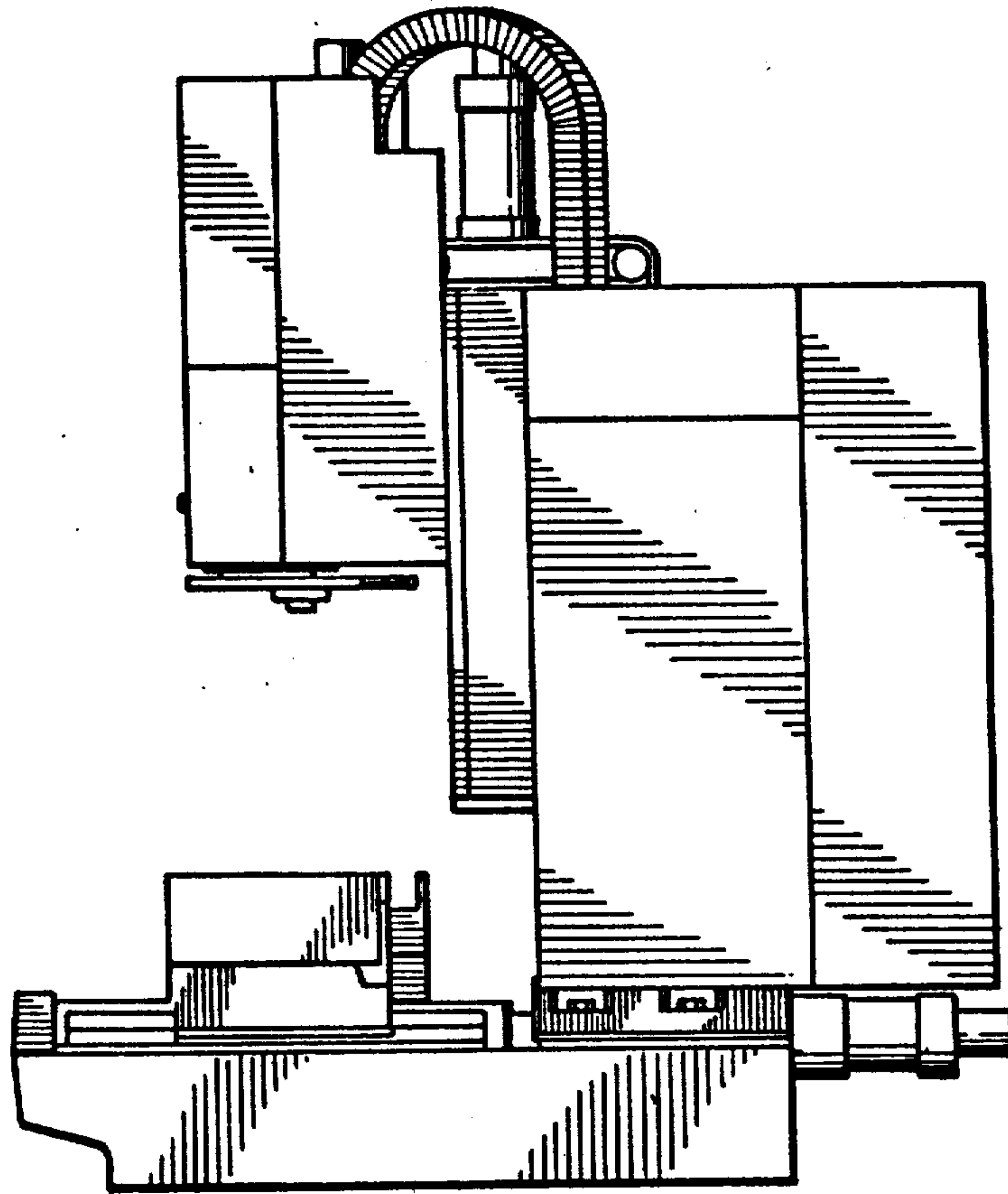


FIG. 3

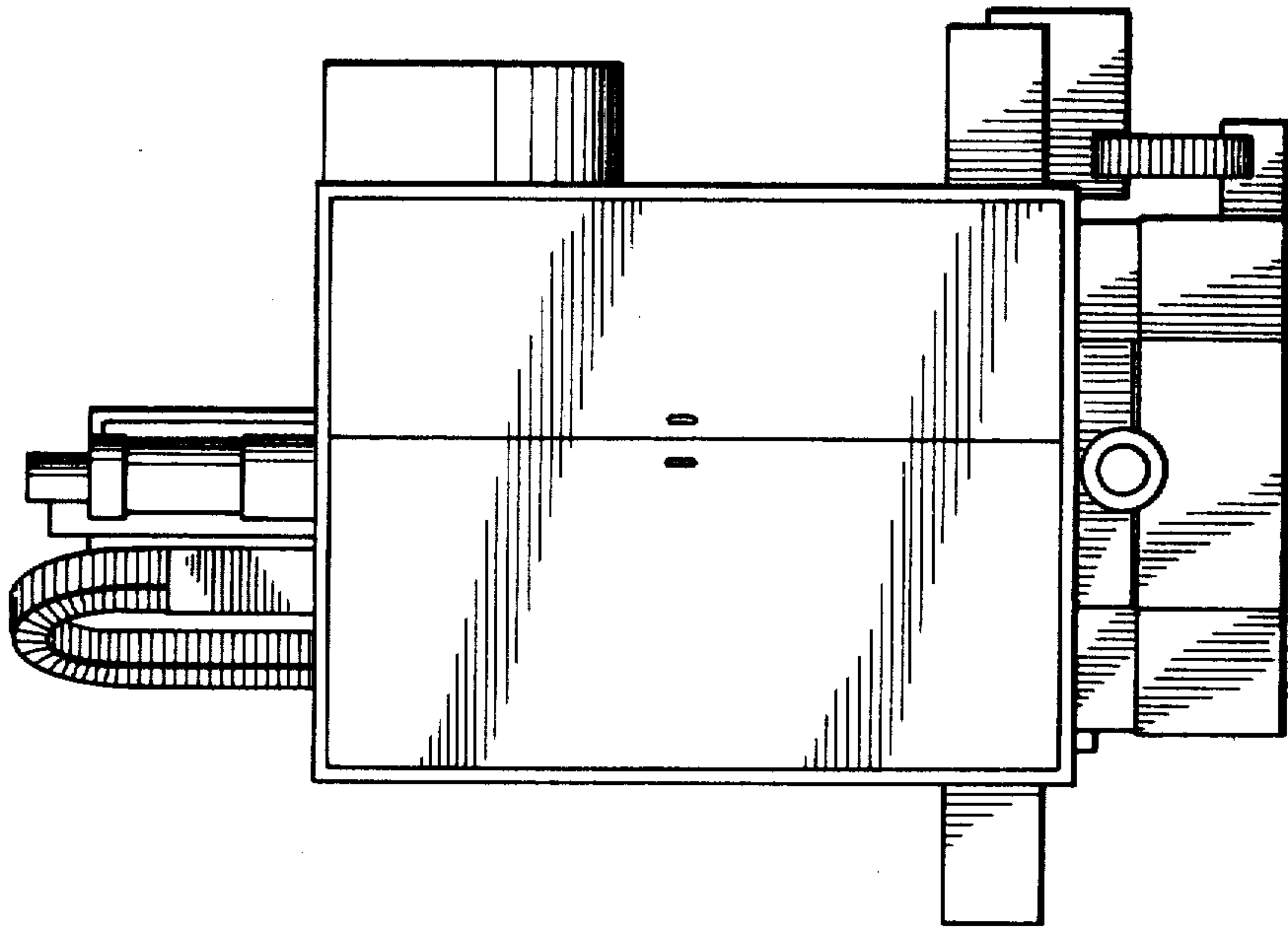


FIG. 5

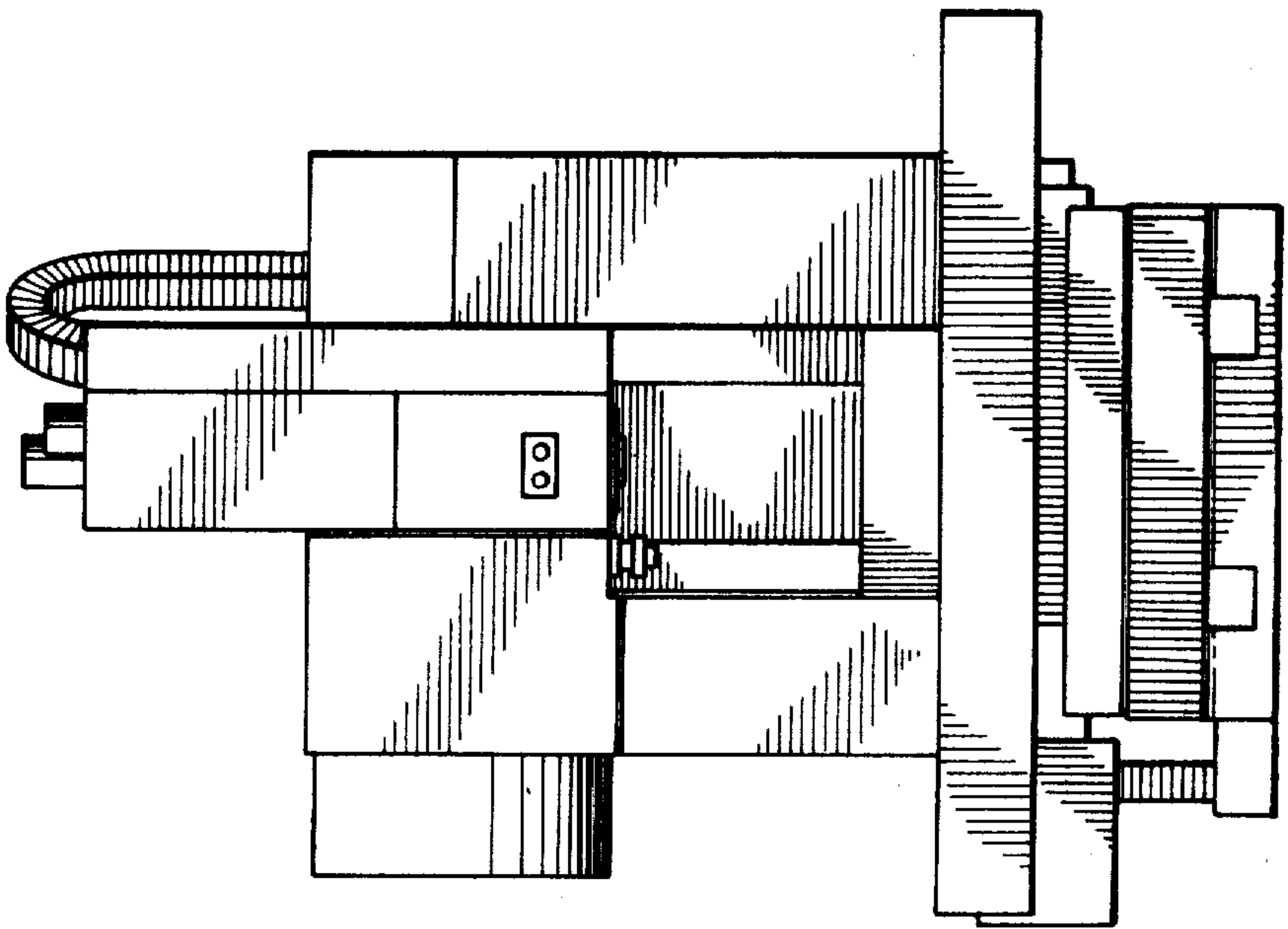


FIG. 4

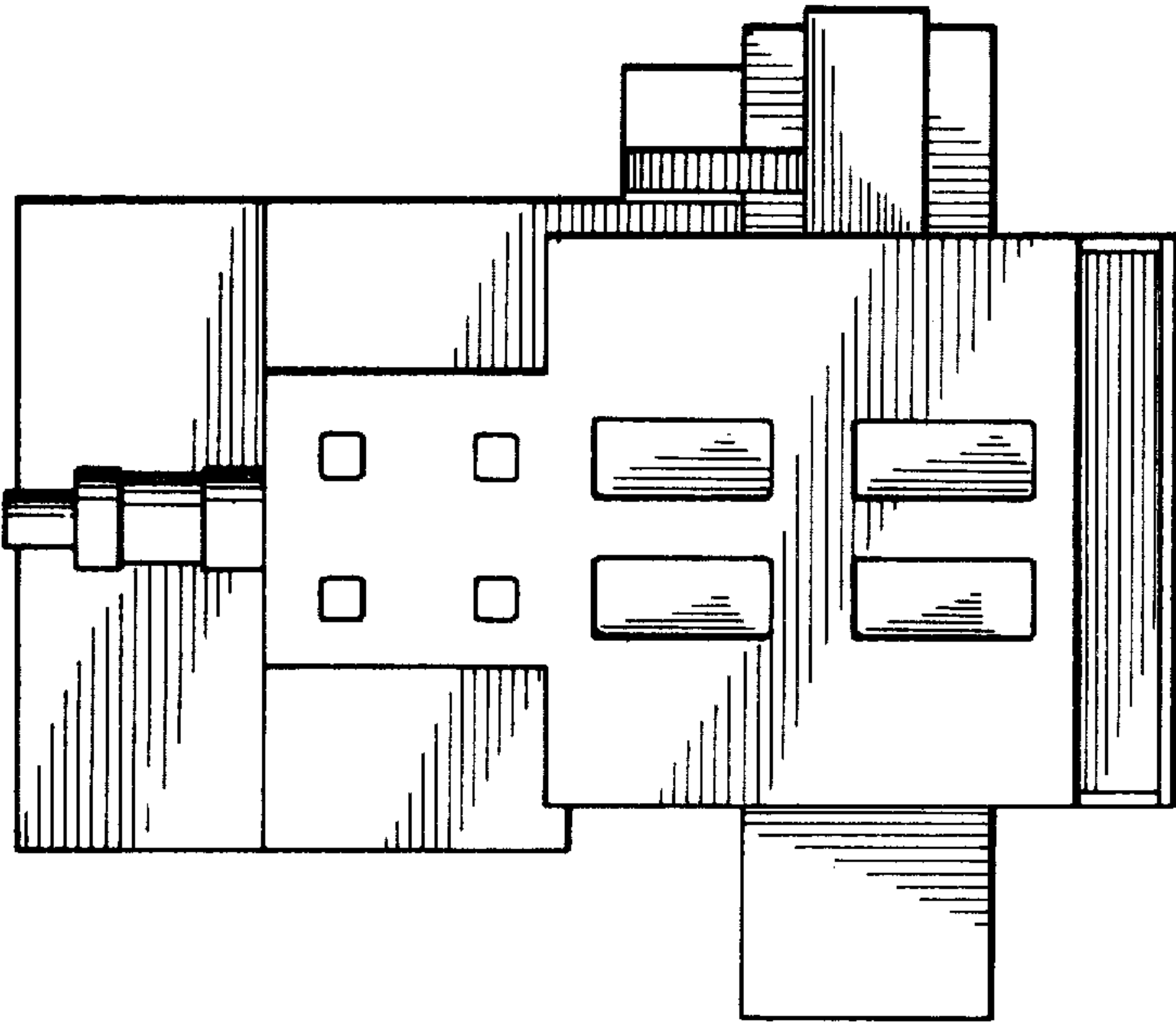


FIG. 7

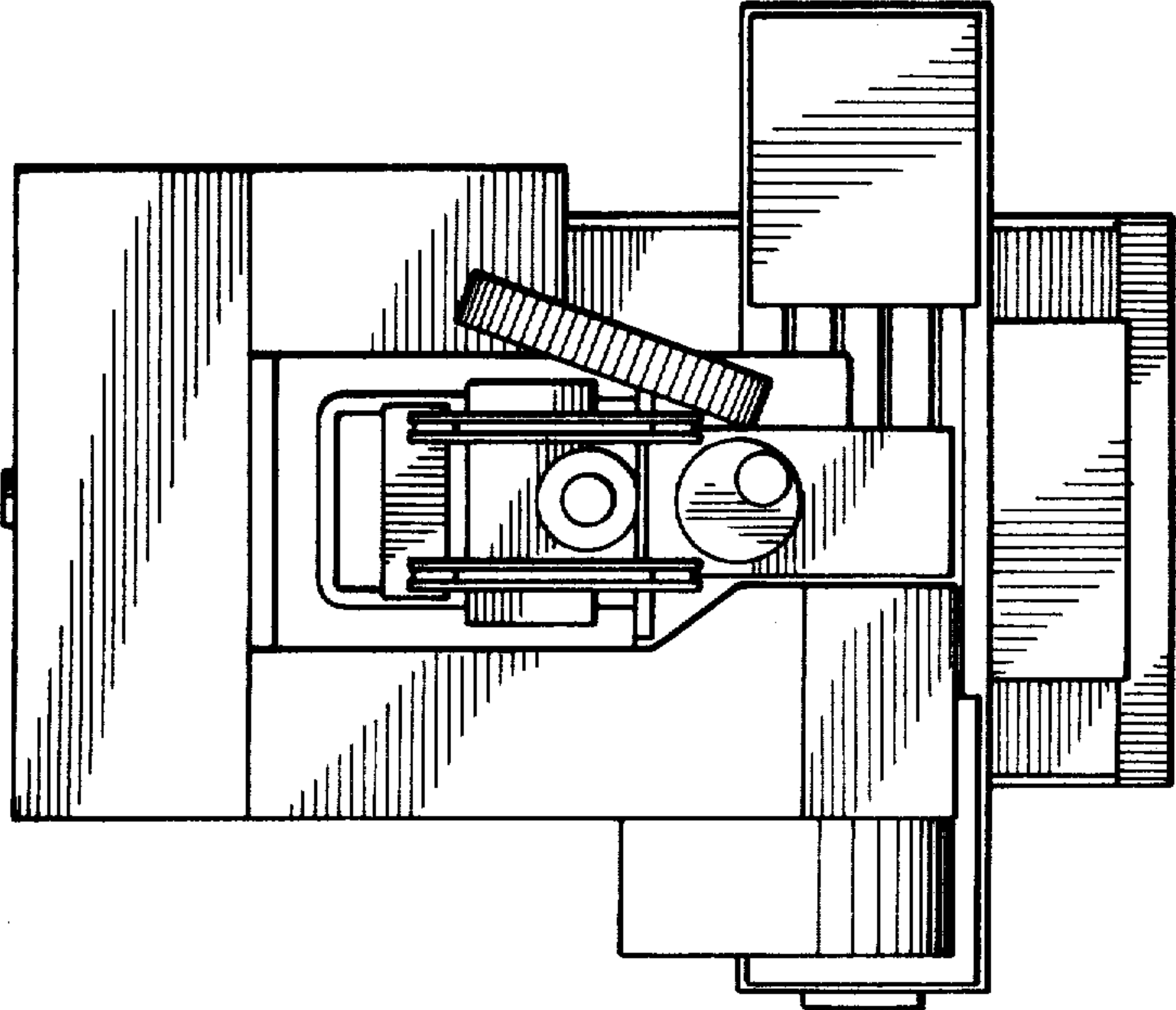


FIG. 6