

[54] **RADIO**

[75] **Inventor: Joseph F. Hills, Scottsdale, Ariz.**

[73] **Assignee: Jimmy's Radio & Television Corp., Phoenix, Ariz.**

[**] **Term: 14 Years**

[21] **Appl. No.: 100,472**

[22] **Filed: Dec. 5, 1979**

[51] **Int. Cl. D14-03**

[52] **U.S. Cl. D14/70; D14/5;
D14/7**

[58] **Field of Search D14/1, 5-7,
D14/34, 68-76, 99, 33**

[56]

References Cited

U.S. PATENT DOCUMENTS

- D. 143,334 12/1945 Marienthal D14/72
- D. 187,111 1/1960 Andre D14/69
- D. 227,486 6/1973 French et al. D14/1
- D. 229,350 11/1973 Alden D14/1
- D. 240,856 8/1976 Taguchi D14/73

Primary Examiner—Jane E. Corrigan
Attorney, Agent, or Firm—Cahill, Sutton & Thomas

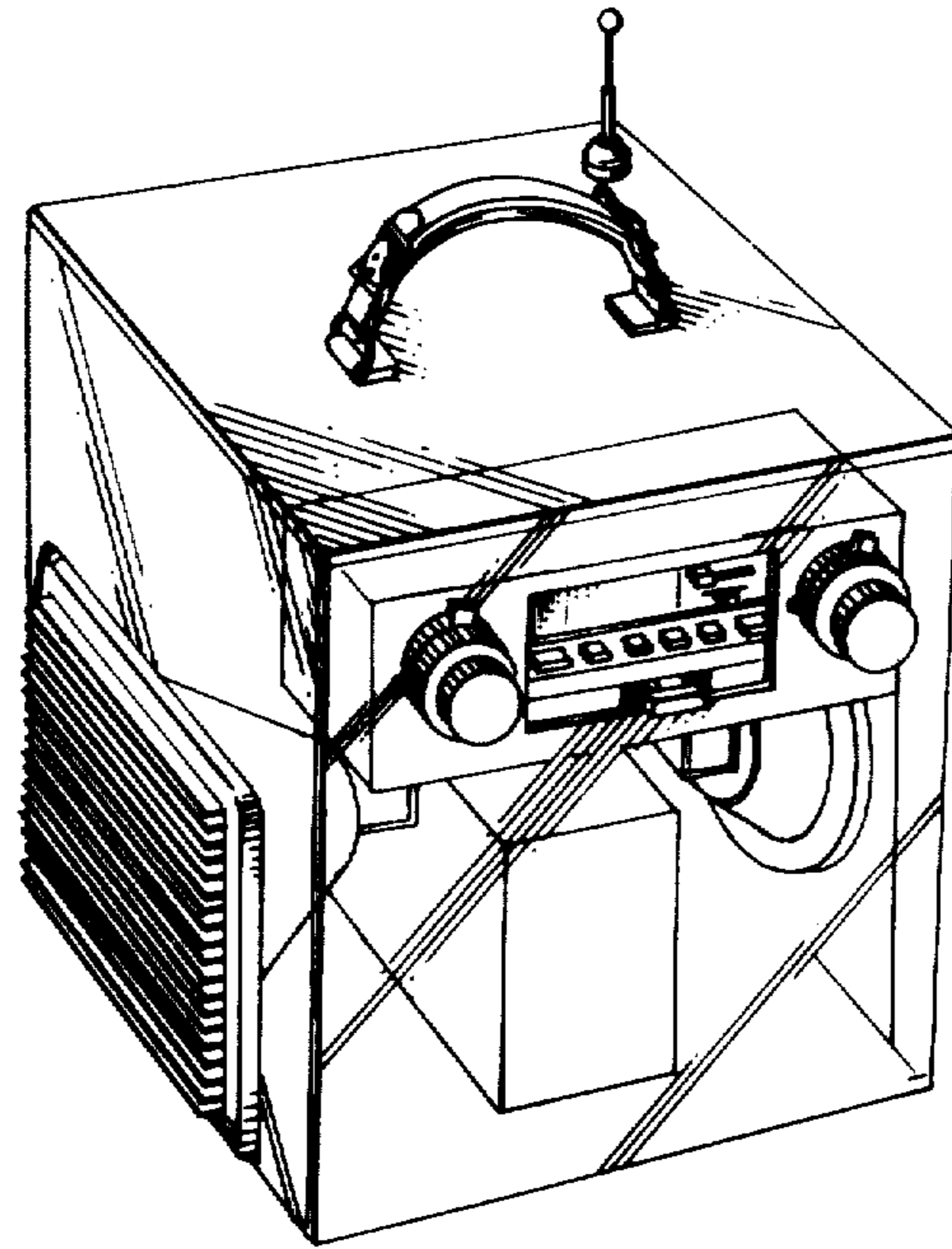
[57]

CLAIM

The ornamental design for a radio, as shown and described.

DESCRIPTION

FIG. 1 is a front, top and left side perspective view of a radio showing my new design;
FIG. 2 is a front elevational view;
FIG. 3 is a right side elevational view;
FIG. 4 is a rear elevational view; and
FIG. 5 is a bottom plan view.



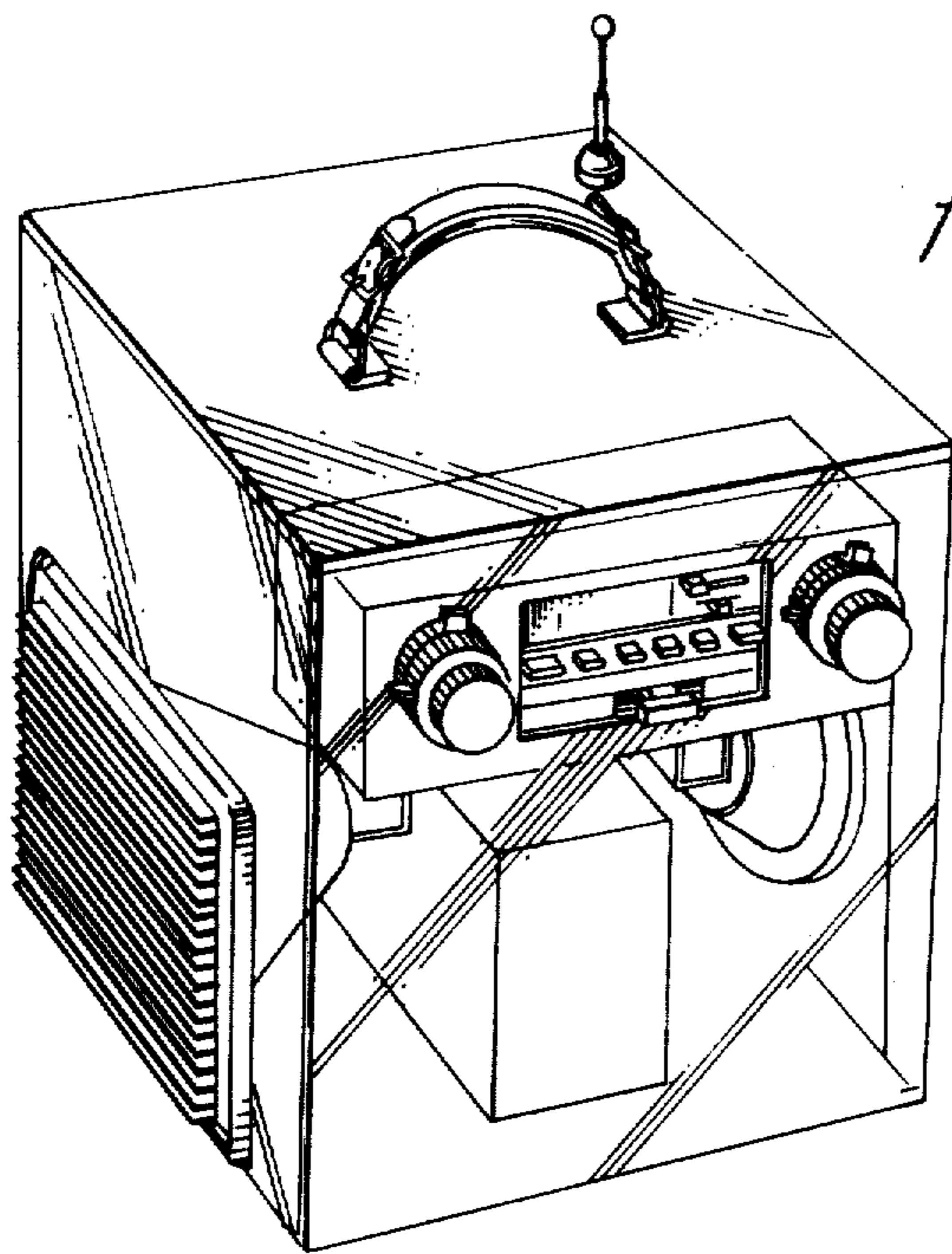


fig. 1

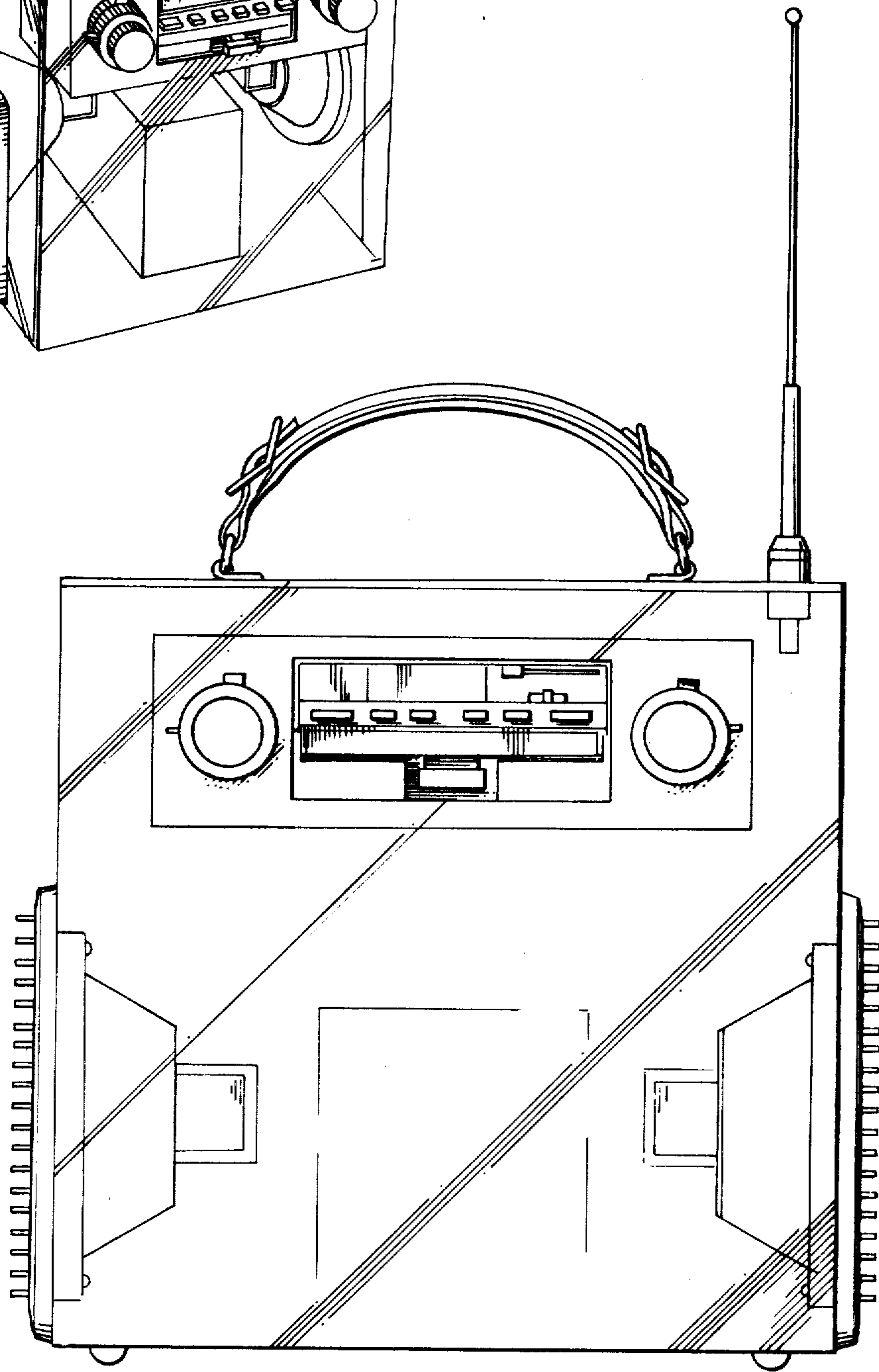


fig. 2

fig. 3

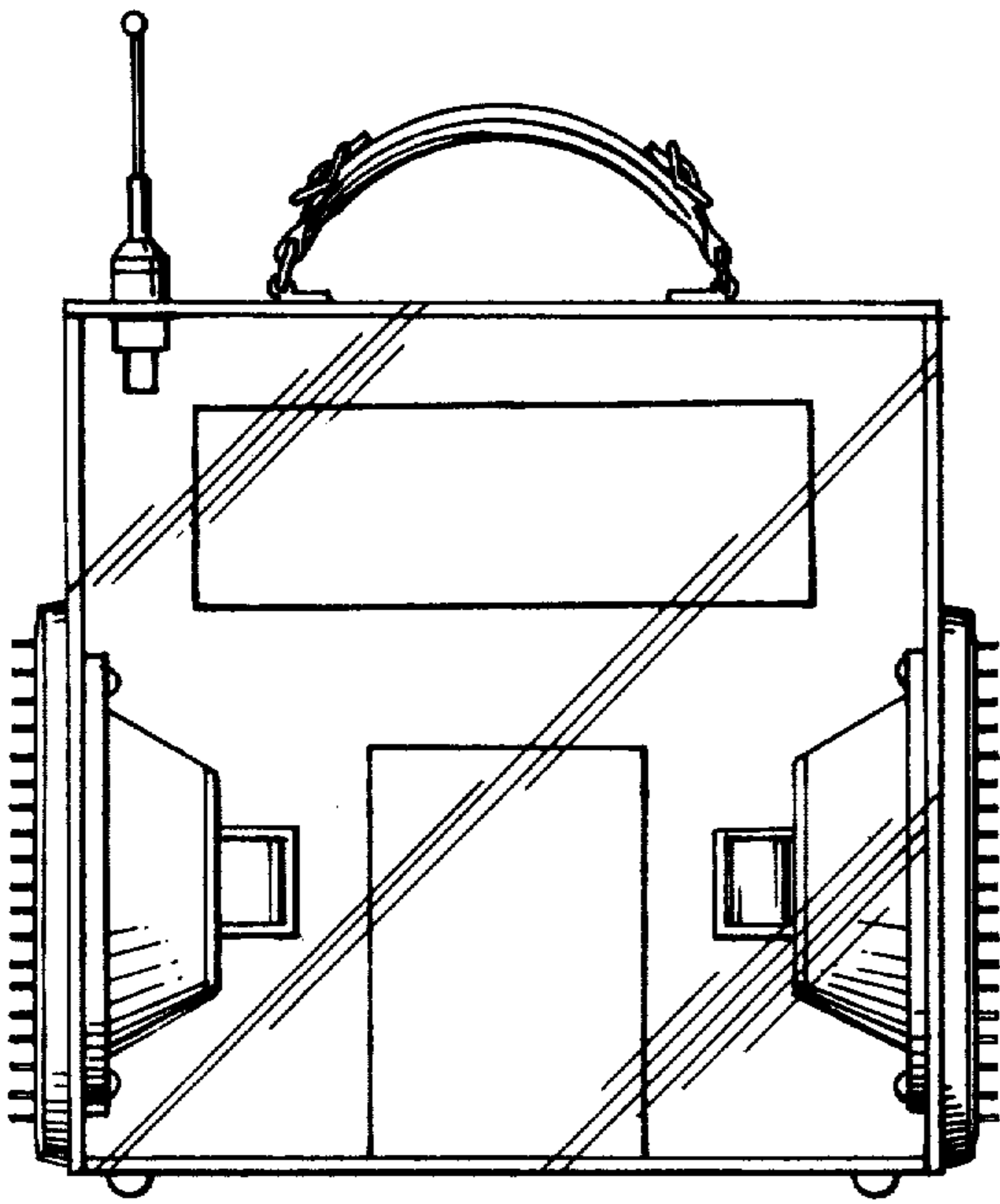
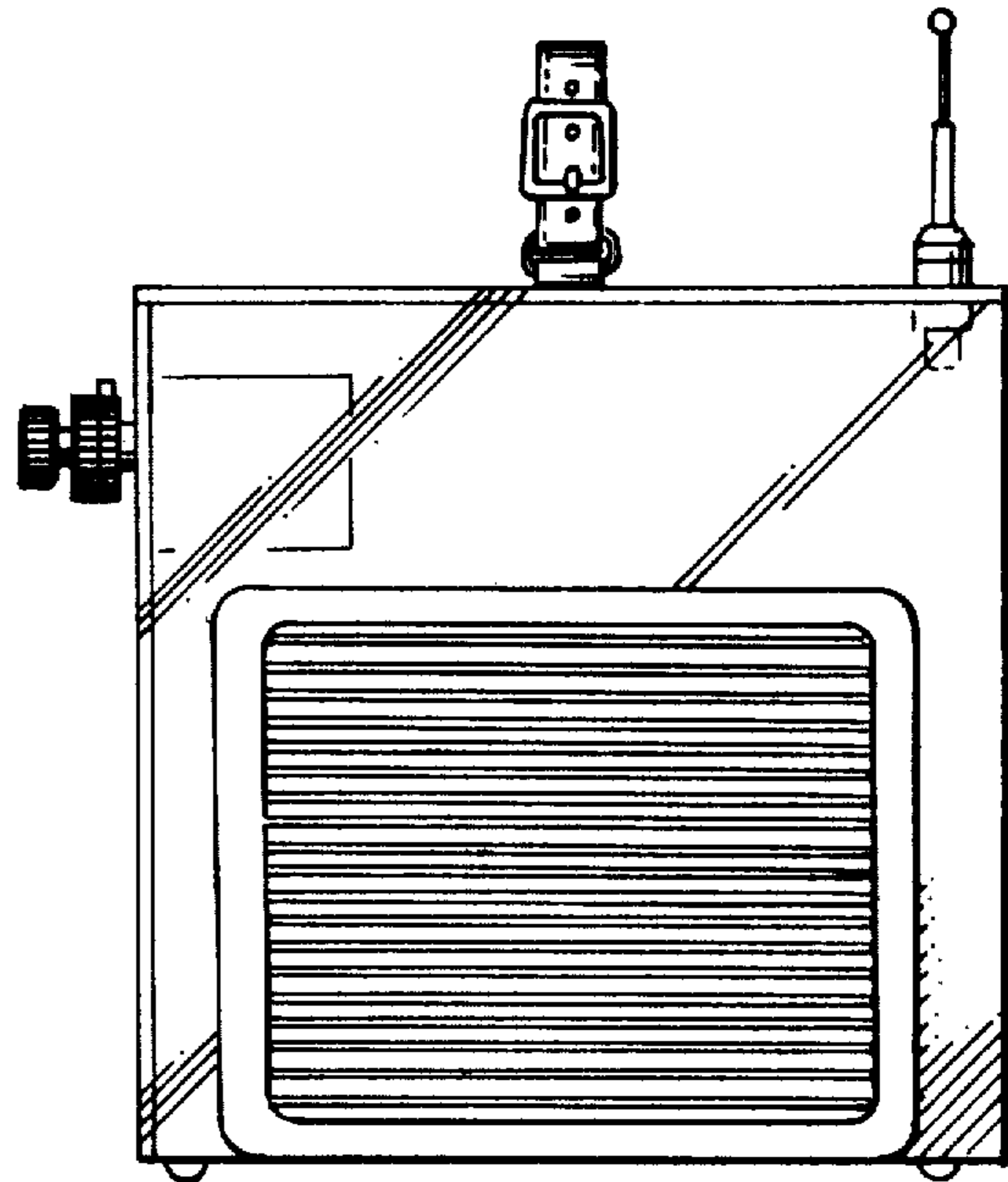


fig. 4

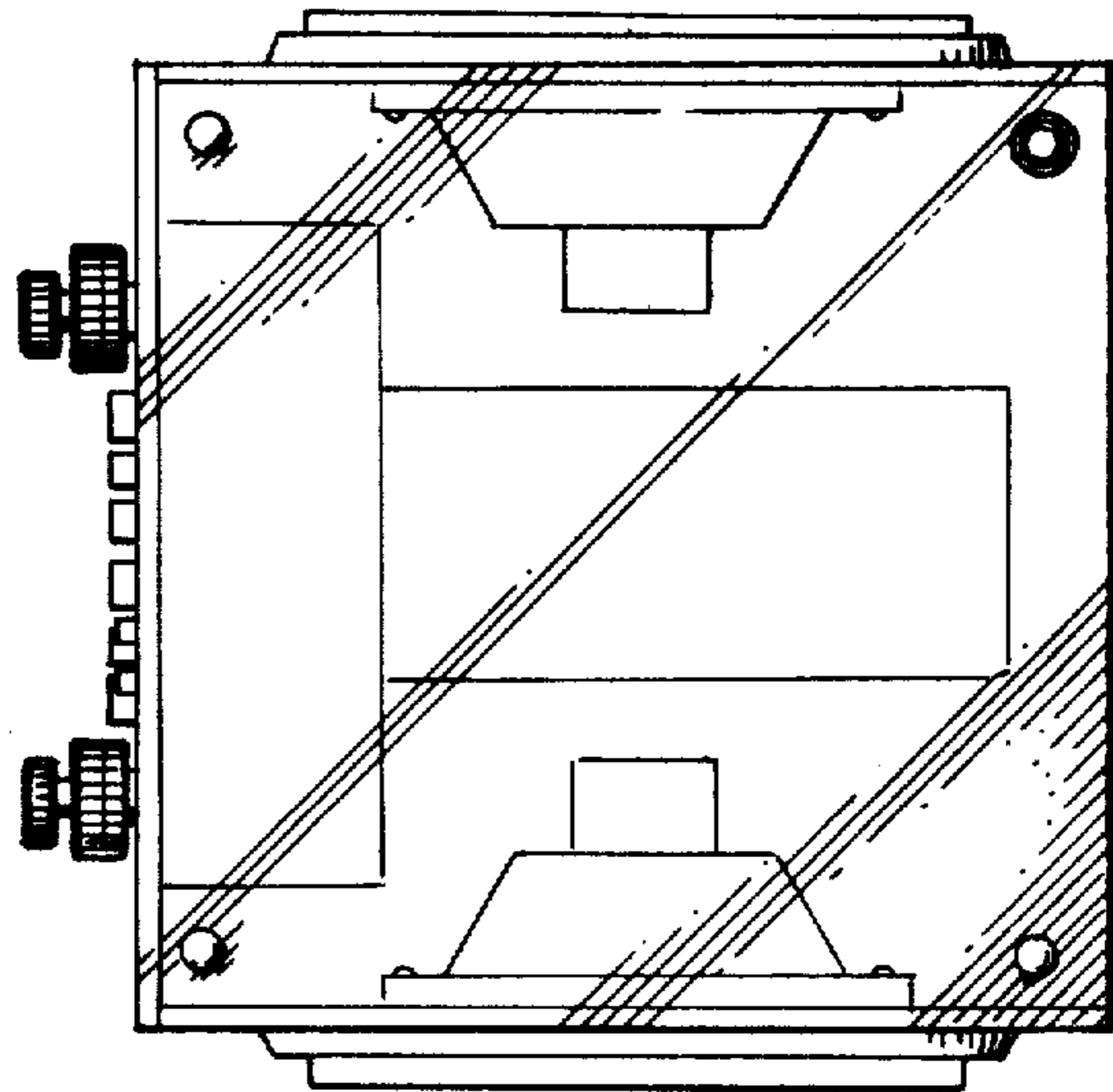


fig. 5