

[54] TELEPHONE

[76] Inventor: Wesley L. Thomas, 109 S. Catalina St., Los Angeles, Calif. 90004

[**] Term: 14 Years

[21] Appl. No.: 112,308

[22] Filed: Jan. 15, 1980

[51] Int. Cl. D14-03

[52] U.S. Cl. D14/53; D21/111

[58] Field of Search D14/53, 60; 179/100 R, 179/100 D, 178, 179; D21/111

[56] References Cited

U.S. PATENT DOCUMENTS

D. 9,211 4/1876 Oesterling et al. D7/9

D. 248,556 7/1978 Thomas D14/53
D. 250,023 10/1978 Thomas D14/53
4,087,650 5/1978 Tucker 179/100 D

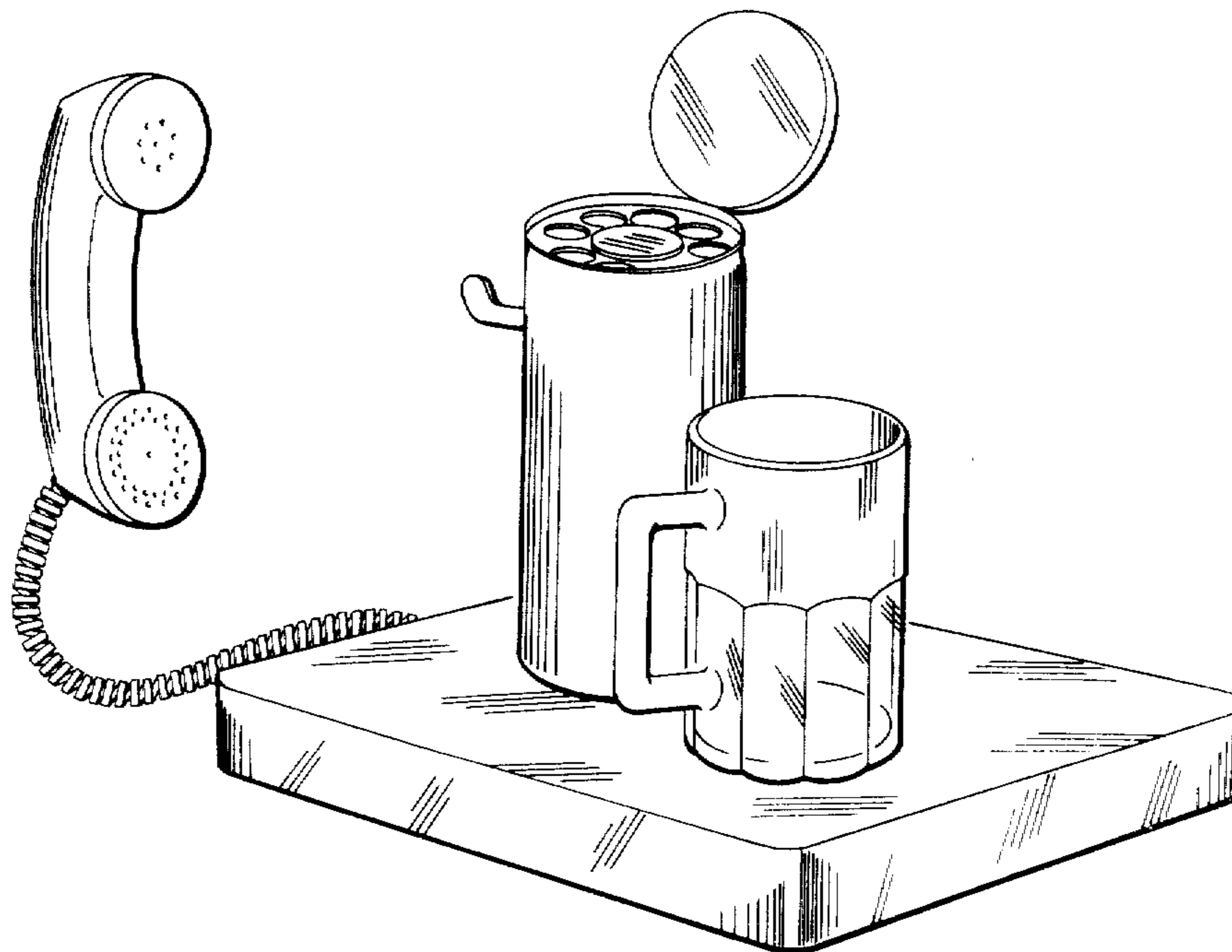
Primary Examiner—Bernard Ansher
Attorney, Agent, or Firm—Keith D. Beecher

[57] CLAIM

The ornamental design for a telephone, substantially as shown and described.

DESCRIPTION

FIG. 1 is a top plan view of a telephone showing my new design;
FIG. 2 is a side view;
FIG. 3 is an end view; and
FIG. 4 is a perspective view showing portions of the design in open and displaced positions to reveal further features of the design for clarity of illustration.



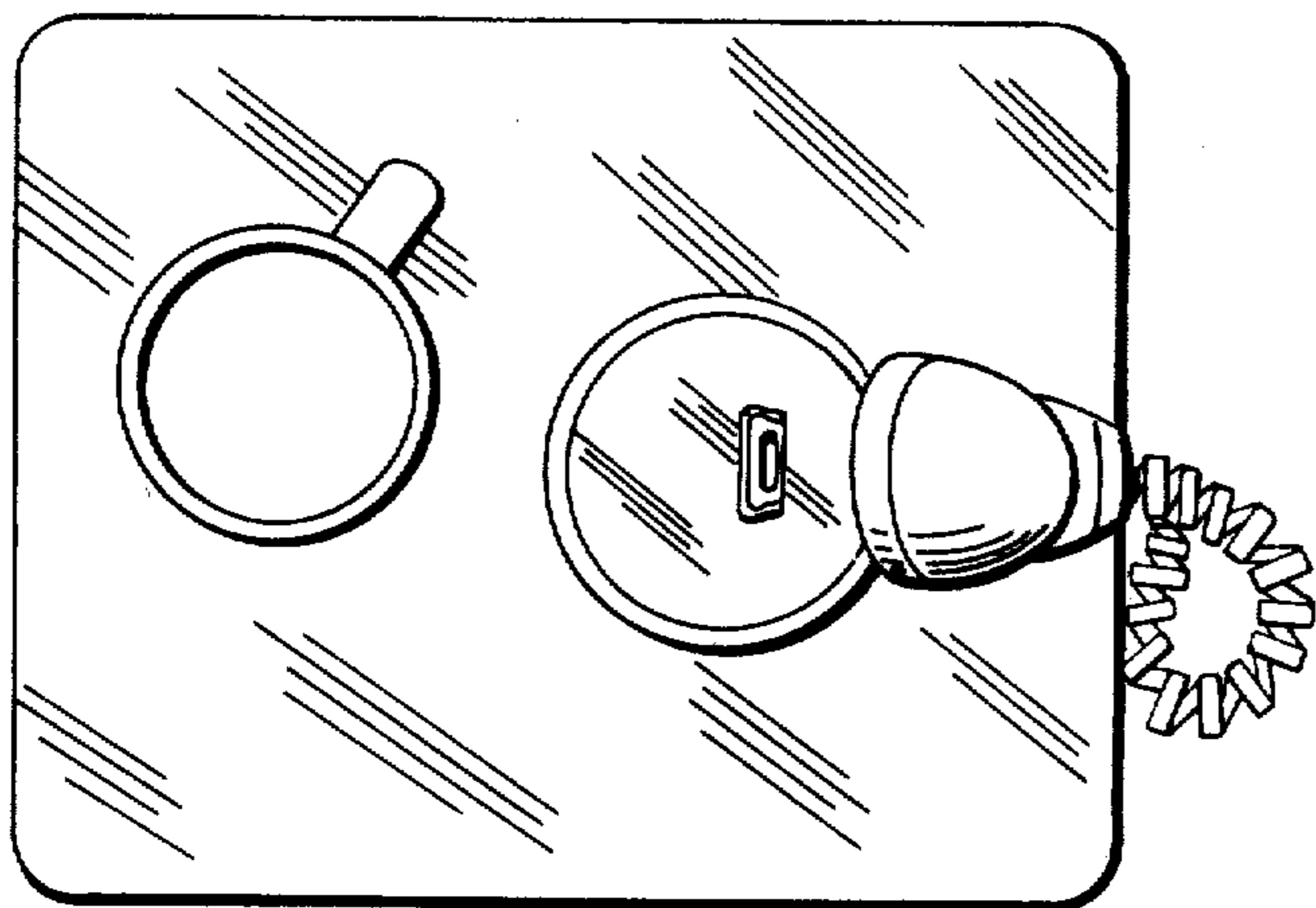


FIG. 1

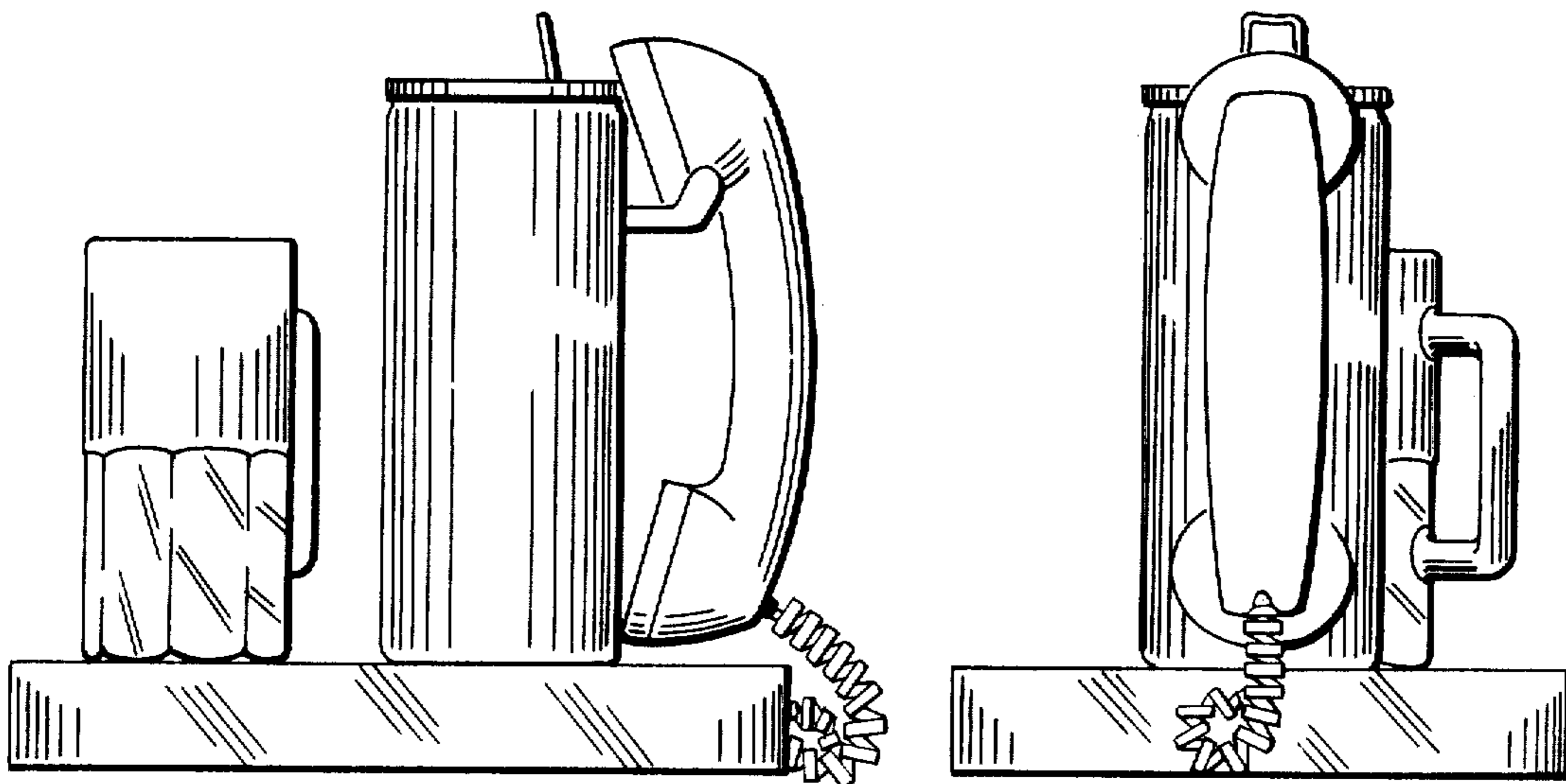


FIG. 2

FIG. 3

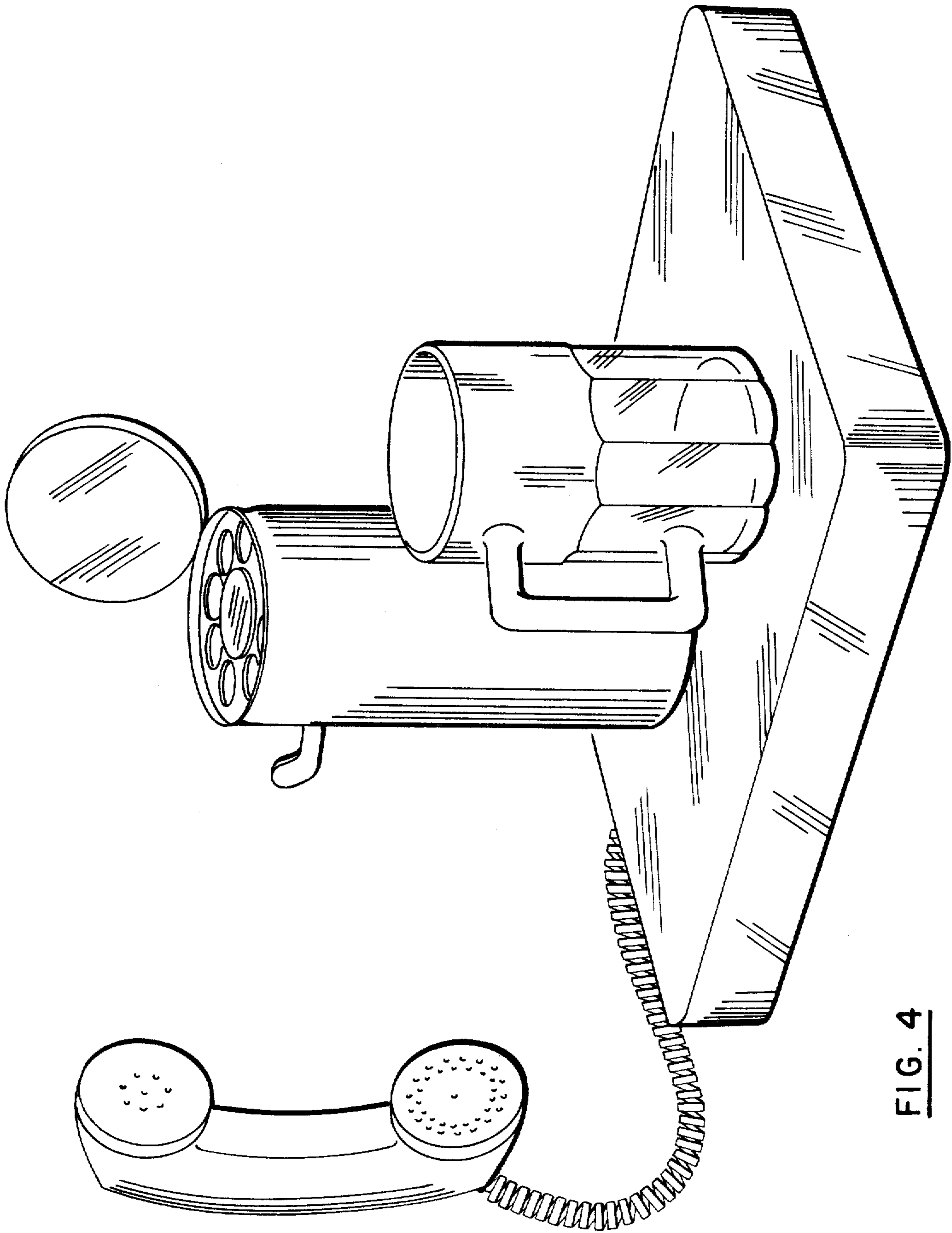


FIG. 4