

[54] TIE DOWN BRACKET FOR A LUGGAGE RACK

[75] Inventor: Charles E. Ingram, Warren, Mich.

[73] Assignee: Four Star Corporation, Troy, Mich.

[**] Term: 14 Years

[21] Appl. No.: 939,905

[22] Filed: Sep. 5, 1978

[51] Int. Cl. D12-16

[52] U.S. Cl. D12/157

[58] Field of Search D12/157; D8/382, 383, D8/356; 224/310, 321, 323-326, 329, 331, 315; 248/499, 500; 24/265 CD

[56] References Cited

U.S. PATENT DOCUMENTS

4,132,335 1/1979 Ingram D8/382

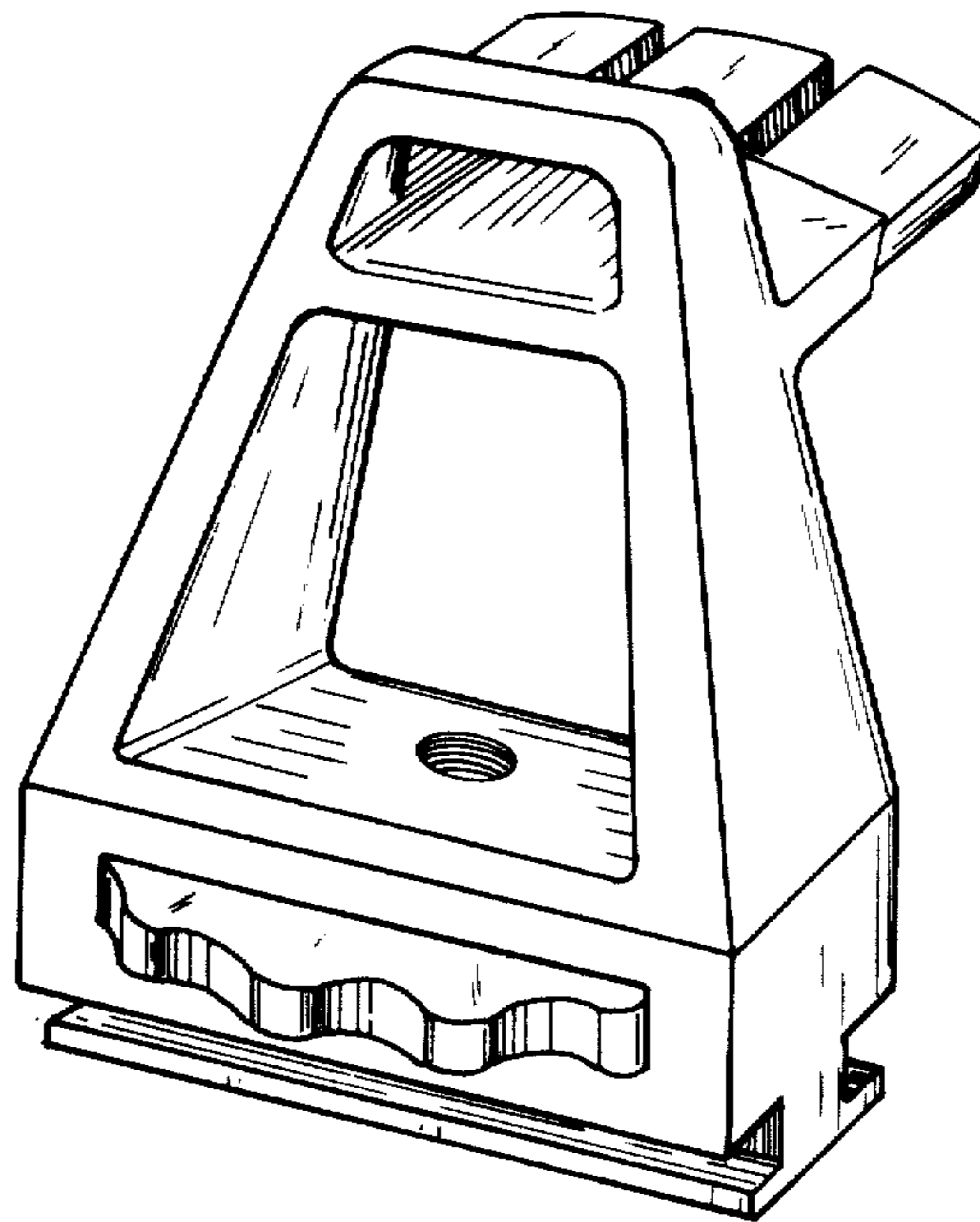
Primary Examiner—James M. Gandy
Attorney, Agent, or Firm—Reising, Ethington, Barnard, Perry & Brooks

[57] CLAIM

The ornamental design for a tie down bracket for a luggage rack, as shown and described herein.

DESCRIPTION

FIG. 1 is a perspective, frontal view of a tie down bracket for a luggage rack showing my new design; FIG. 2 is a top plan view thereof; FIG. 3 is a bottom plan view thereof; FIG. 4 is a front elevational view thereof; FIG. 5 is a side elevational view thereof; FIG. 6 is a rear elevational view thereof, and FIG. 7 is a side elevational view thereof as seen from the side opposite that of FIG. 5.



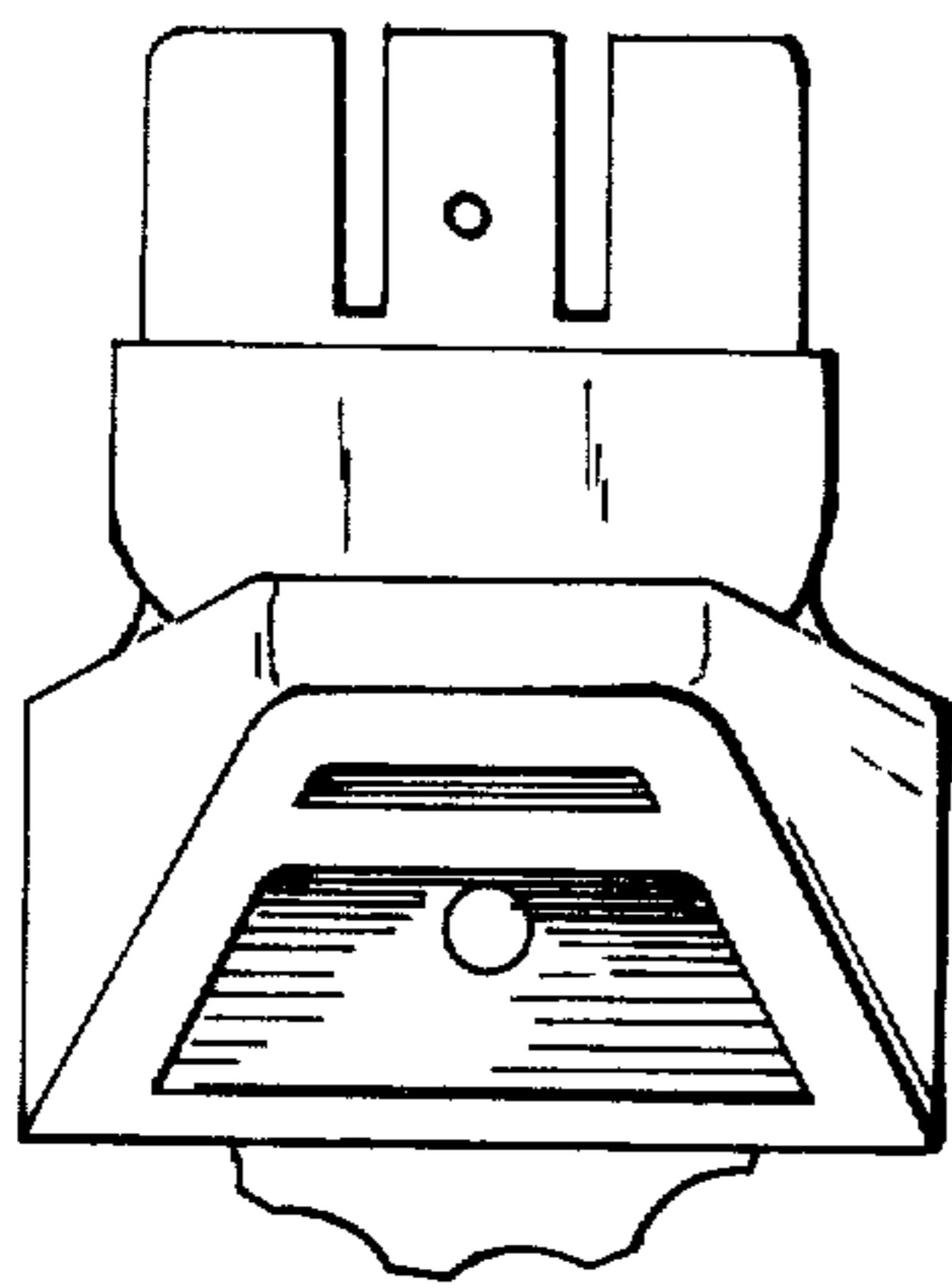


FIG-2

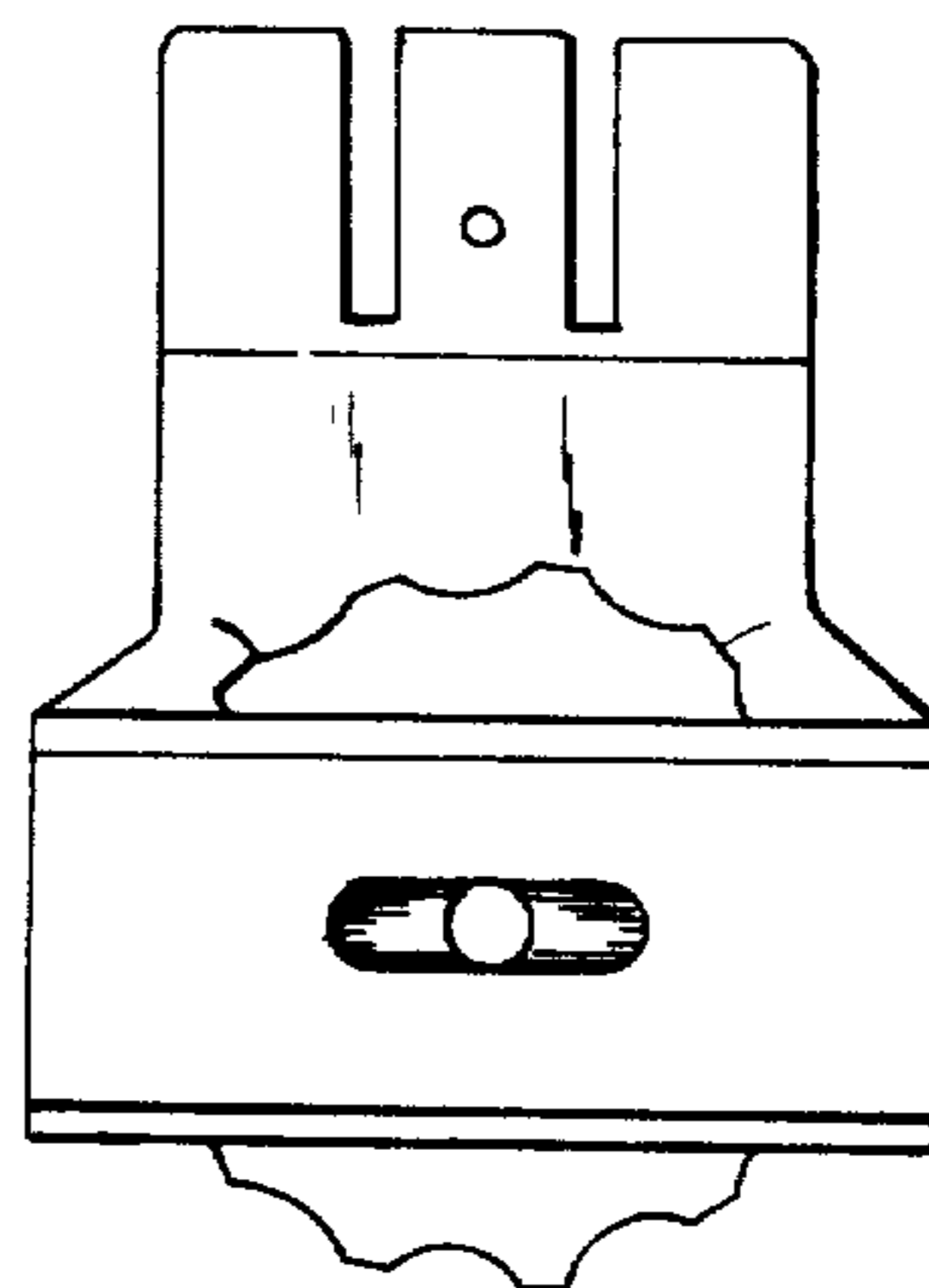


FIG-3

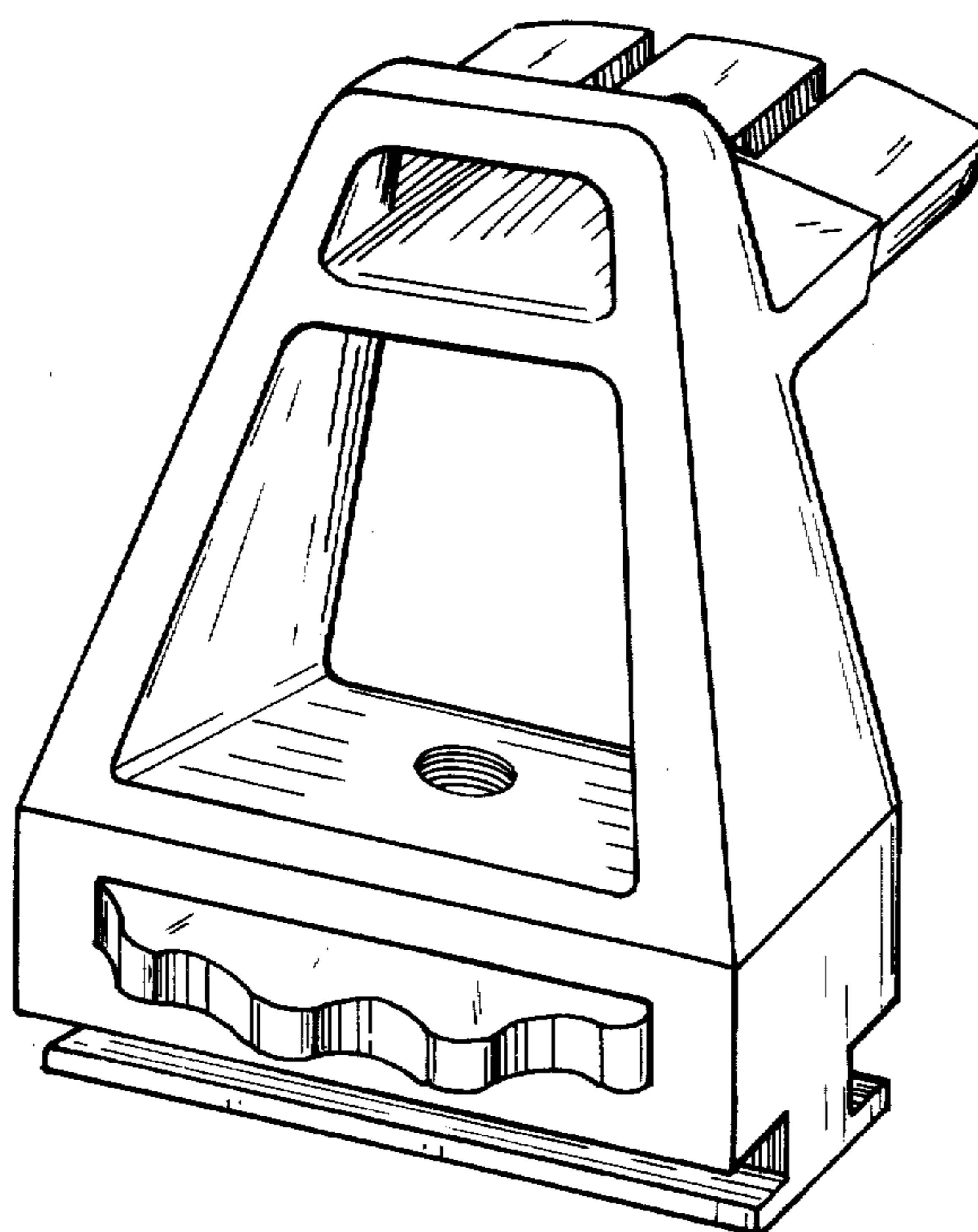


FIG-1

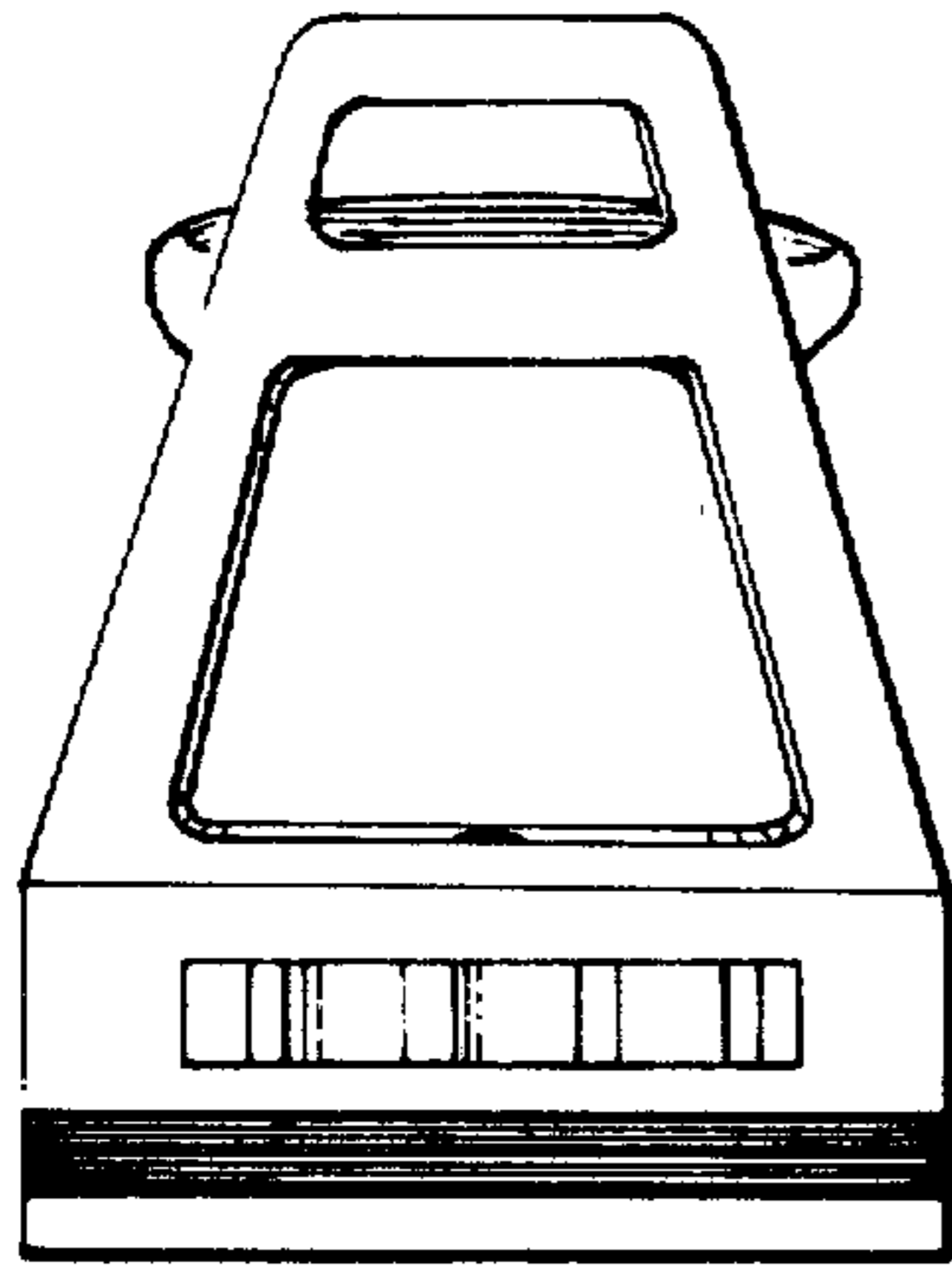


FIG-4

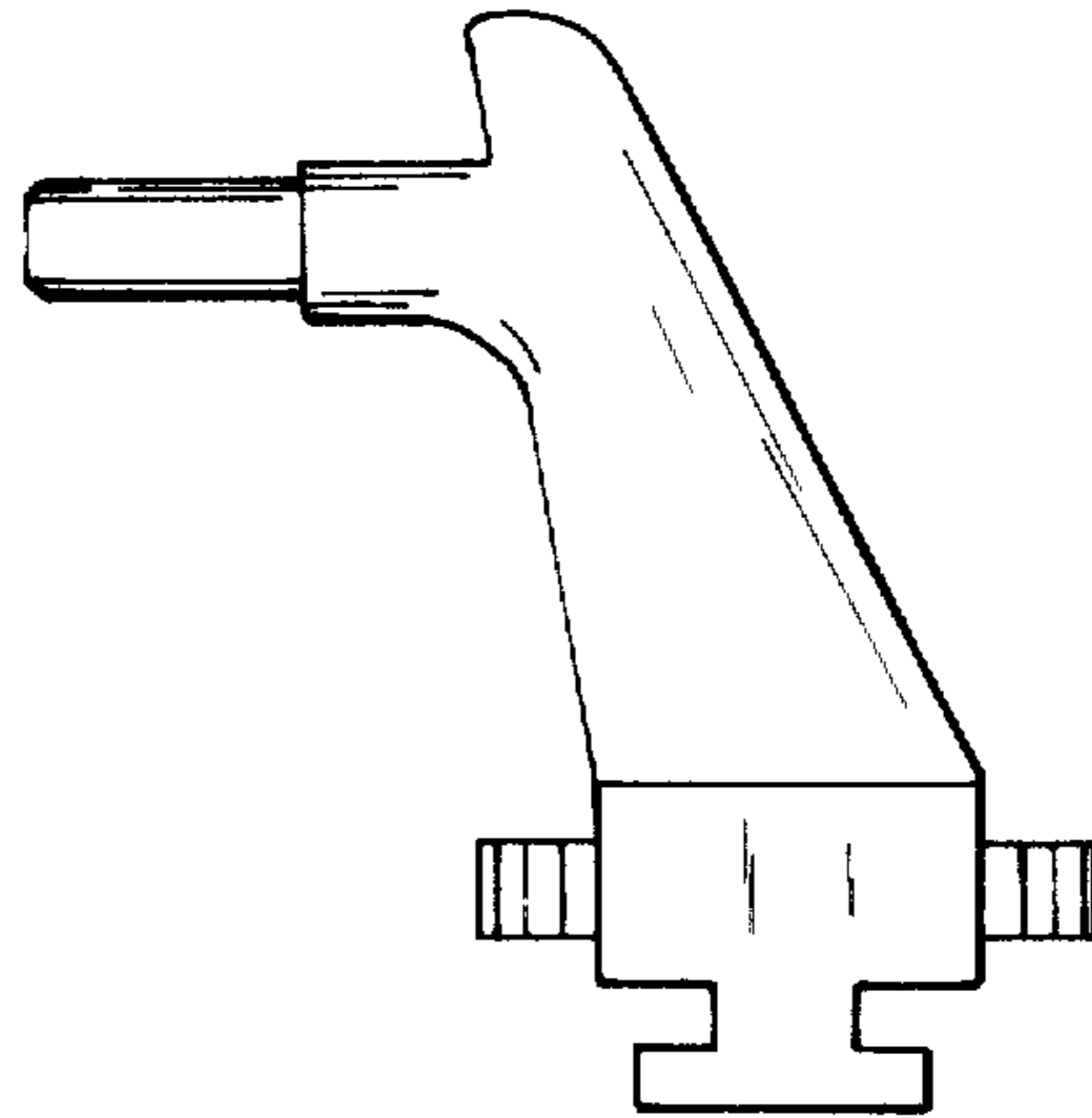


FIG-5

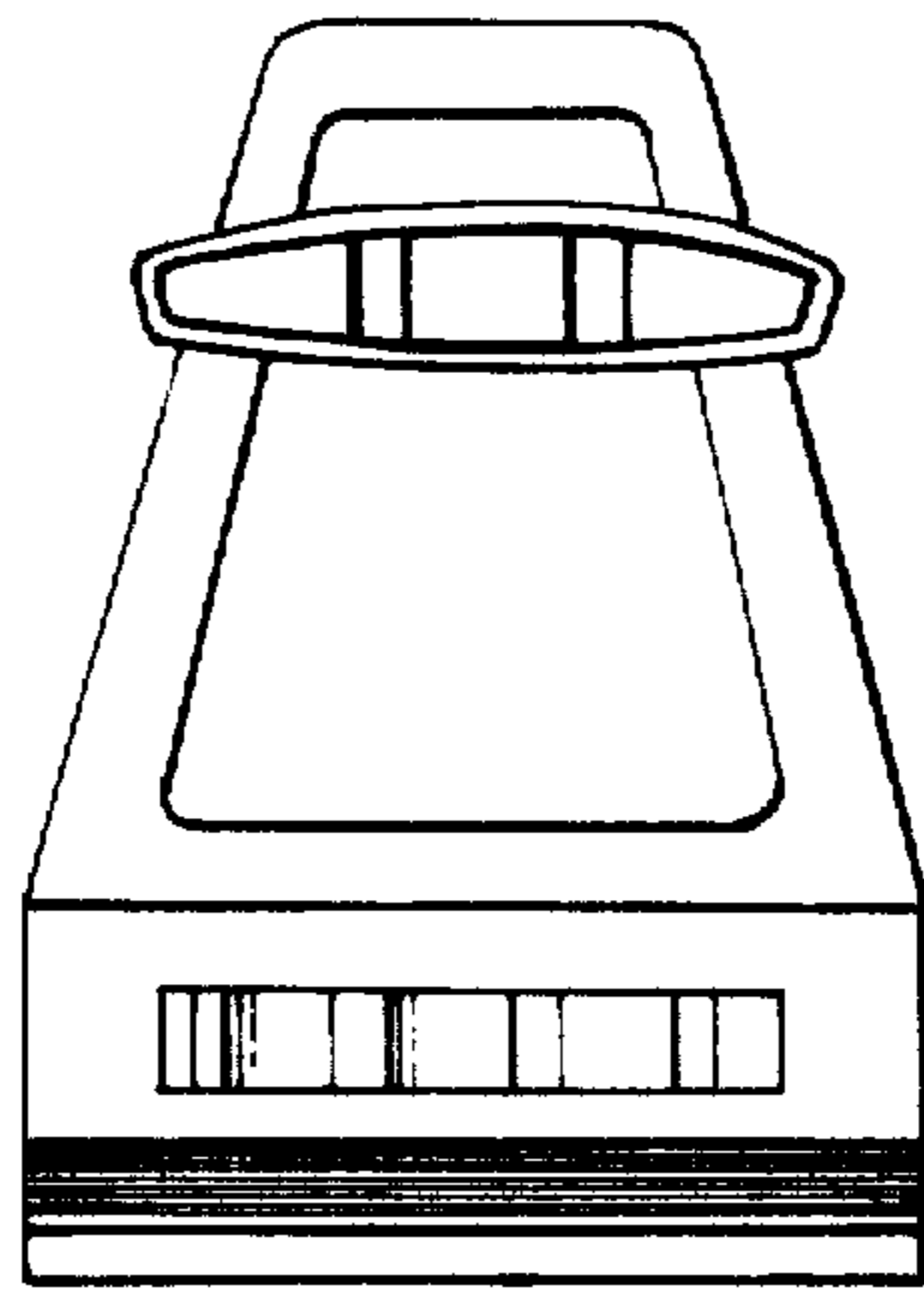


FIG-6

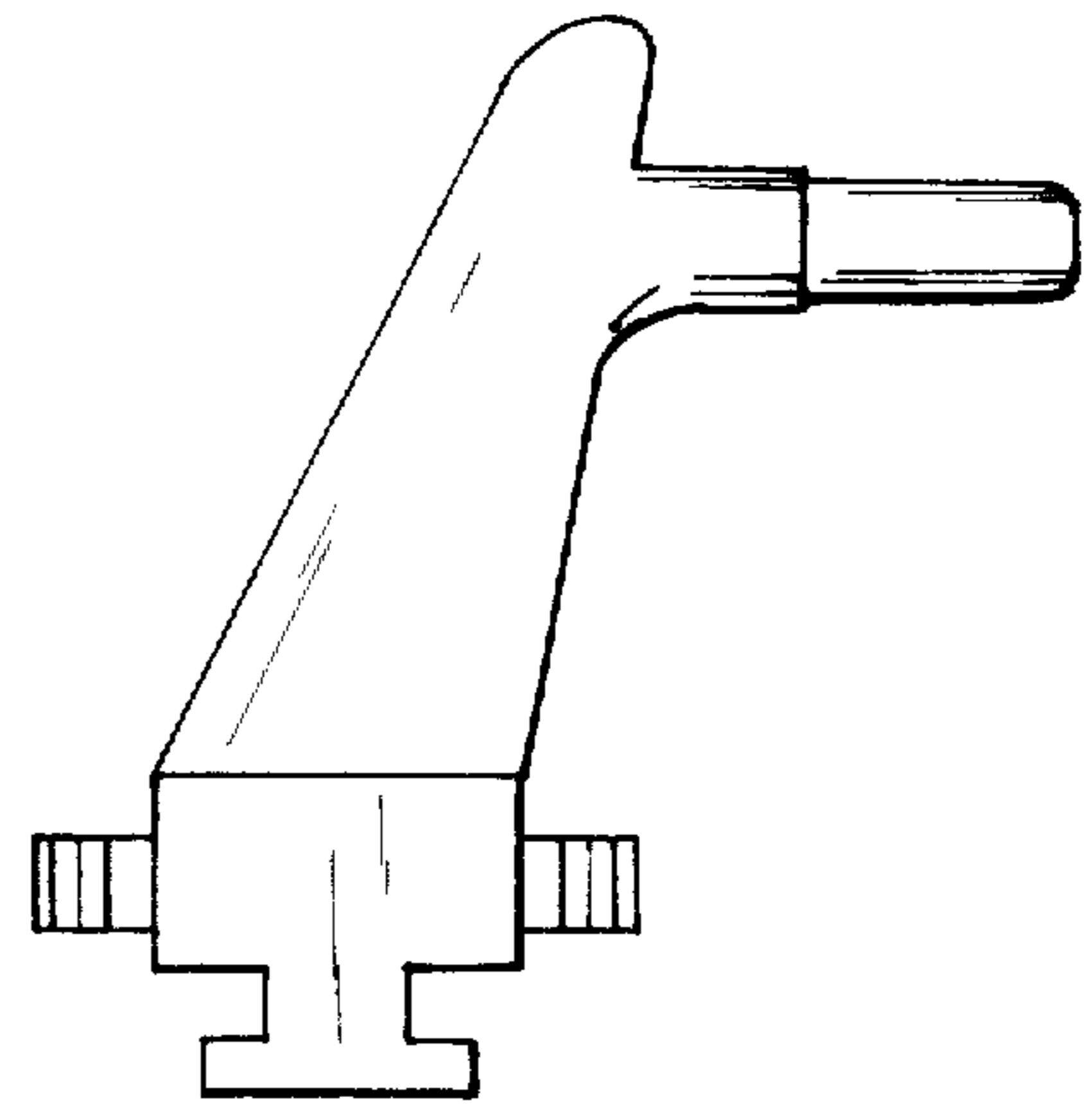


FIG-7