

[54] COMBINED HANDLEBAR MOUNTED CAN HOLDER AND LID

[76] Inventors: Herman L. Sinkhorn, King City, Mo. 64463; George T. Sinkhorn, Rte. 1 Box 1B, Mound City, Mo. 64470

[**] Term: 14 Years

[21] Appl. No.: 168,588

[22] Filed: Jul. 14, 1980

[51] Int. Cl. D12-11

[52] U.S. Cl. D12/114; D7/70

[58] Field of Search D12/114, 158; D7/70; D6/93, 125, 130; 224/35, 36, 41; 211/60 R, 75; 248/311.2, 313

[56] References Cited

U.S. PATENT DOCUMENTS

- D. 232,797 9/1974 Doolittle D7/70
- D. 239,868 5/1976 Pinsler et al. D12/114
- 591,390 10/1897 Dunnigan 224/36
- 728,115 5/1903 Killey 248/311.2

- 1,134,577 4/1915 Apple 224/36
- 1,464,789 8/1923 Ward 248/313
- 2,209,846 7/1940 Pawsat 224/36
- 2,532,244 11/1950 Pasmore D7/70
- 2,955,893 10/1960 Dorval 248/311.2
- 4,071,175 1/1978 Wagnon 224/36

Primary Examiner—James M. Gandy
Attorney, Agent, or Firm—Kokjer, Kircher, Bradley, Wharton, Bowman & Johnson

[57] CLAIM

The ornamental design for a combined handlebar mounted can holder and lid, as shown and described.

DESCRIPTION

FIG. 1 is a perspective view of a combined handlebar mounted can holder and lid showing our new design; FIG. 2 is a side elevational view thereof taken from one side, the opposite side appearing as substantially a mirror image; FIG. 3 is a front elevational view thereof; FIG. 4 is a rear elevational view thereof; FIG. 5 is a top plan view thereof; and FIG. 6 is a bottom plan view thereof.

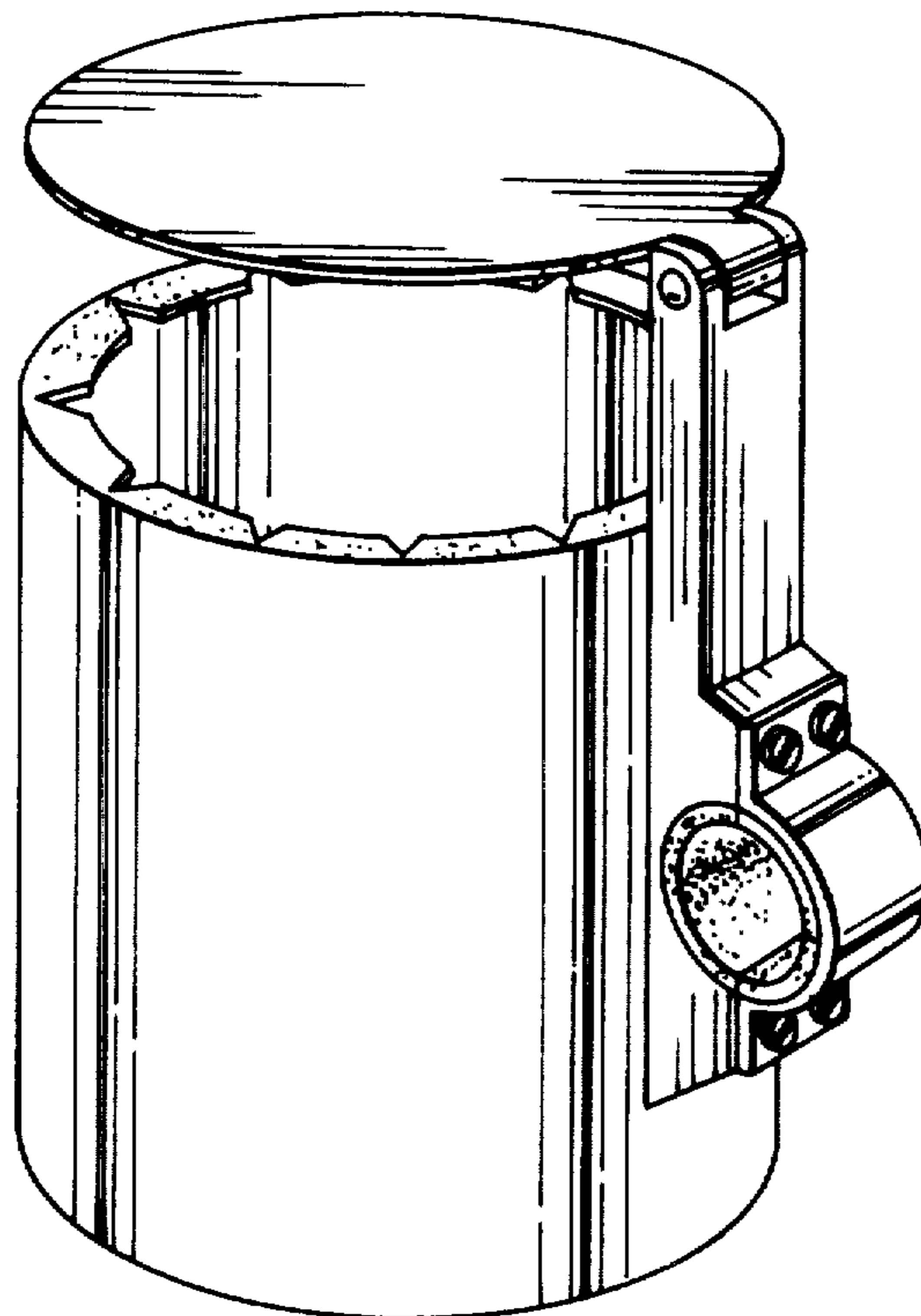


Fig. 1.

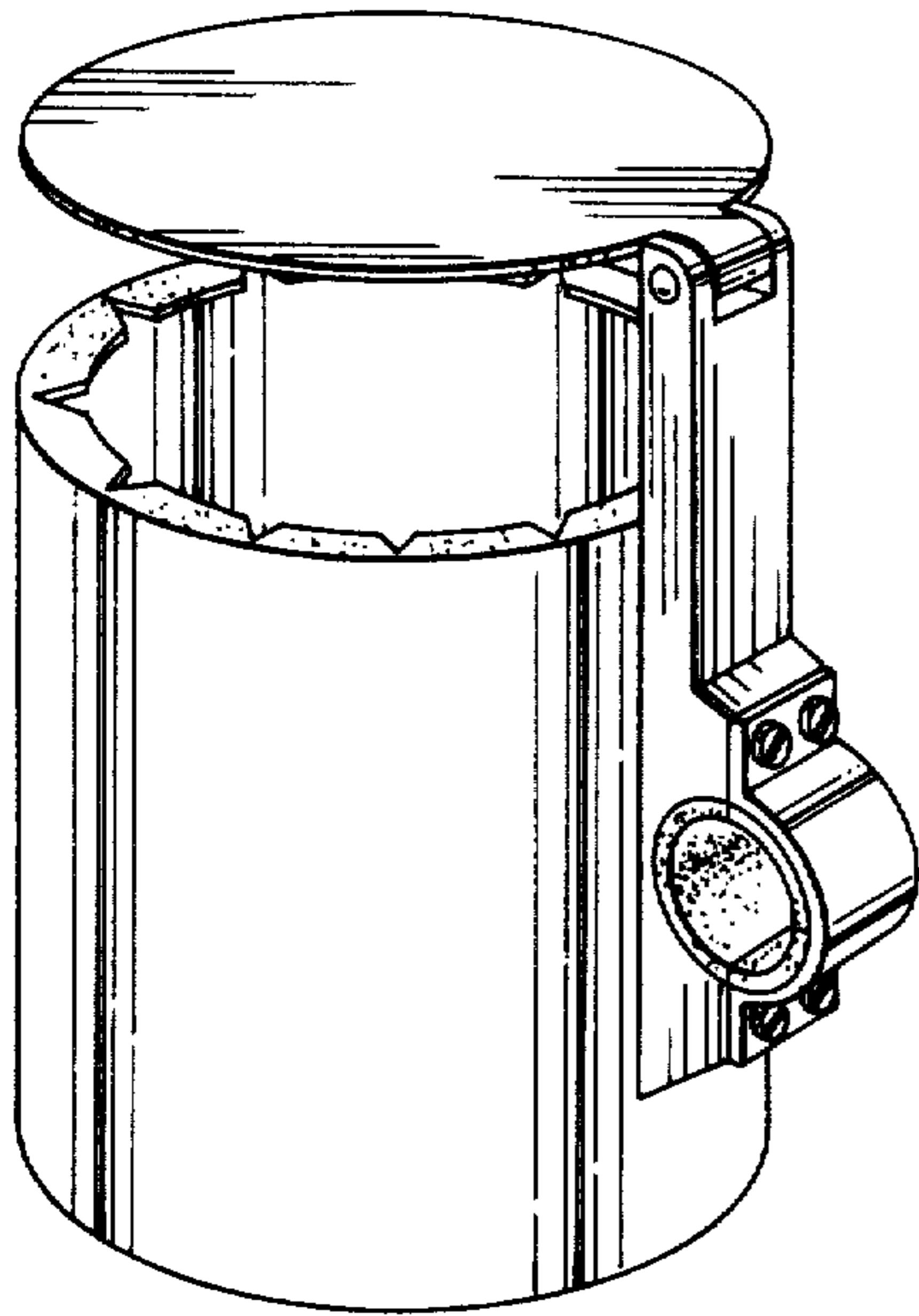


Fig. 2.

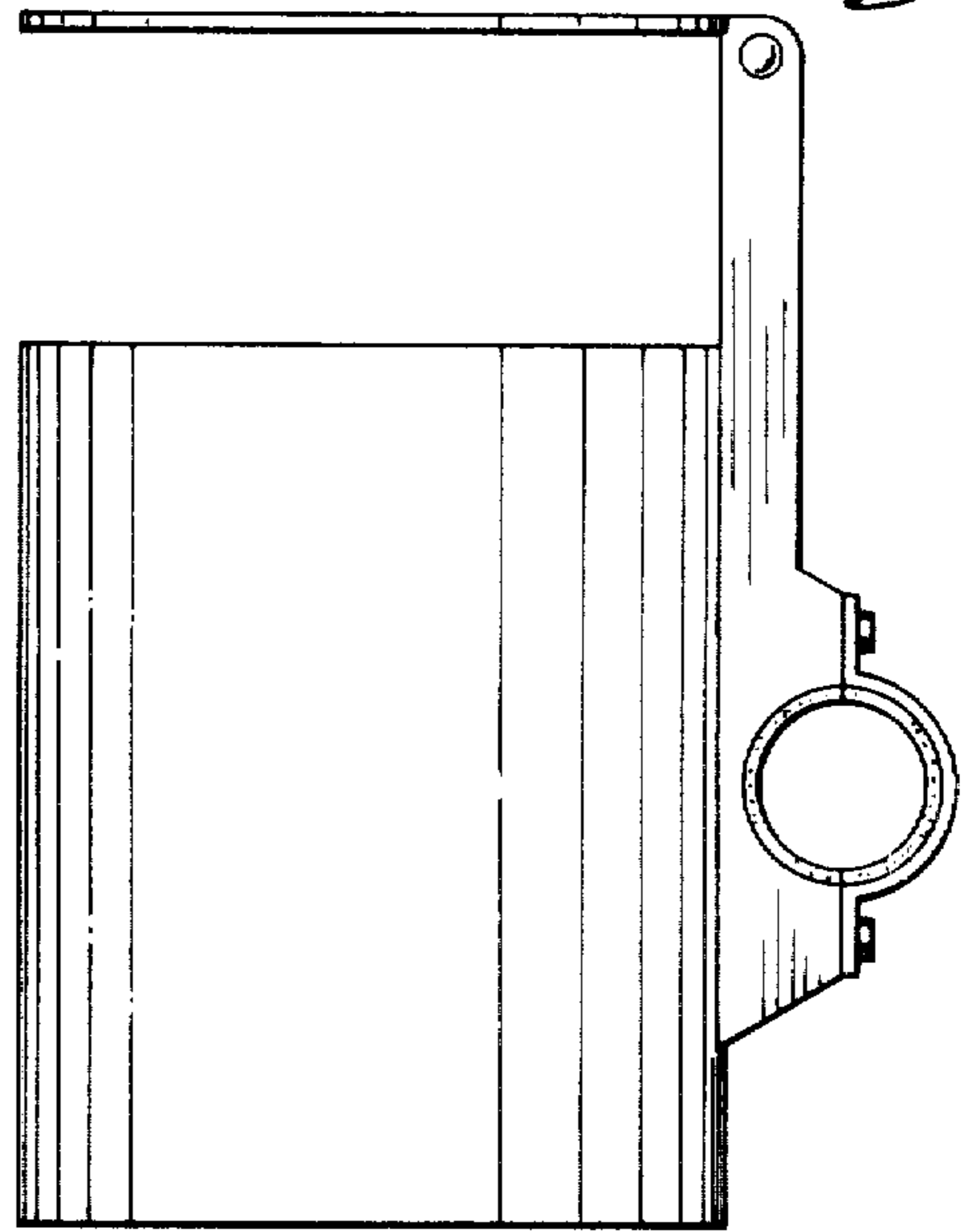


Fig. 3.

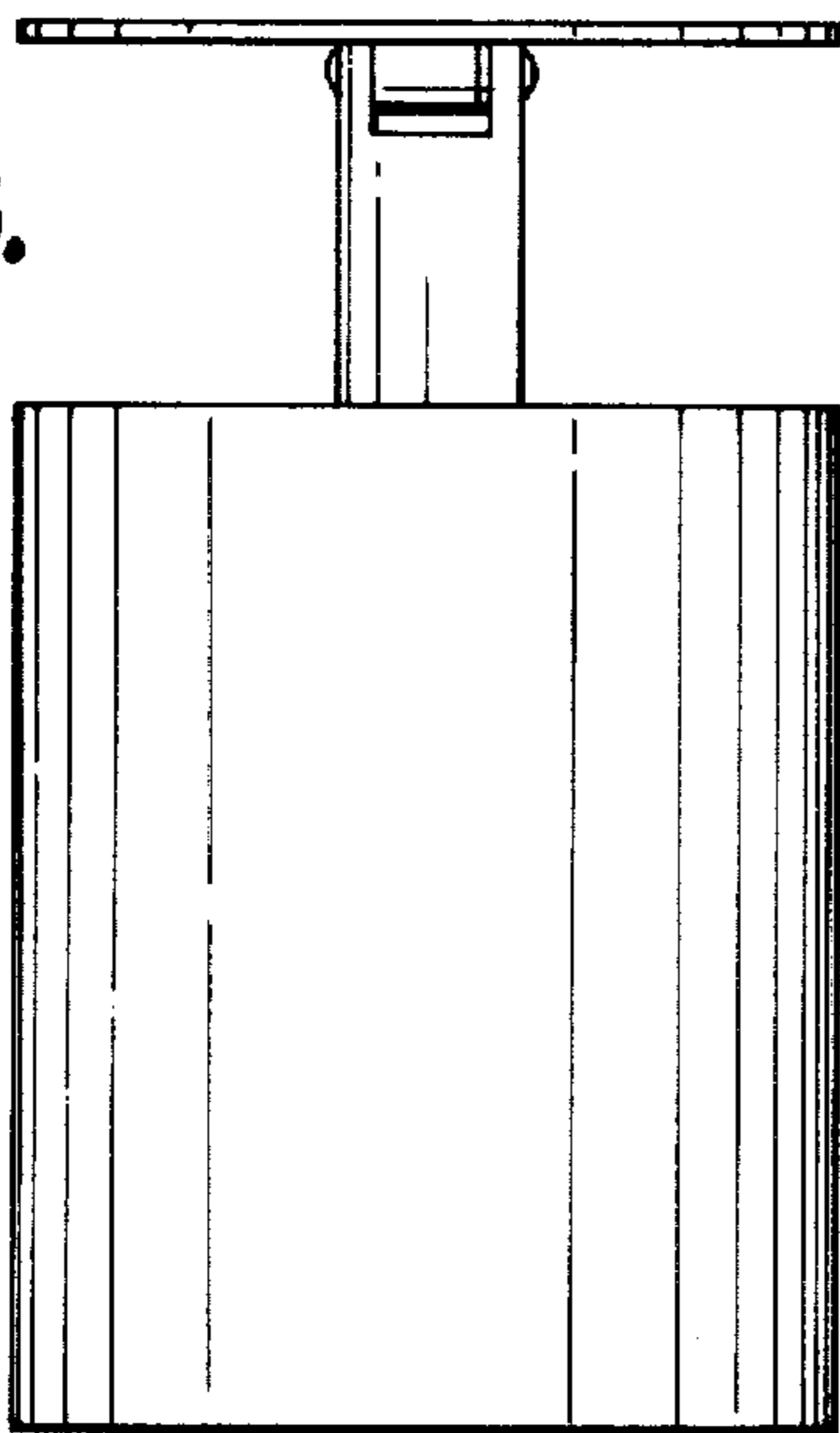


Fig. 4.

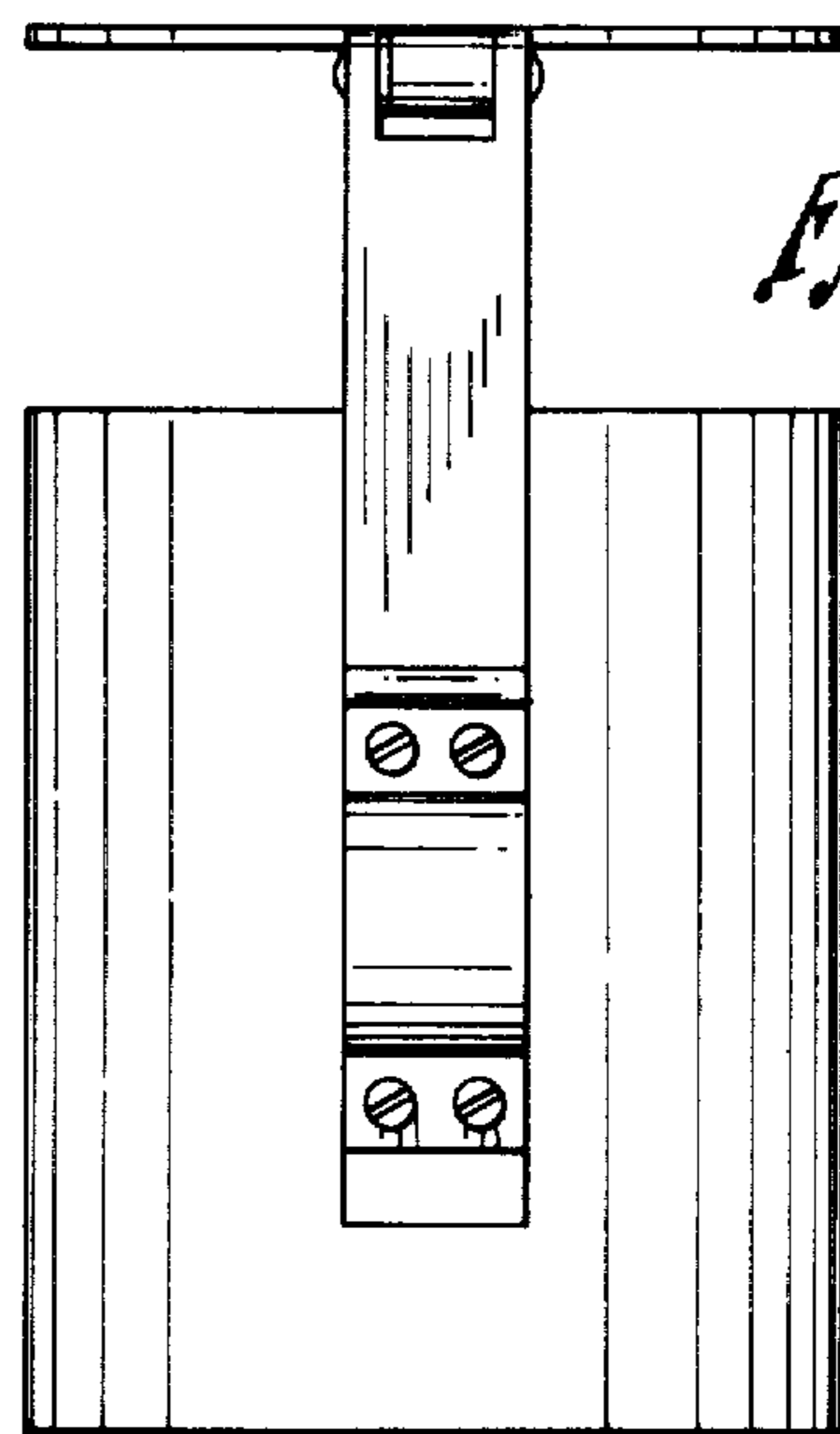


Fig. 5.

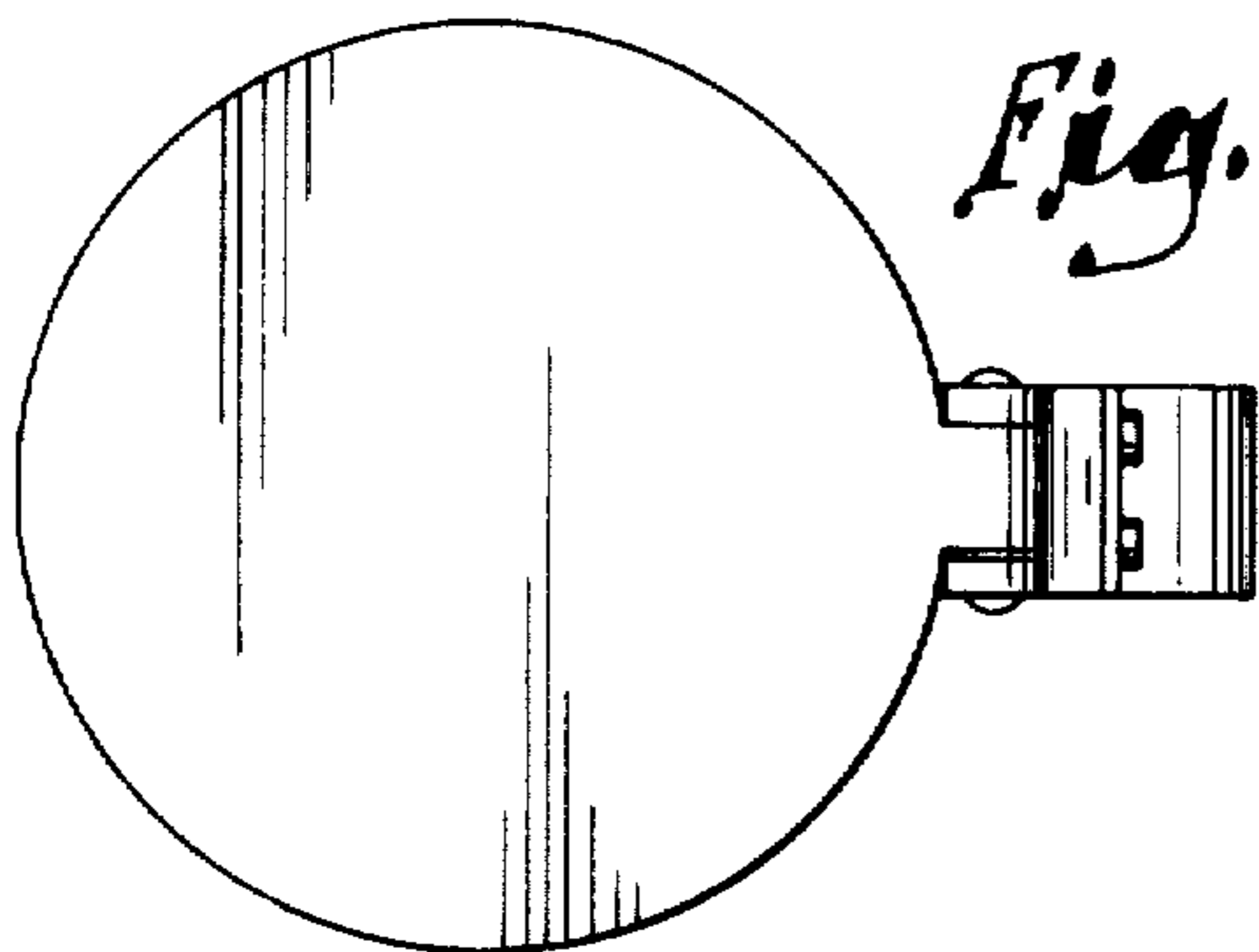


Fig. 6.

