

[54] ADVERTISING VEHICLE

[76] Inventor: **Ronald Wharton**, Rte. 1, Turnbull Bay Rd., New Smyrna Beach, Fla. 32069

[\*\*] Term: **14 Years**

[21] Appl. No.: **143,157**

[22] Filed: **Apr. 23, 1980**

[51] Int. Cl. .... **D12-08**

[52] U.S. Cl. .... **D12/83; D12/92**

[58] Field of Search ..... **D12/83, 92; 296/21, 296/186**

[56] **References Cited**

**U.S. PATENT DOCUMENTS**

D. 184,152 12/1958 Skrovan, Sr. .... D12/83

**OTHER PUBLICATIONS**

Washington Herald, 11/22/34, Vehicle.  
Motor Vehicle Monthly, 7/25, p. 33, "Necco Wafer"  
Vehicle, bottom of page.

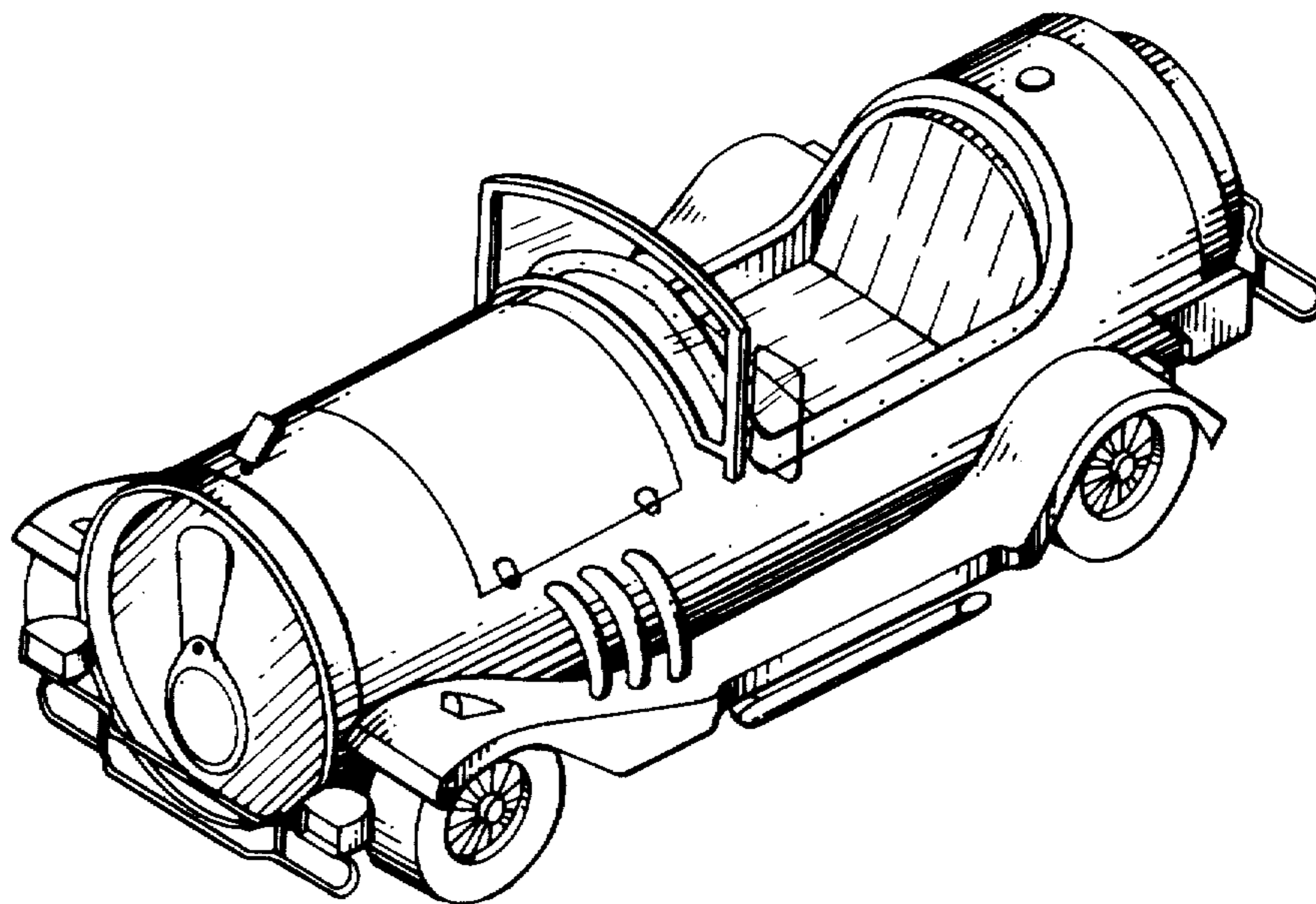
*Primary Examiner*—James M. Gandy  
*Attorney, Agent, or Firm*—Duckworth, Allen, Dyer & Pettis

[57] **CLAIM**

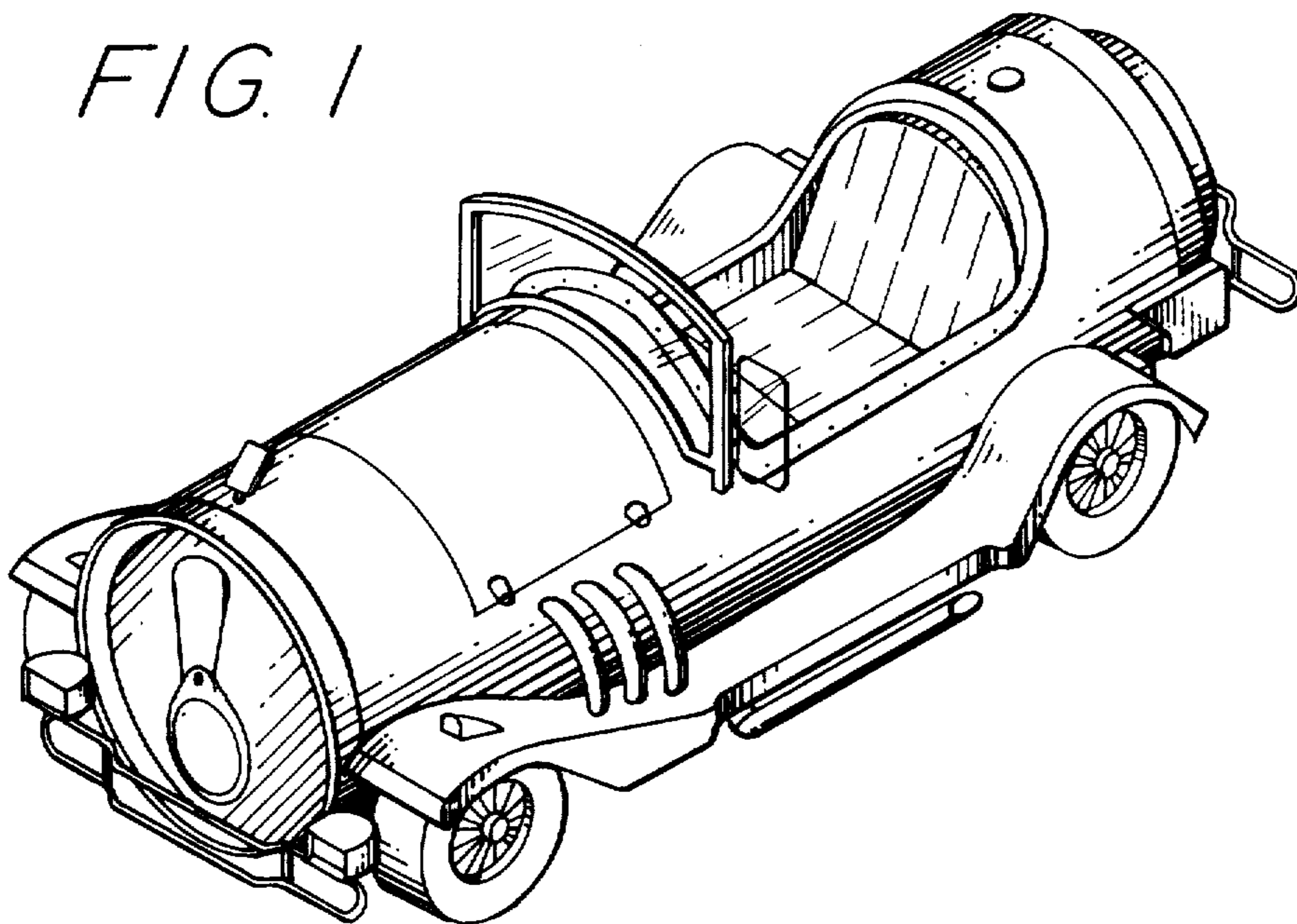
The ornamental design for an advertising vehicle, as shown.

**DESCRIPTION**

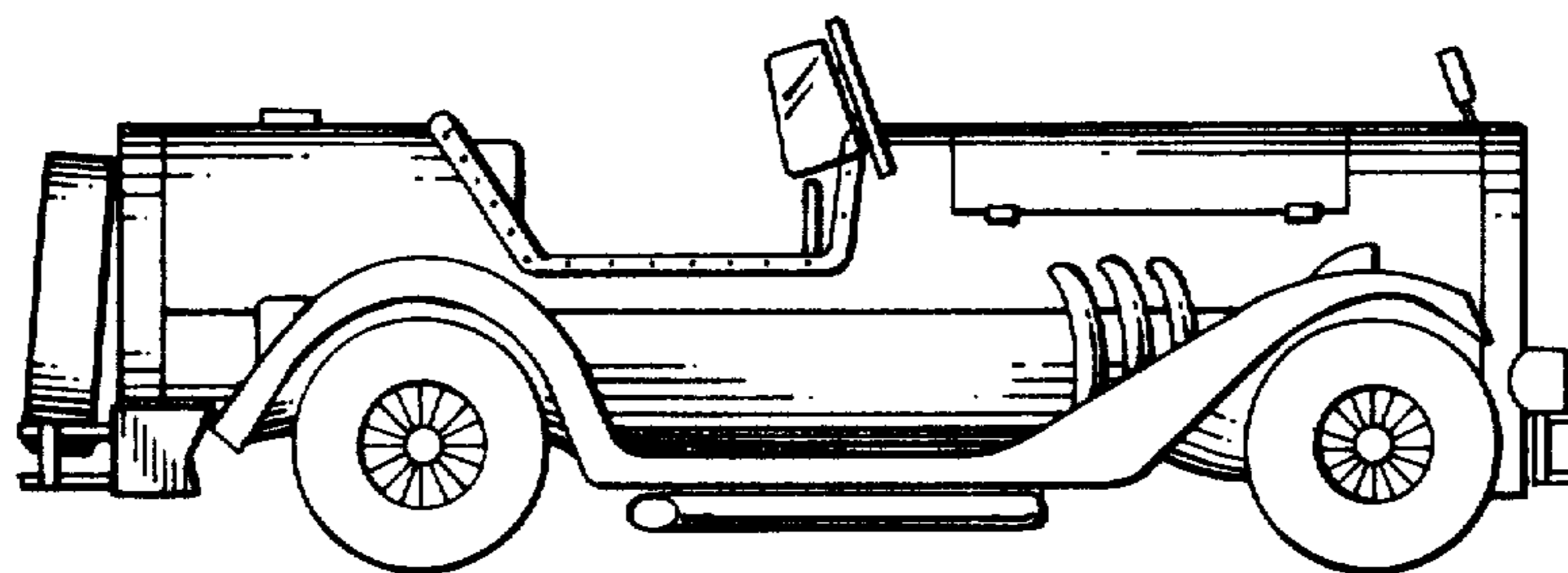
FIG. 1 is a perspective view of an advertising vehicle showing my new design;  
FIG. 2 is a right side elevation view thereof;  
FIG. 3 is a left side elevation view thereof;  
FIG. 4 is a front elevation view thereof;  
FIG. 5 is a rear elevation view thereof;  
FIG. 6 is a top plan view thereof; and  
FIG. 7 is a bottom plan view thereof.



*FIG. 1*



*FIG. 2*



*FIG. 3*

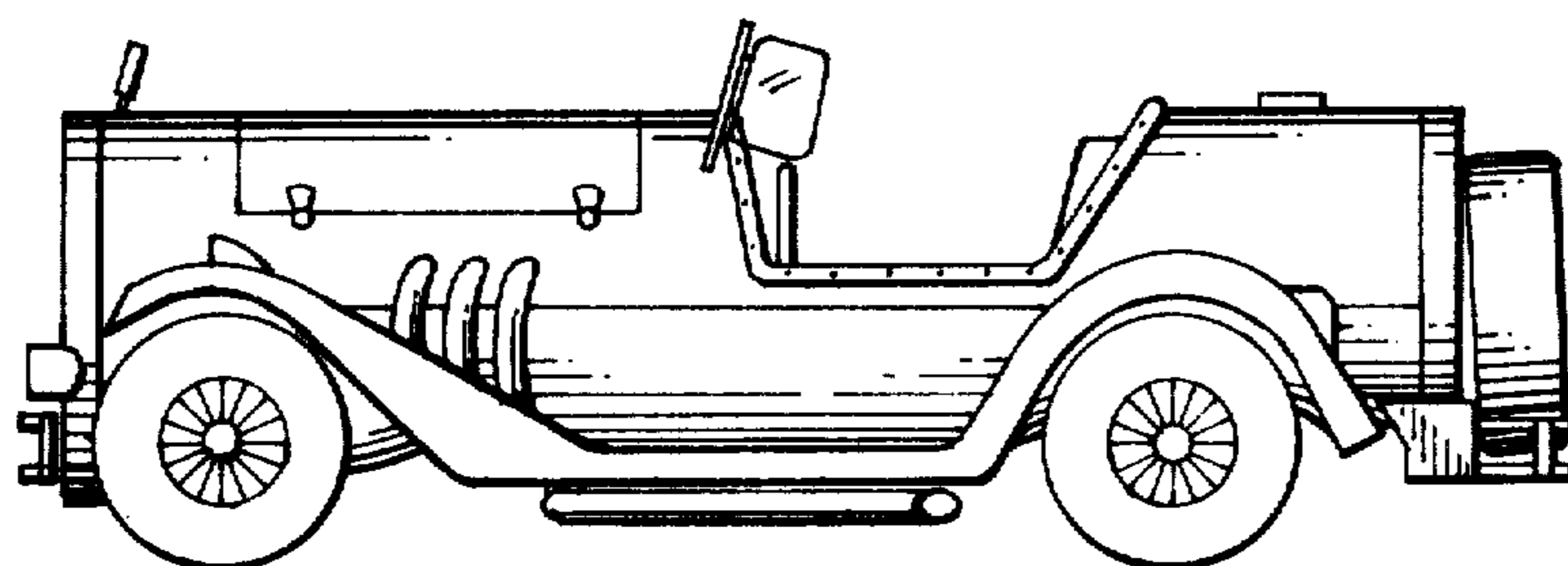


FIG. 4

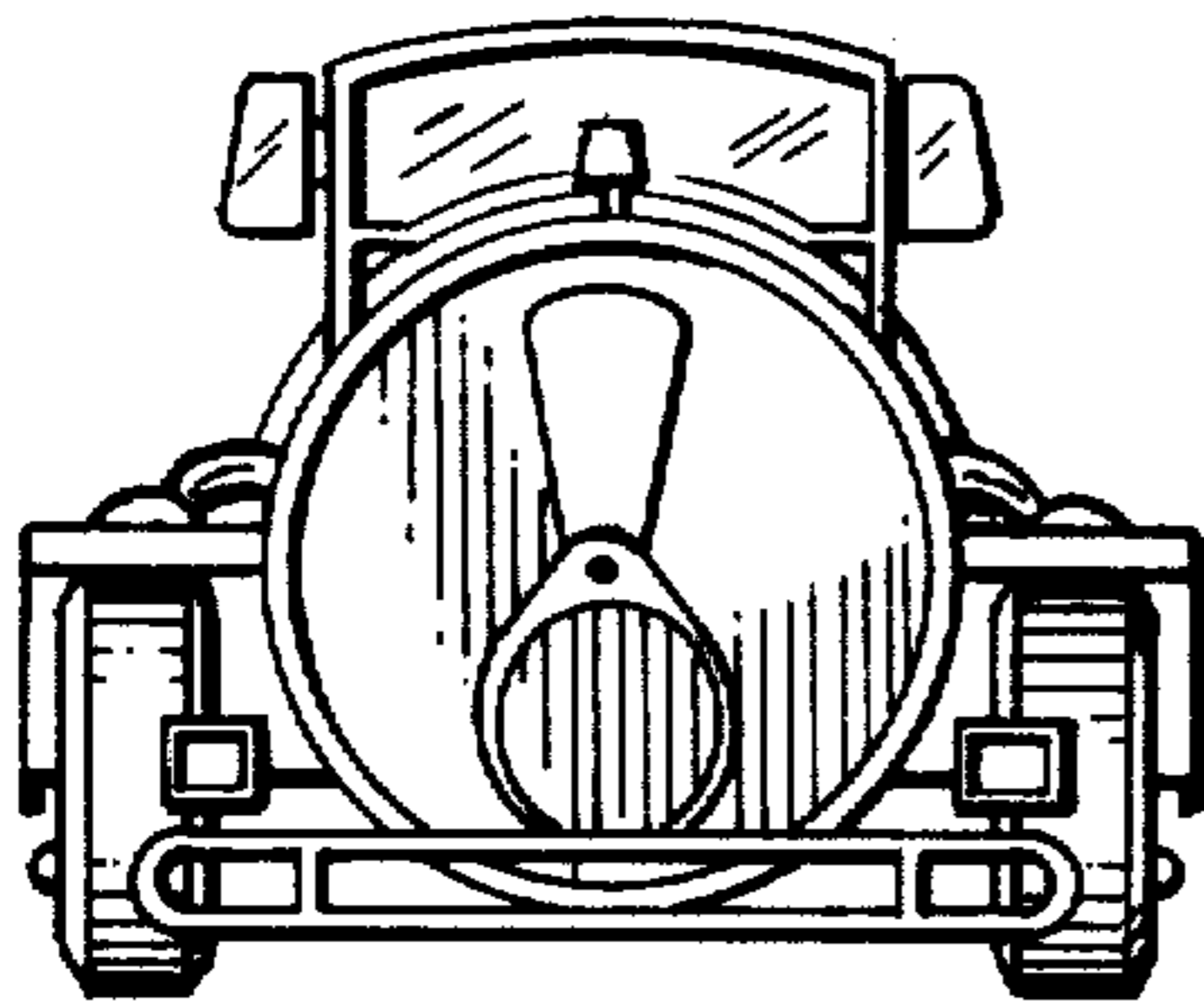


FIG. 5

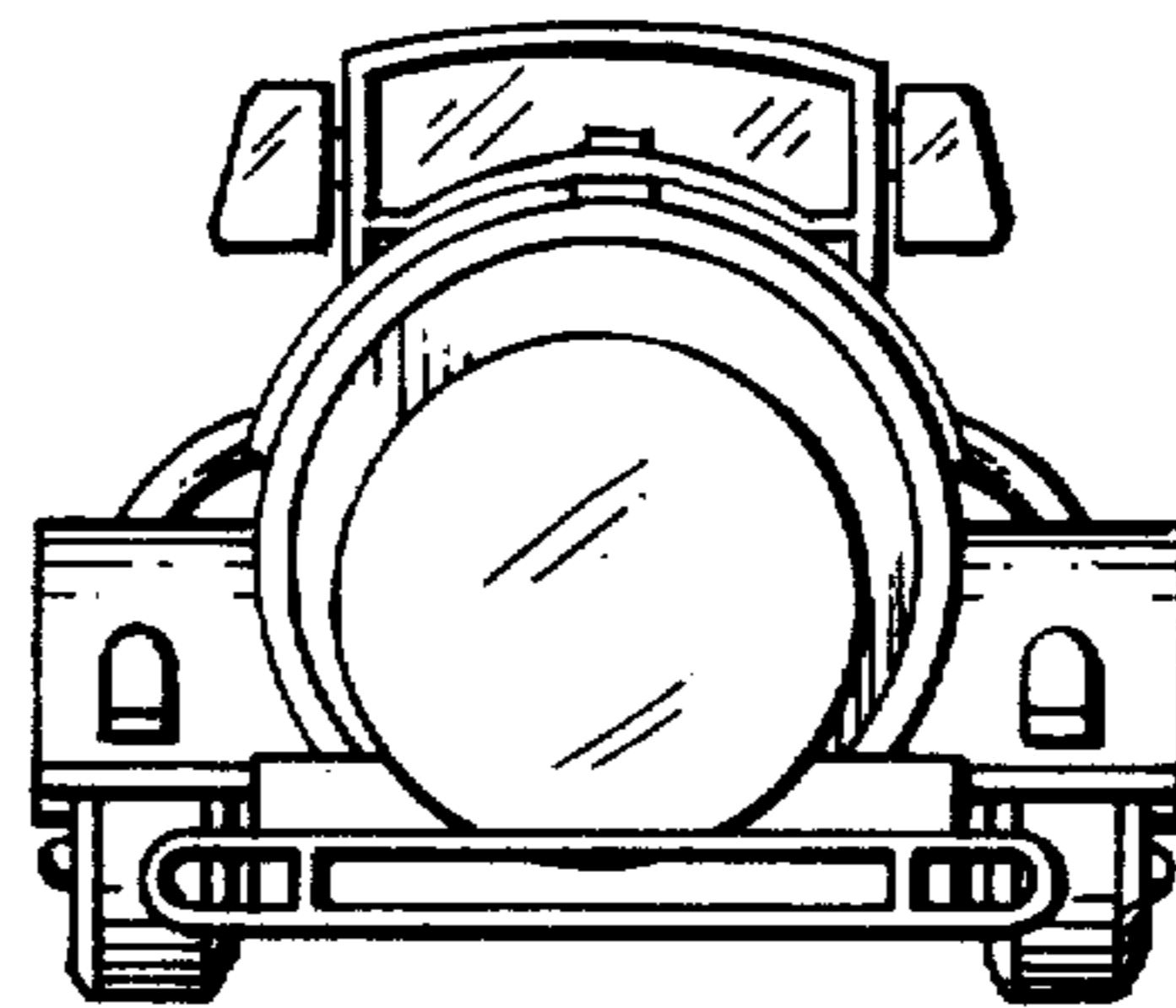


FIG. 6

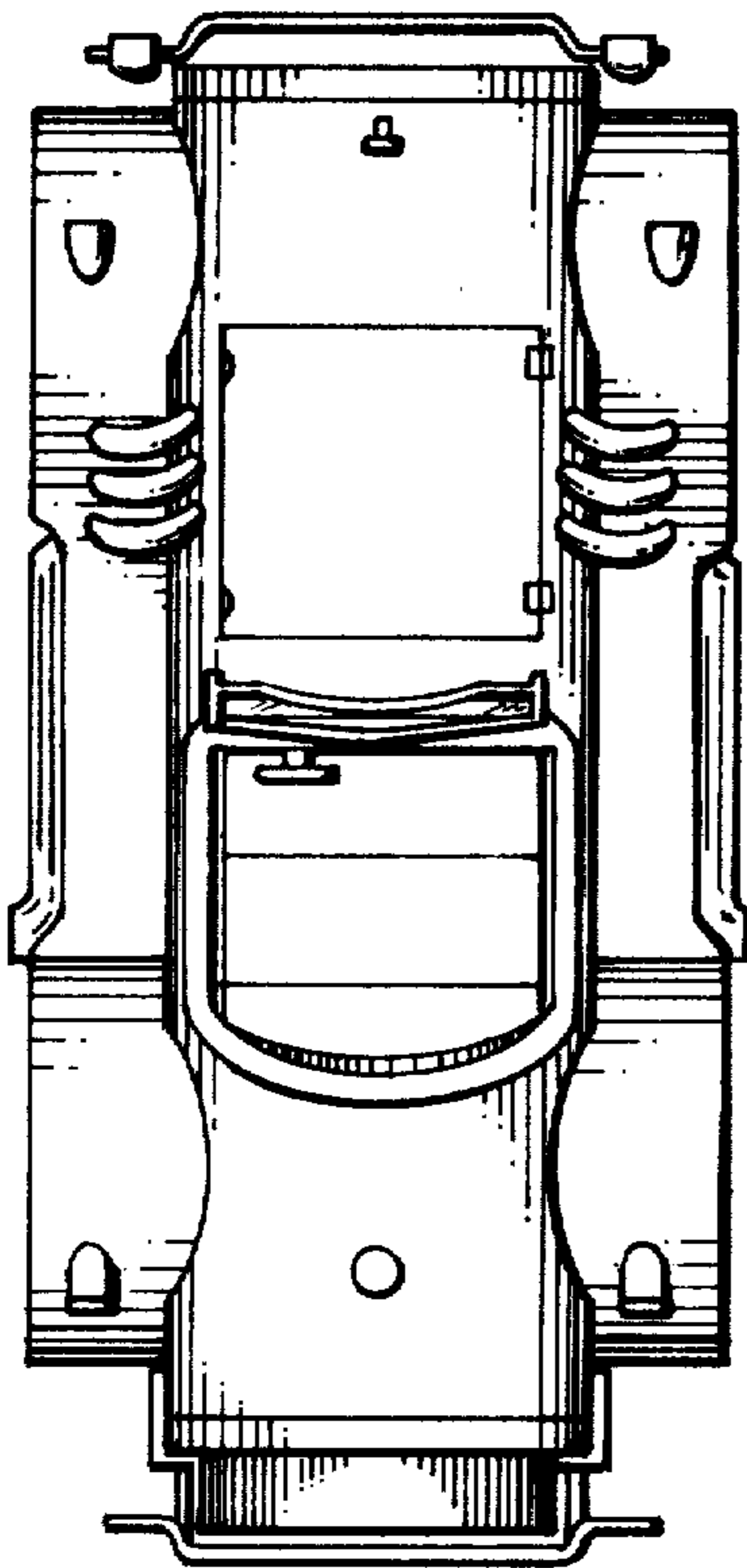


FIG. 7

