

[54] RATCHET BUCKLE FOR TIGHTENING STRAP

[75] Inventor: Ernest Prete, Jr., Woodland Hills, Calif.

[73] Assignee: Ancra Corporation, El Segundo, Calif.

[**] Term: 14 Years

[21] Appl. No.: 183,179

[22] Filed: Sep. 2, 1980

[51] Int. Cl. D8-08

[52] U.S. Cl. D8/383; D8/44

[58] Field of Search 24/68 R, 68 E; D8/44, D8/383

[56] References Cited

U.S. PATENT DOCUMENTS

D. 230,464	2/1974	Gale	D8/44
3,252,188	5/1966	Davis	24/68 E
4,136,422	1/1979	Ivanov et al.	24/68 E X

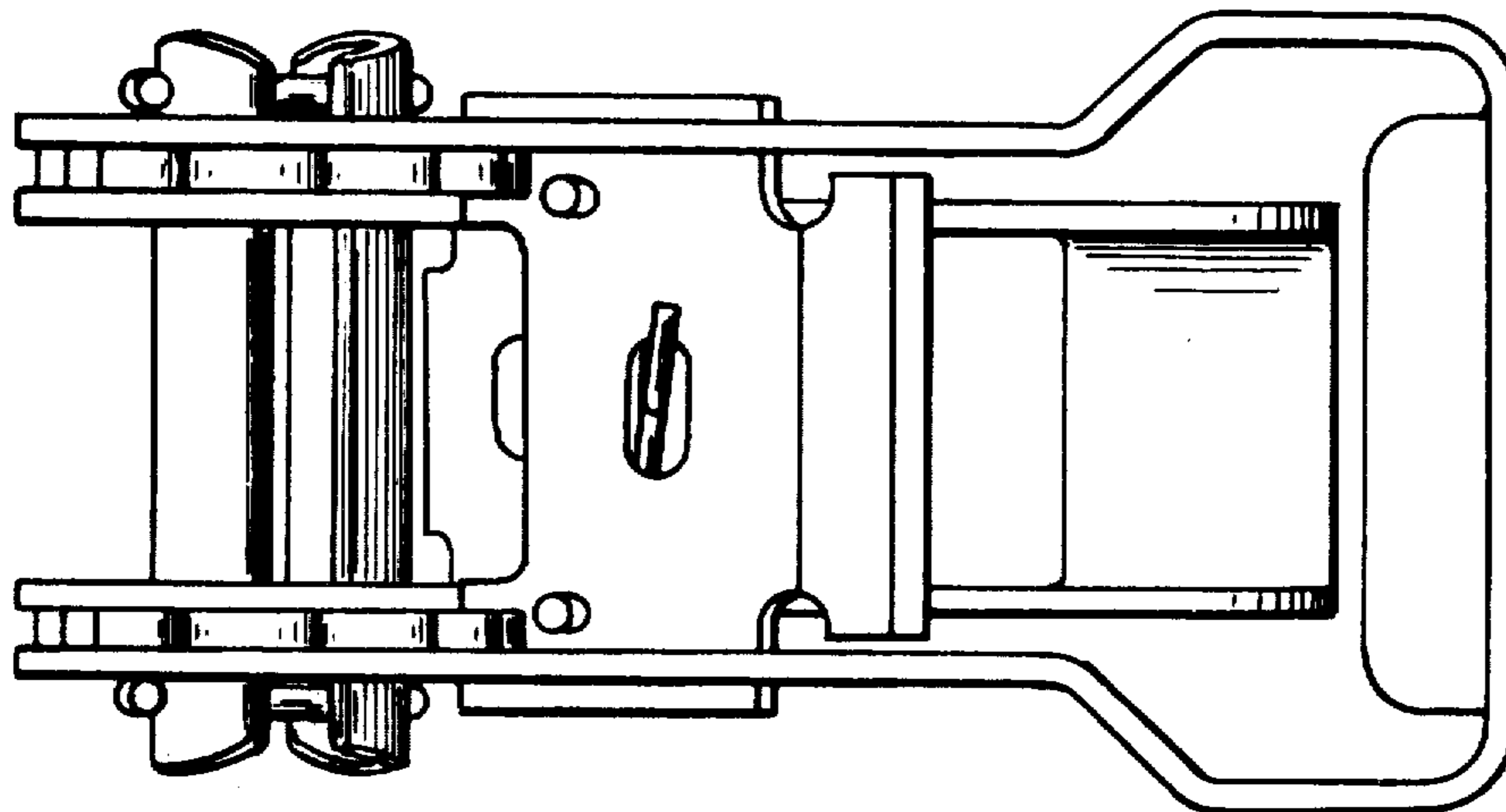
Primary Examiner—A. Hugo Word
Attorney, Agent, or Firm—Edward A. Sokolski

[57] CLAIM

The ornamental design for a ratchet buckle for tightening strap, as shown.

DESCRIPTION

FIG. 1 is a top plan view showing my design for a ratchet buckle for tightening strap; FIG. 2 is a side-elevational view thereof; FIG. 3 is an end elevational view thereof; FIG. 4 is a bottom plan view thereof; FIG. 5 is a side-elevational view thereof taken from the side opposite to that shown in FIG. 2; and FIG. 6 is an end elevational view thereof taken from the side opposite to that shown in FIG. 3.



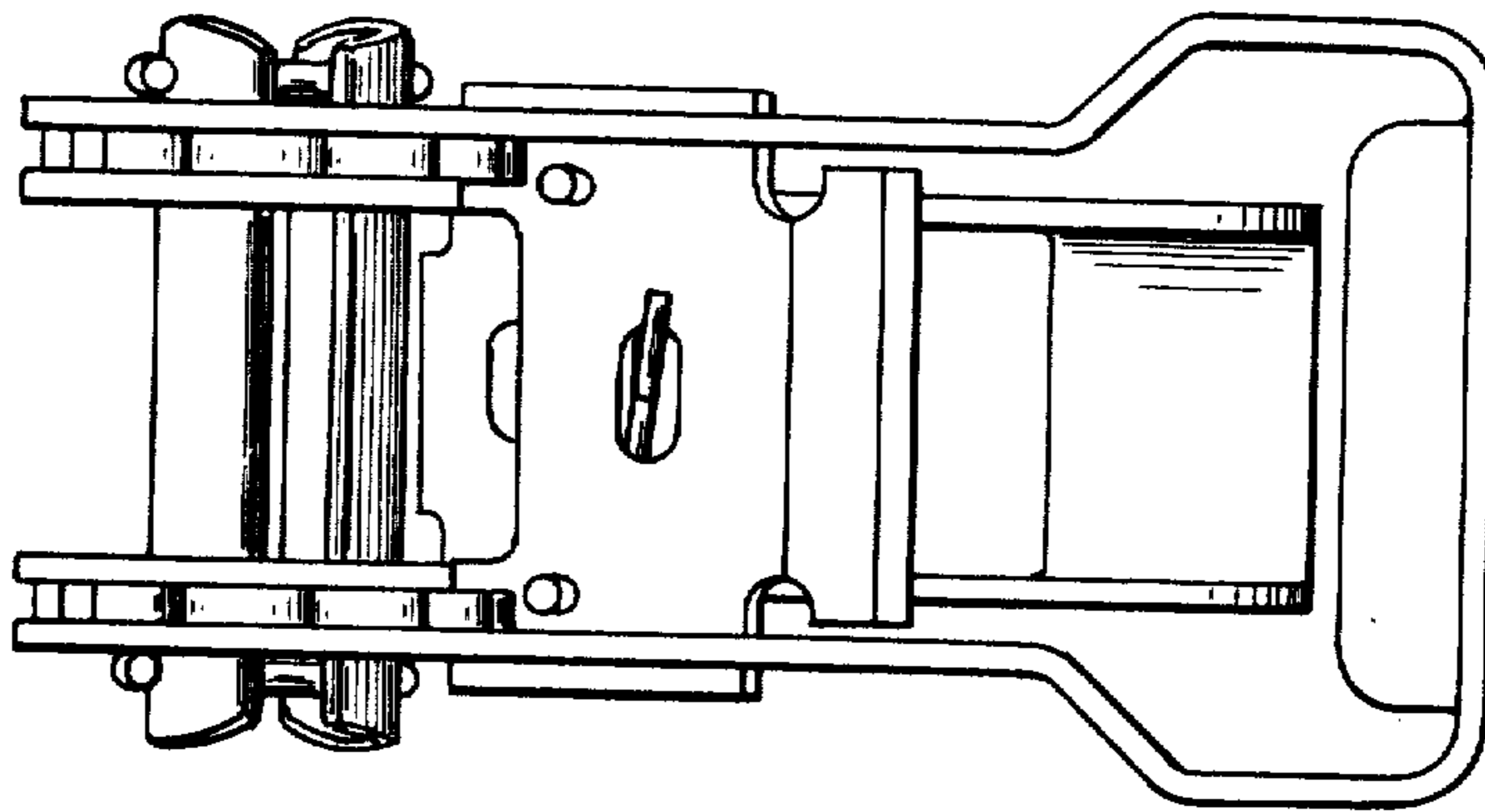


FIG. 1

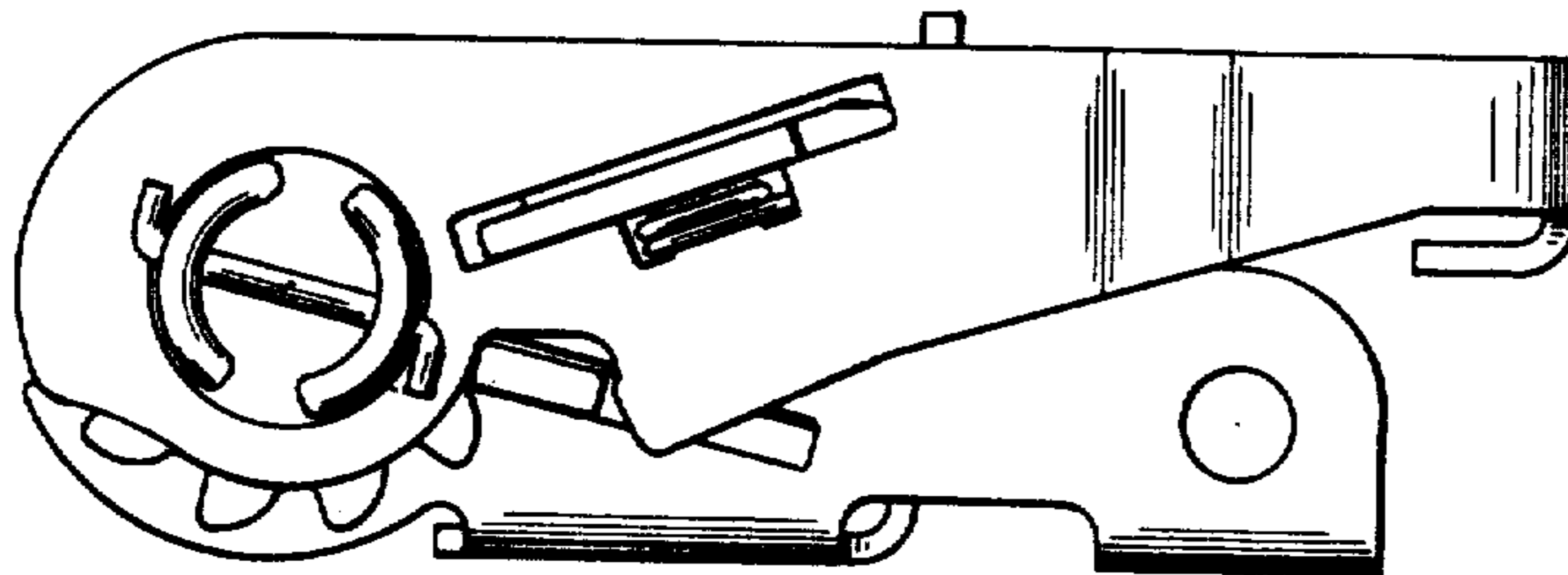


FIG. 2

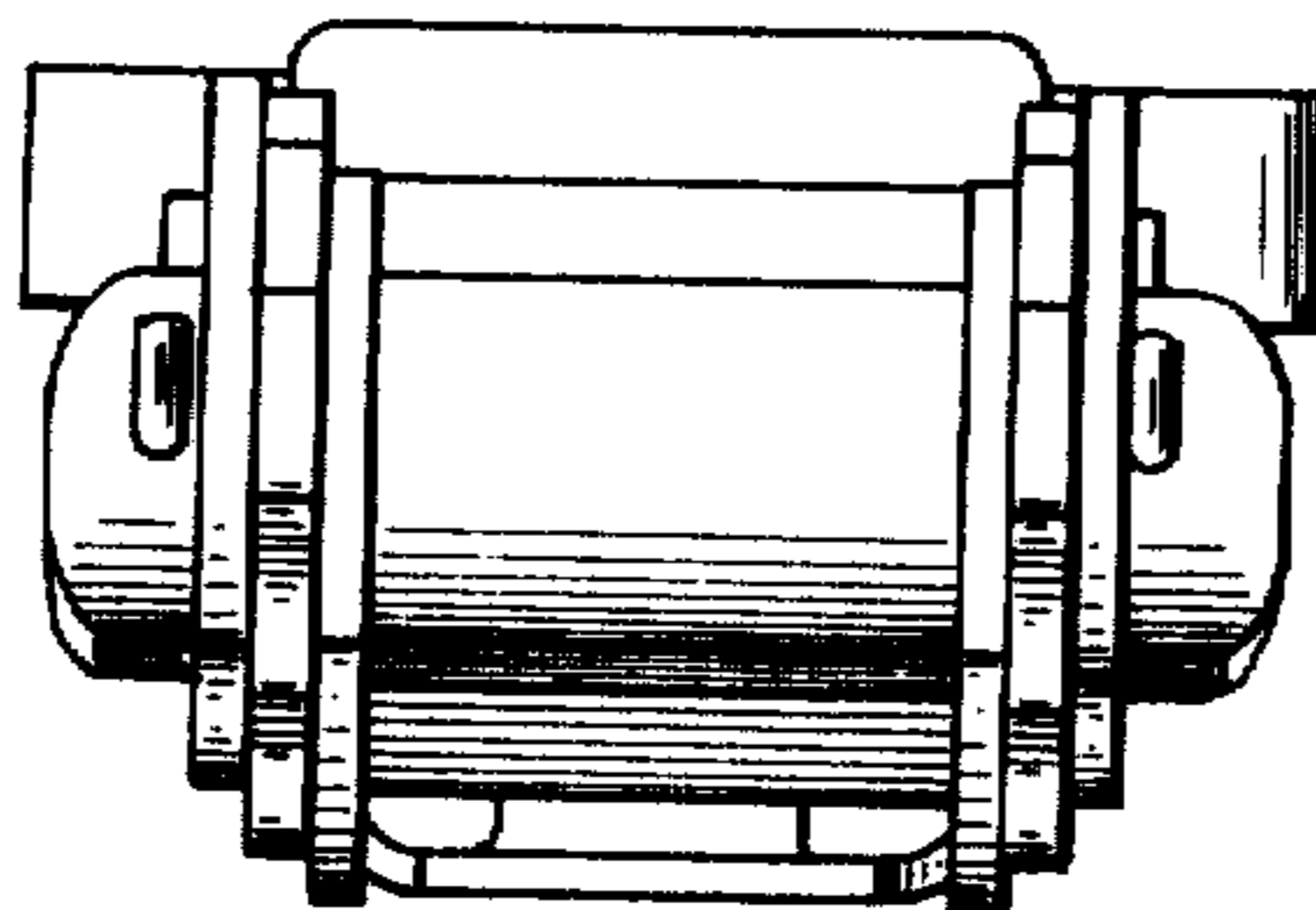


FIG. 3

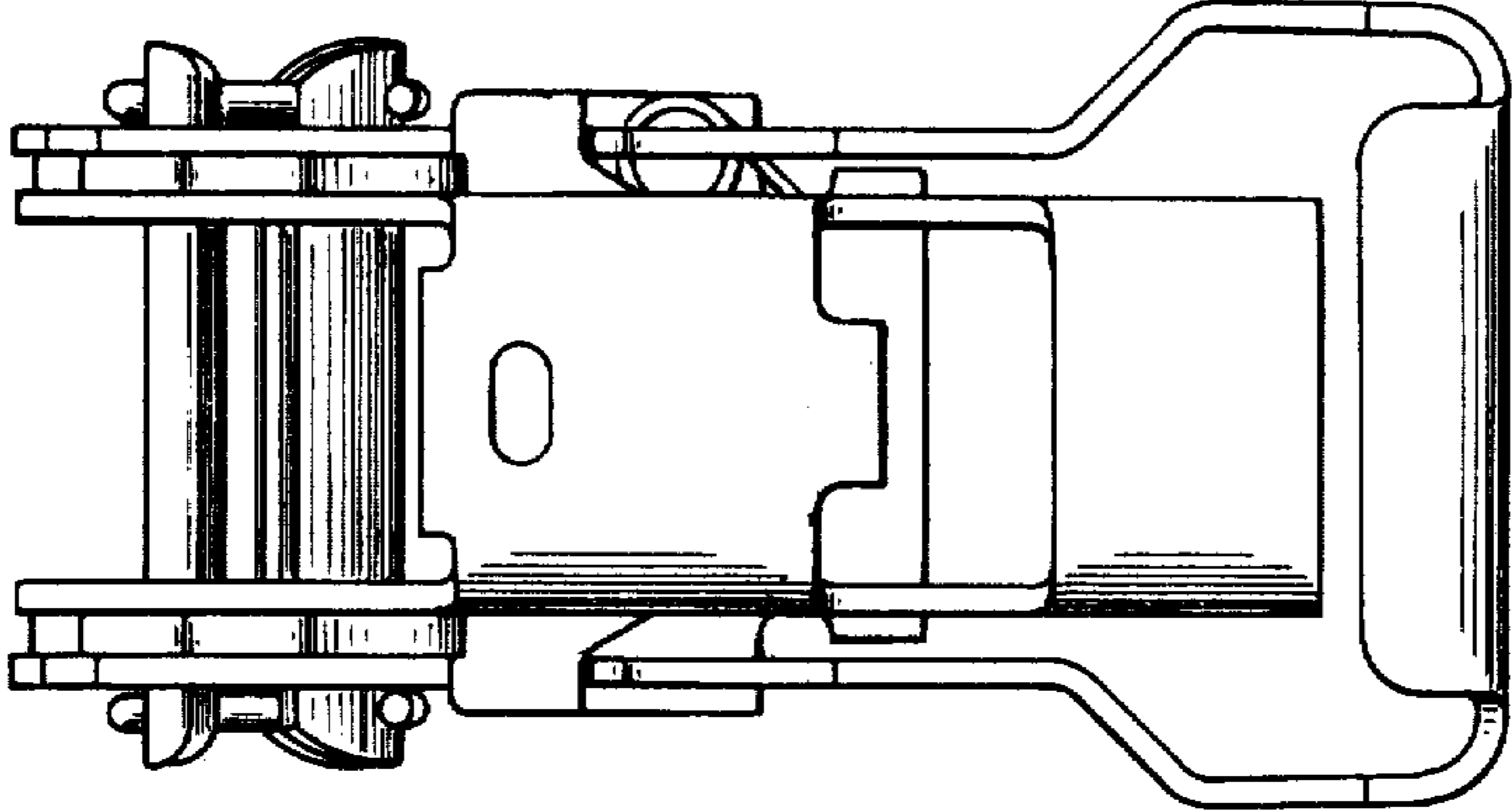


FIG.4

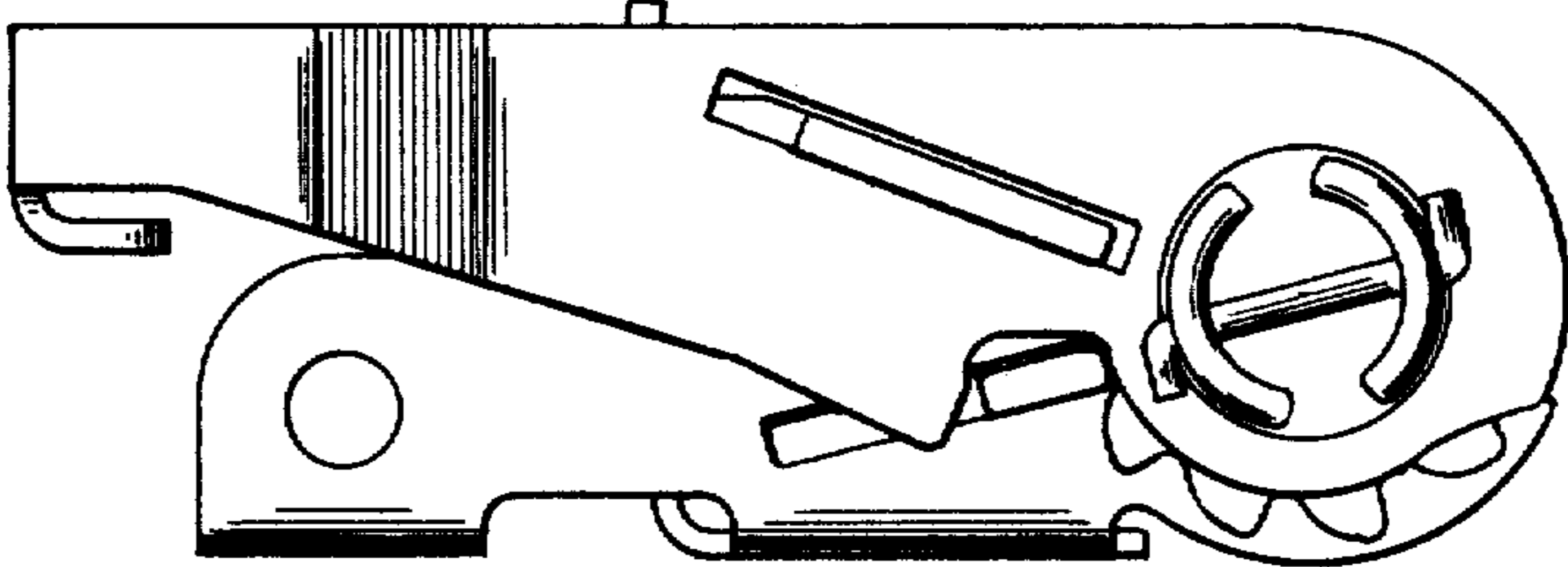


FIG.5

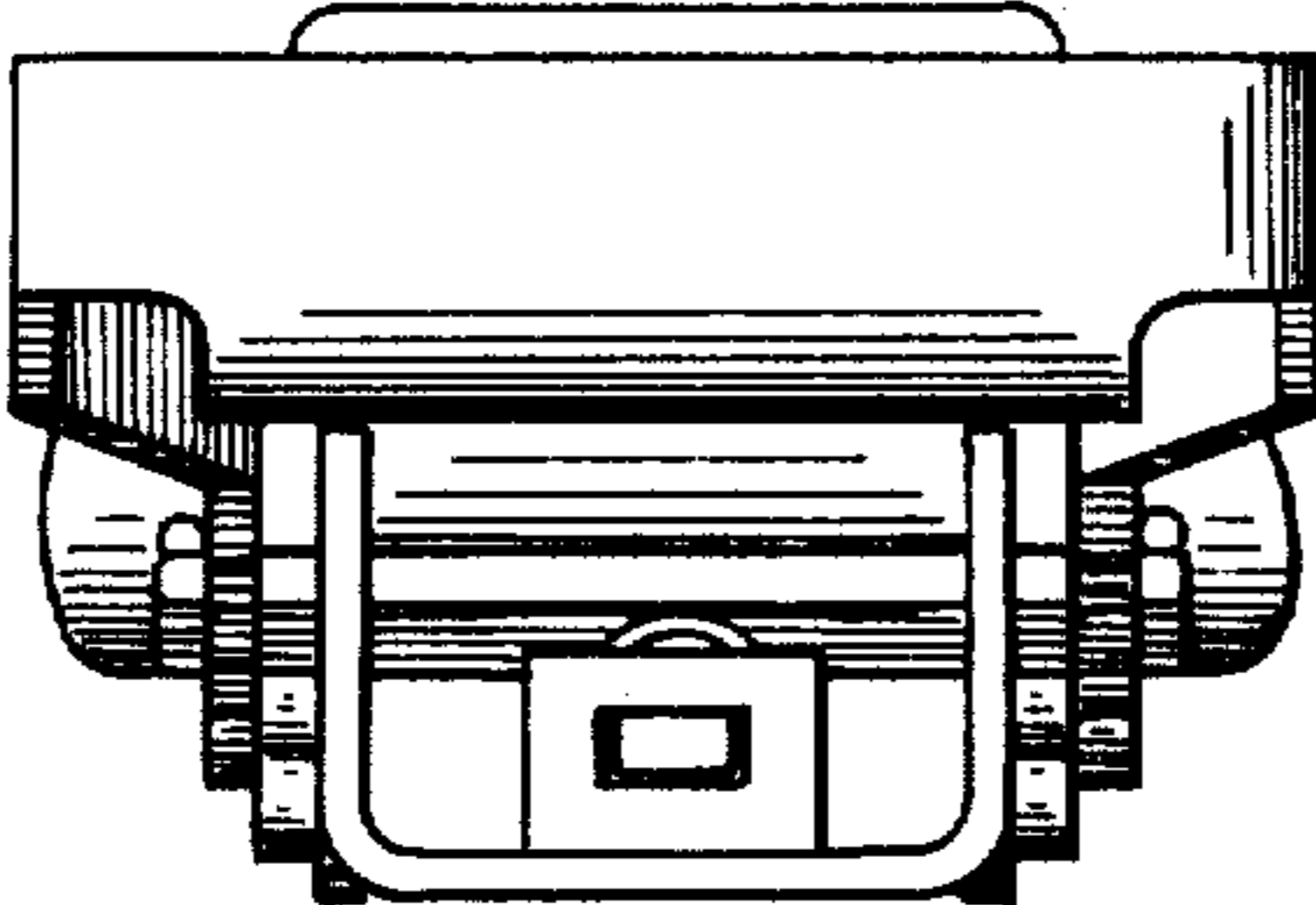


FIG.6