

[54] MOUNTING BRACKET

[75] Inventor: Larry J. Withrow, Xenia, Ohio

[73] Assignee: Atlantic Richfield Company, Los Angeles, Calif.

[**] Term: 14 Years

[21] Appl. No.: 146,811

[22] Filed: May 5, 1980

[51] Int. Cl. D6-04; D8-08

[52] U.S. Cl. D8/373; D6/114; D6/136; D8/380

[58] Field of Search D6/114, 91, 130, 132, D6/136; D8/373, 380, 381, 354; 211/87, 88; 248/214, 218.4, 220.2, 309 R, 674, 235, 247, 250

[56] References Cited

U.S. PATENT DOCUMENTS

- D. 226,650 4/1973 Kennedy D8/354
- 1,463,962 8/1923 McClintock 248/214
- 1,558,977 10/1925 Gray D6/91

- 2,659,491 11/1953 Williams 248/214
- 3,534,933 10/1970 Zimmerman 248/309

OTHER PUBLICATIONS

Hospital Supply Co. Cat., p. A98; Sterilizer Bracket Attachment, (lower left).

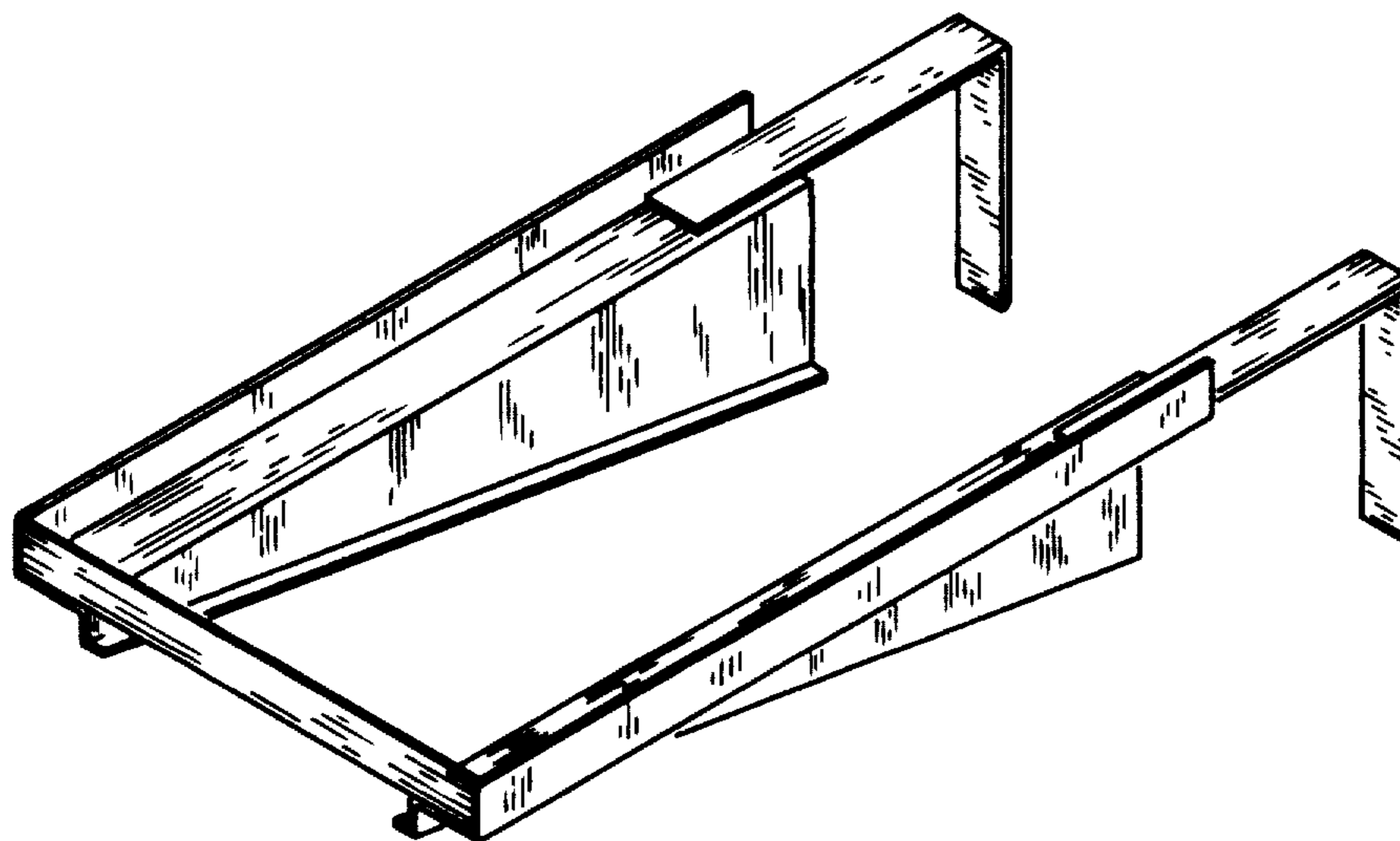
Primary Examiner—B. J. Bullock
Attorney, Agent, or Firm—F. Lindsey Scott

[57] CLAIM

The ornamental design for a mounting bracket, as shown and described.

DESCRIPTION

FIG. 1 is a top view of the mounting bracket embodying my new design;
 FIG. 2 is a side view taken from the right of FIG. 1, the side opposite being a mirror image thereof;
 FIG. 3 is a front view thereof;
 FIG. 4 is a perspective view thereof;
 FIG. 5 is a side view thereof, the heat pump and portion of a wall structure being shown in broken lines for illustrative purposes only.



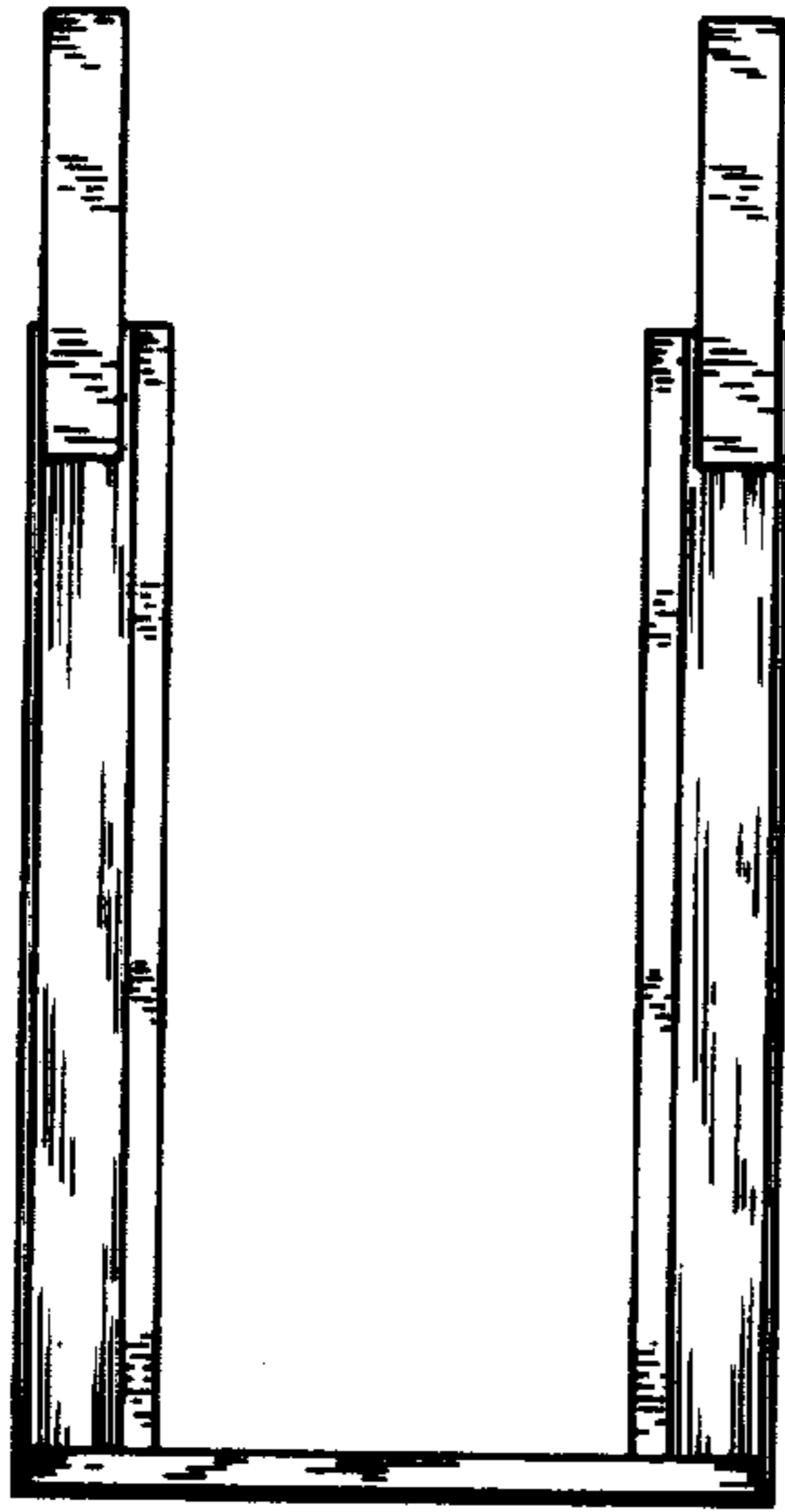


FIG. 1

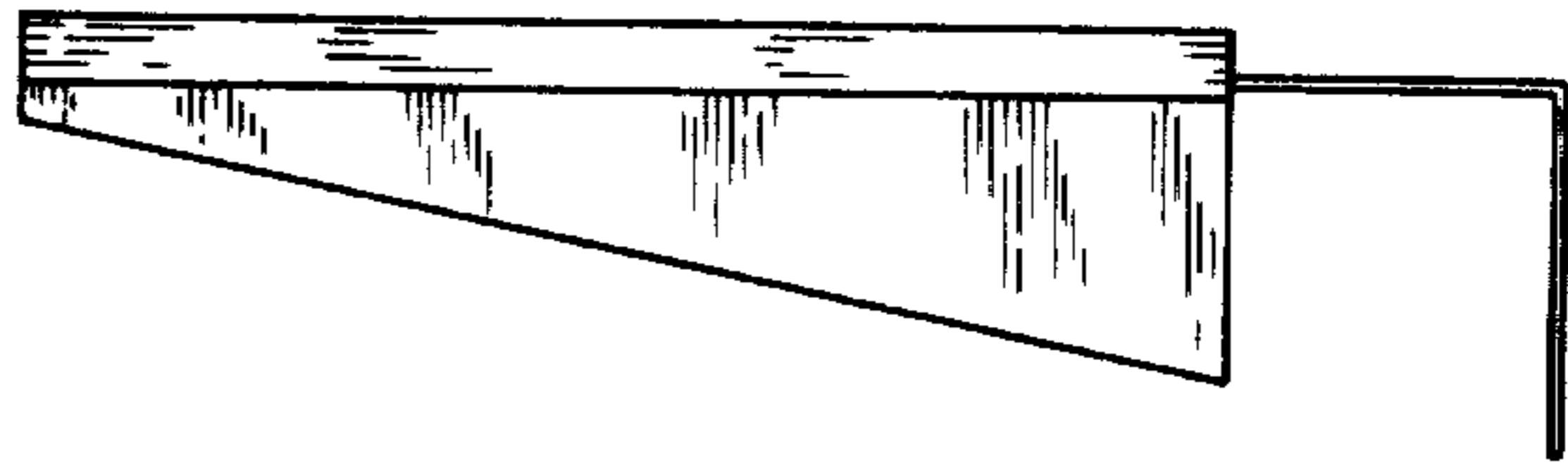


FIG. 2

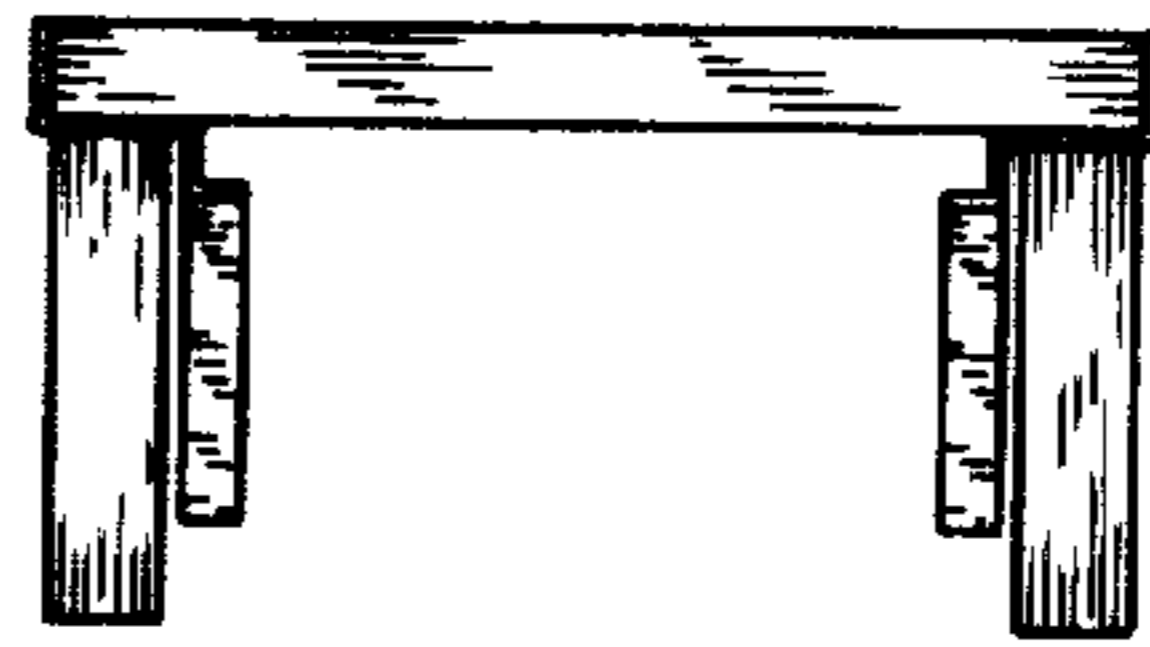


FIG. 3

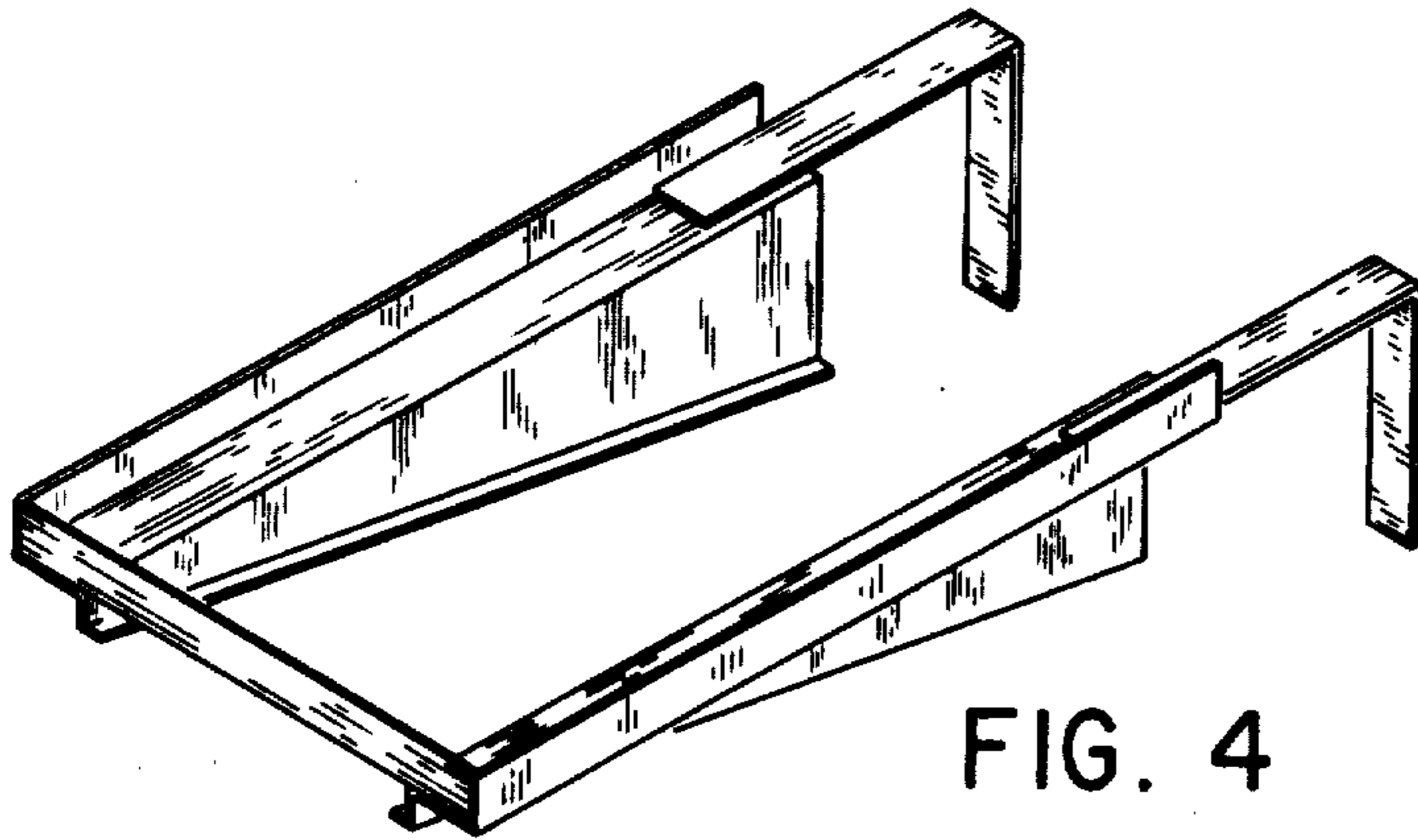


FIG. 4

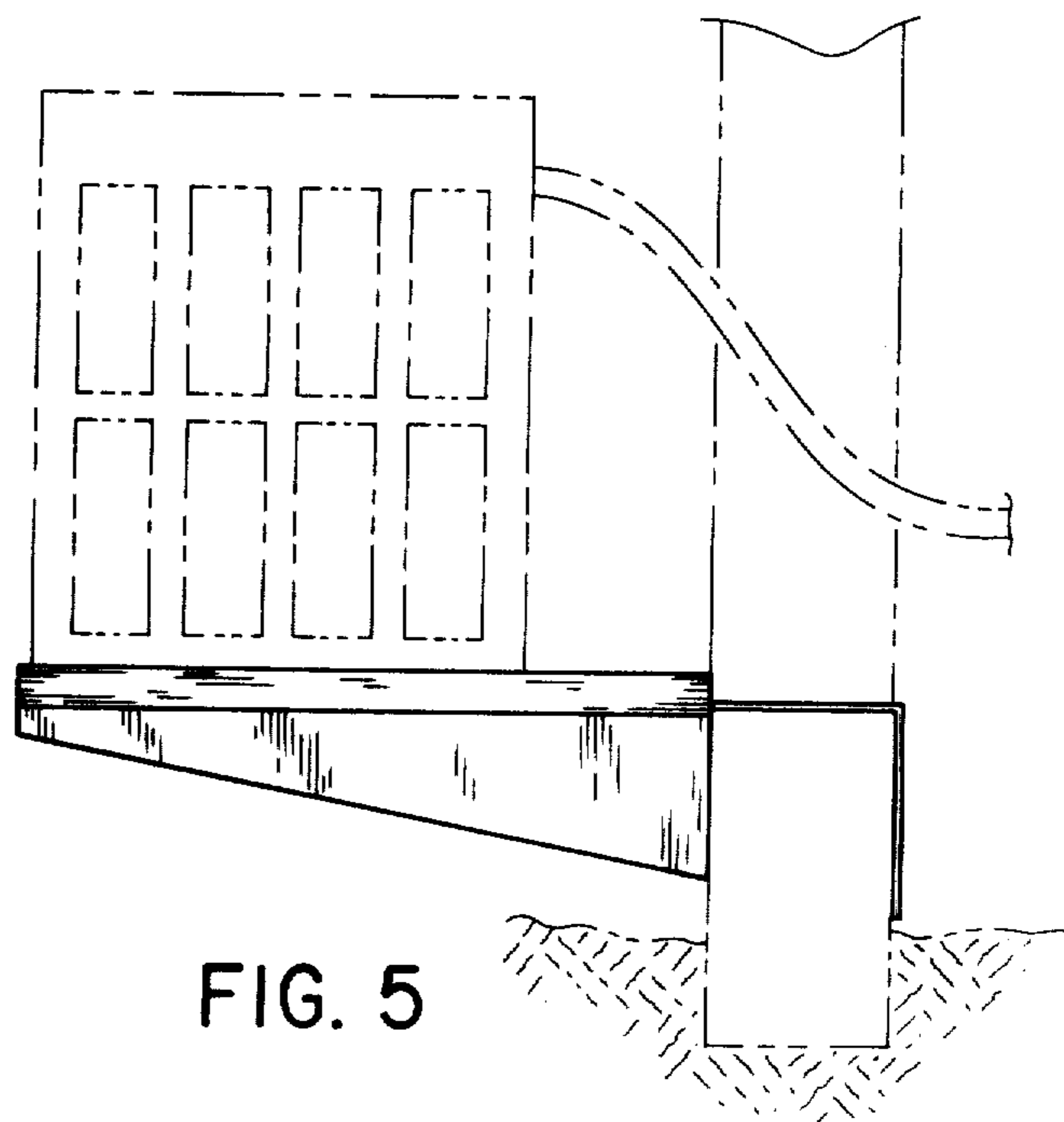


FIG. 5