

[54] **AIRCRAFT LANDING GEAR SERVICING TOOL**

[75] **Inventor: Jack McHaney, Jacksonville, Fla.**

[73] **Assignee: Lockheed Corporation, Burbank, Calif.**

[**] **Term: 14 Years**

[21] **Appl. No.: 177,436**

[22] **Filed: Aug. 12, 1980**

[51] **Int. Cl. D8—05**

[52] **U.S. Cl. D8/51; D8/59**

[58] **Field of Search D8/51, 59; 29/266, 259**

[56] **References Cited**

U.S. PATENT DOCUMENTS

D. 175,922	10/1955	Whitehead et al.	D8/51
1,505,834	8/1924	Westendorf	29/259 X
3,315,340	4/1967	King	29/259 X
3,568,294	3/1971	Conner	29/259

Primary Examiner—Alan P. Douglas
Attorney, Agent, or Firm—A. L. Carter

[57] **CLAIM**

The ornamental design for an aircraft landing gear servicing tool, substantially as shown in the drawings.

DESCRIPTION

FIG. 1 is a perspective view of the aircraft landing gear servicing tool;

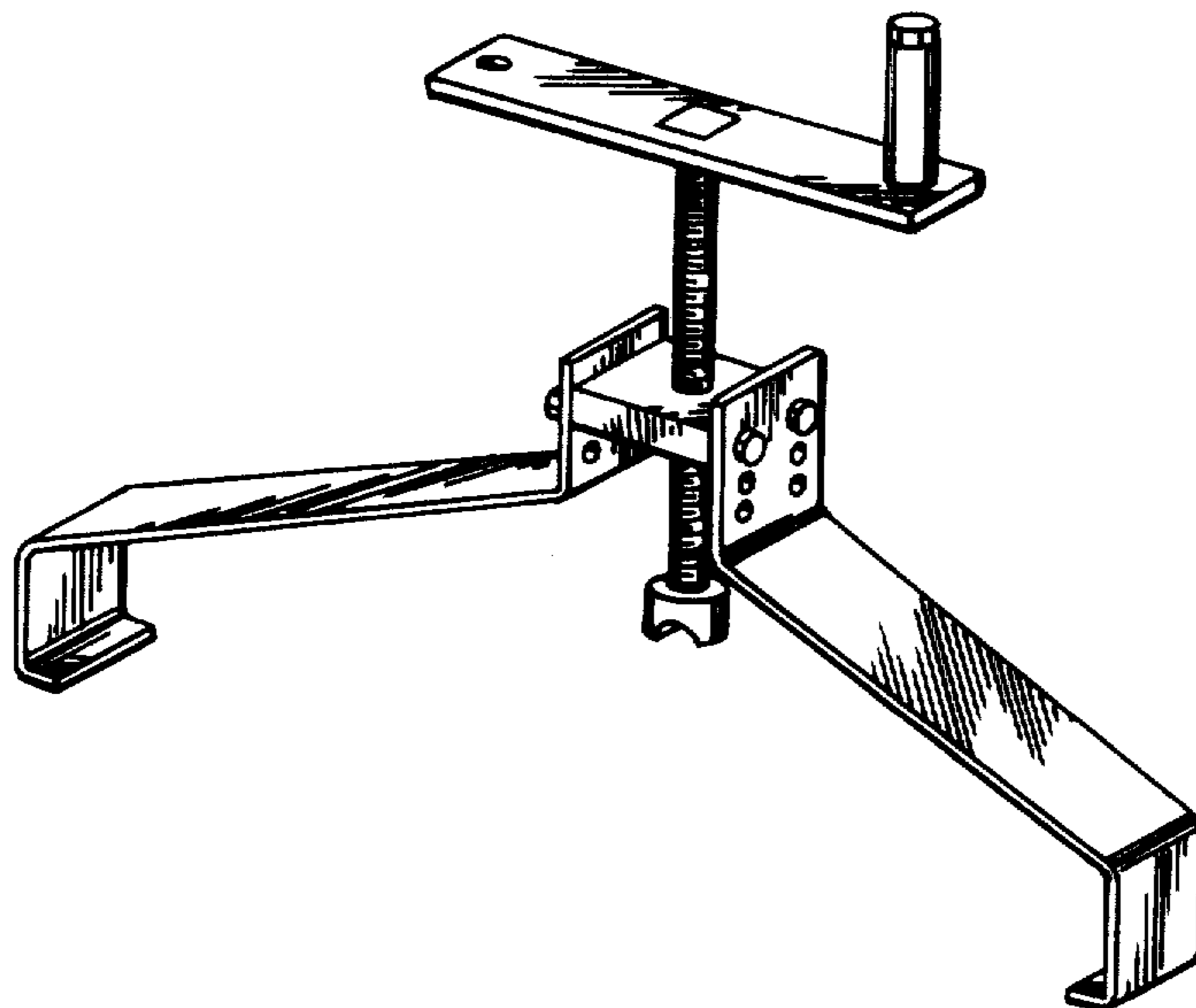
FIG. 2 is a front view of said tool;

FIG. 3 is the bottom view of said tool as seen in FIG. 2;

FIG. 4 is the top view of said tool as seen in FIG. 2;

FIG. 5 is the left side of said tool as seen in FIG. 2; and,

FIG. 6 is the right side of said tool as seen in FIG. 2.



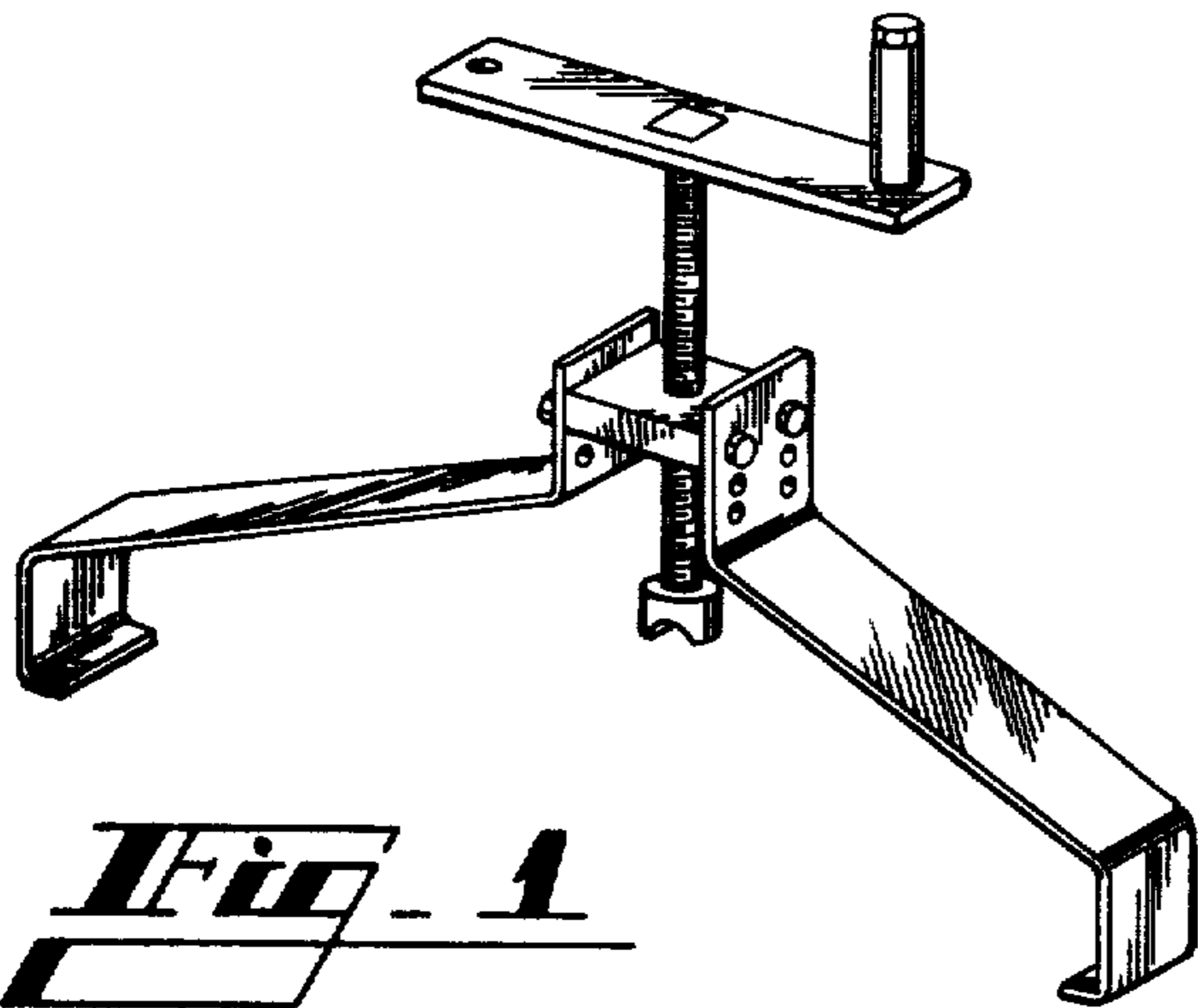


Fig. 1

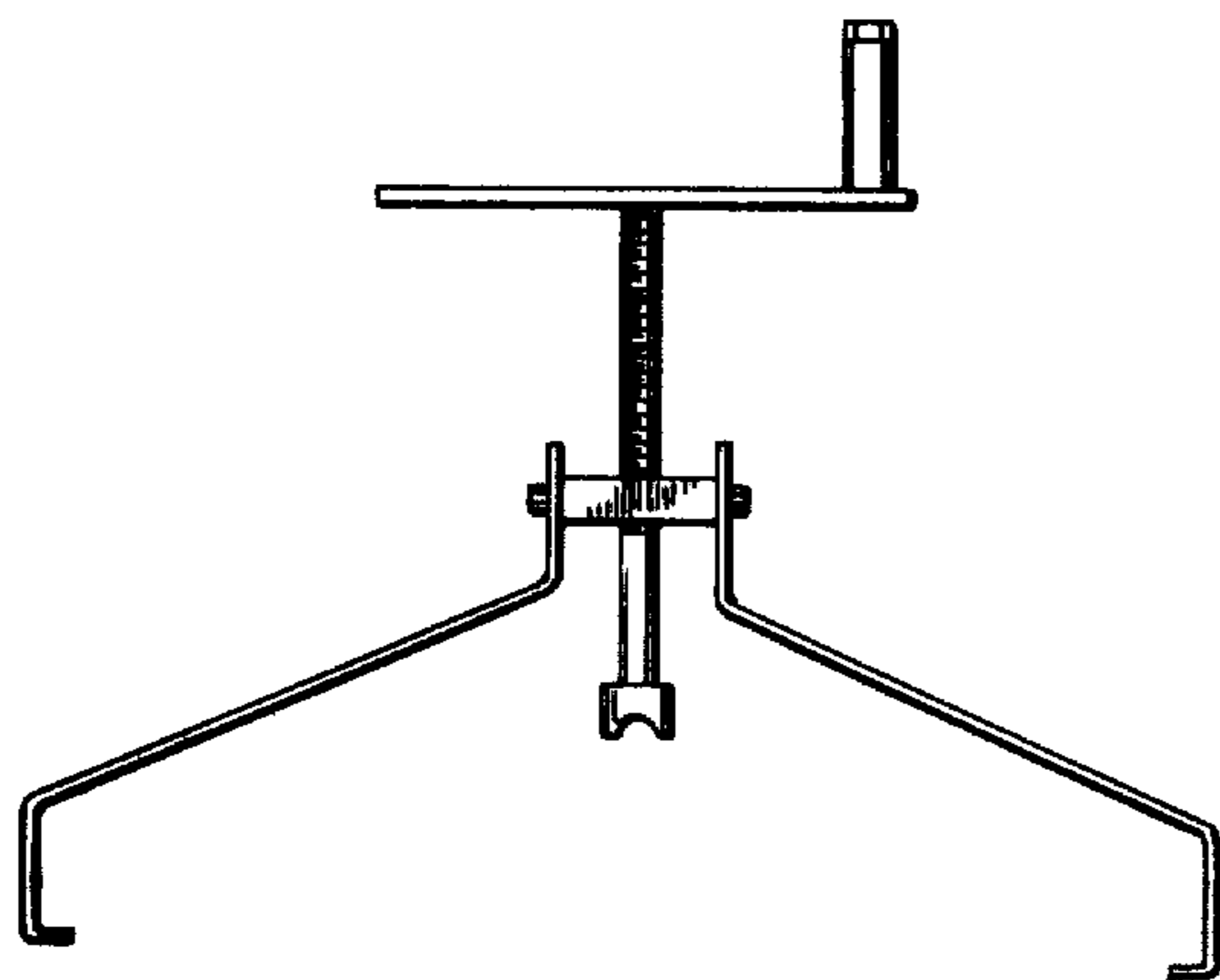


Fig. 2



Fig. 3



Fig. 4



Fig. 5



Fig. 6