

[54] GARLIC PRESS  
[76] Inventor: David P. Harris, 2523 S. Acoma,  
Denver, Colo. 80223  
[\*\*] Term: 14 Years  
[21] Appl. No.: 215,455  
[22] Filed: Dec. 11, 1980  
[51] Int. Cl. ..... D07-04  
[52] U.S. Cl. .... D7/101; D7/47;  
D7/54  
[58] Field of Search ..... D7/99, 48, 101, 47,  
D7/53, 54; 100/234, 125, 112; 241/168, 169.1;  
99/495

[56] References Cited  
U.S. PATENT DOCUMENTS  
1,744,952 1/1930 Connor ..... 241/168 X  
2,389,385 11/1945 Owen ..... 241/168 X

2,602,596 7/1952 Jones et al. .... 241/169.1  
3,004,340 10/1961 Collins ..... D7/106 X  
3,642,045 2/1972 Buvelot ..... D7/47 X

FOREIGN PATENT DOCUMENTS

857464 9/1940 France ..... 100/125  
603915 4/1960 Italy ..... 241/169.1

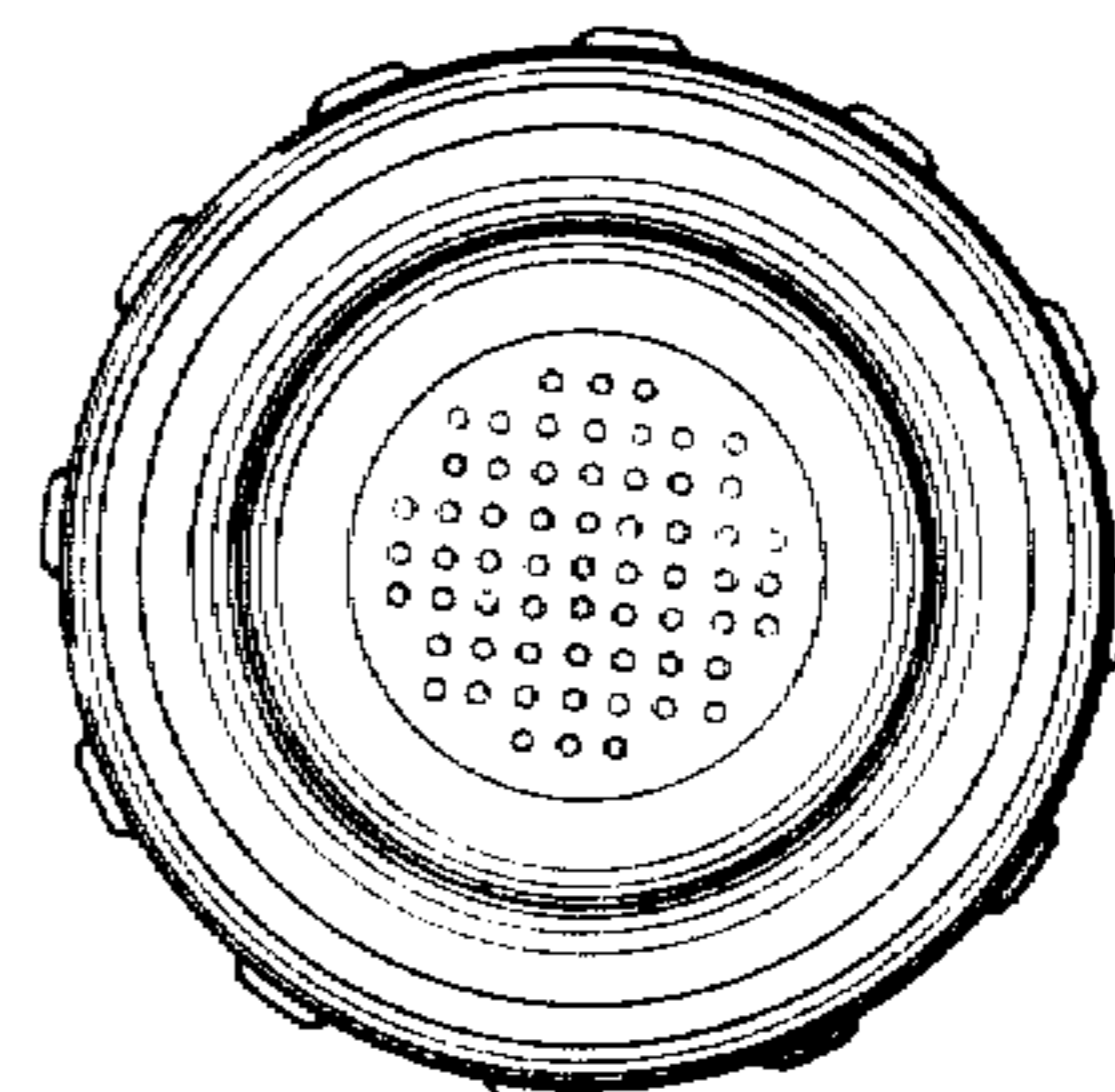
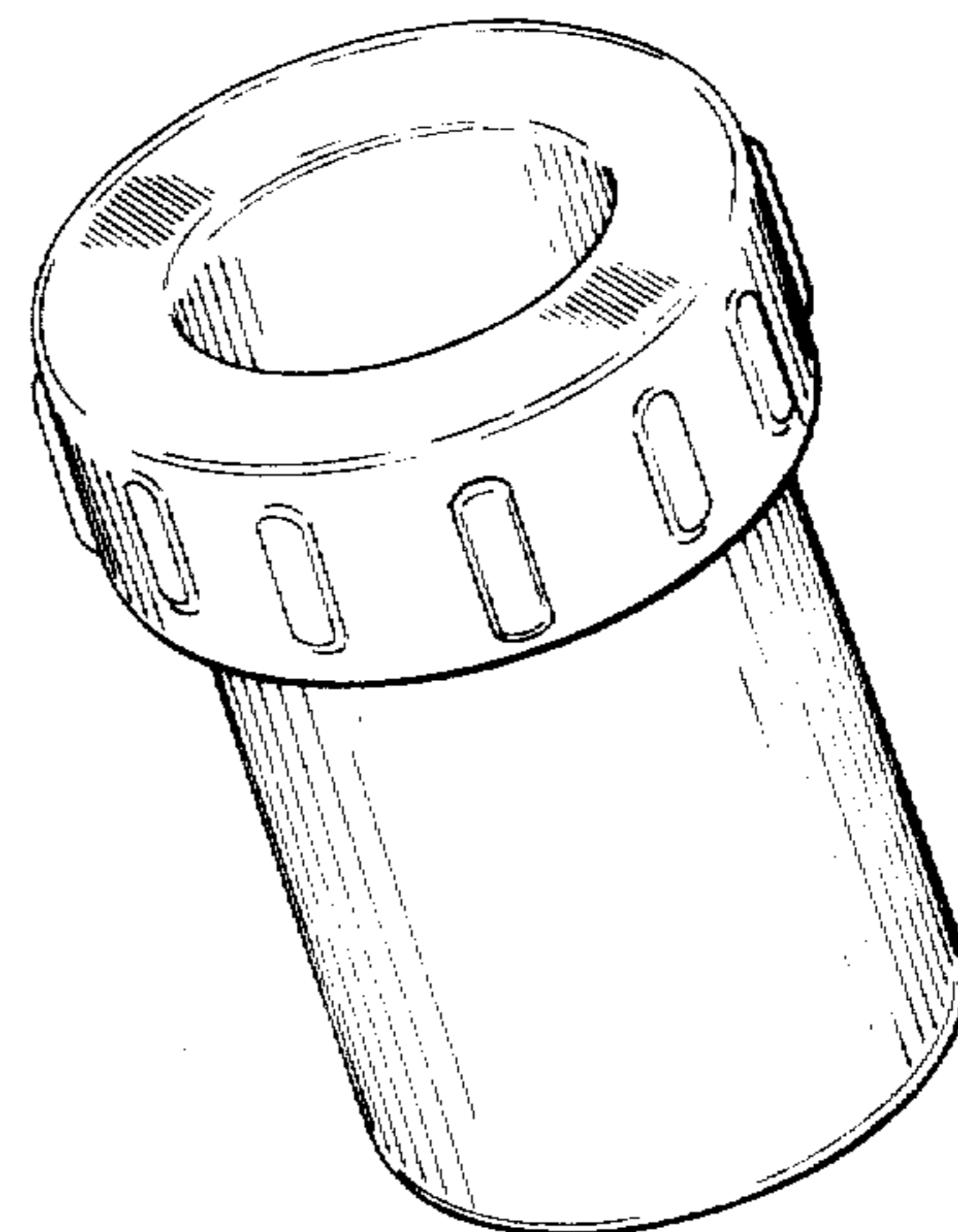
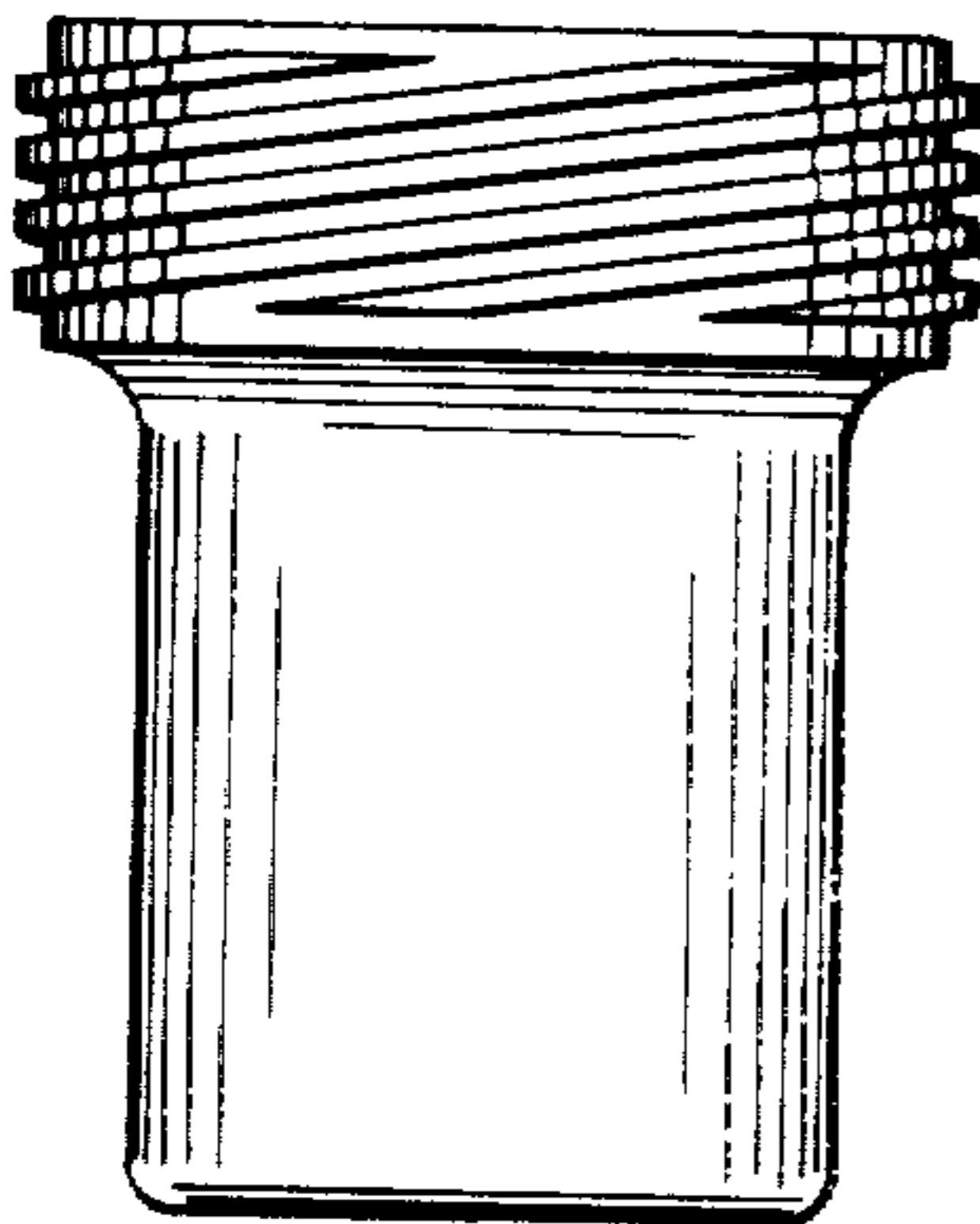
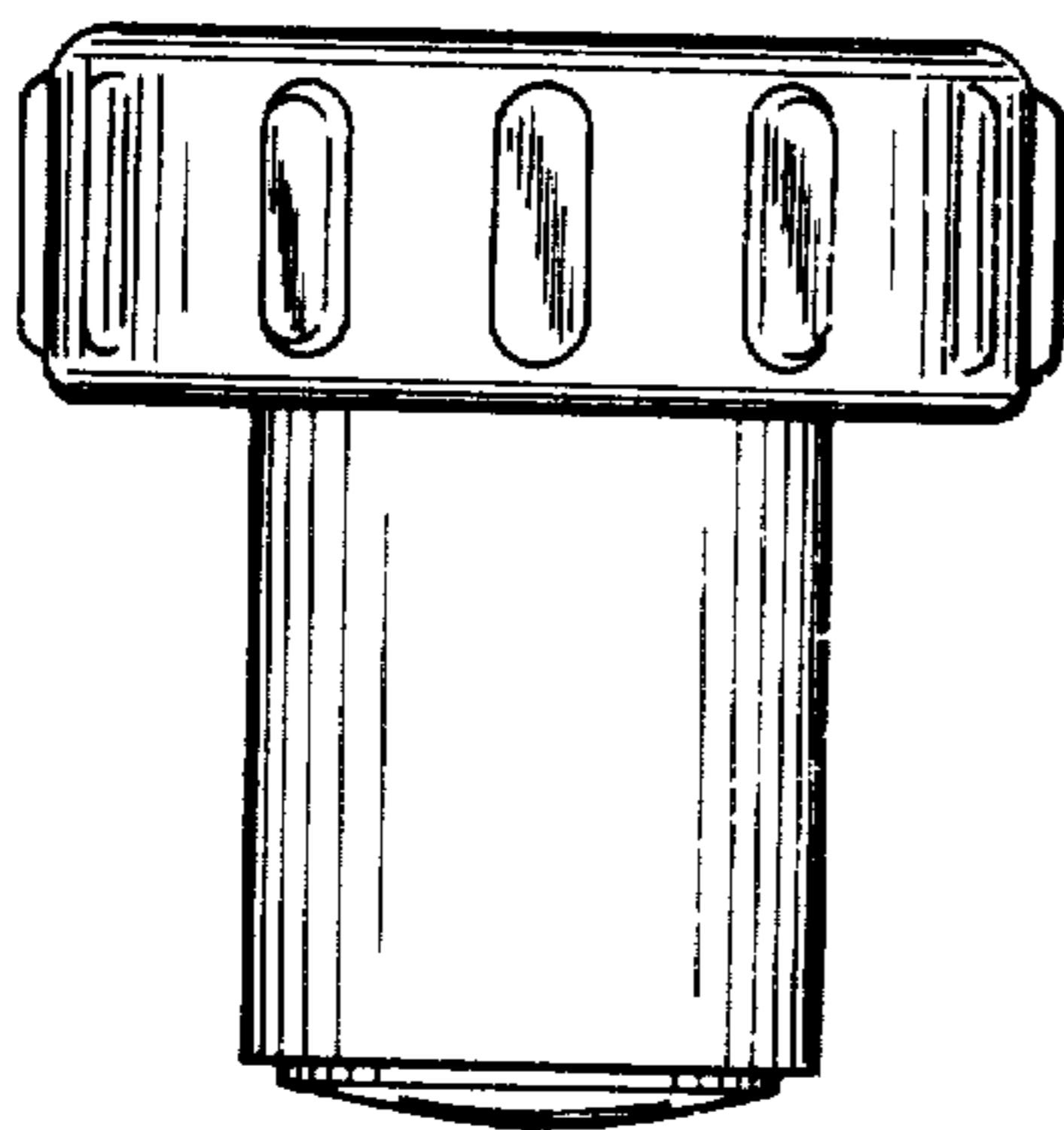
Primary Examiner—Winifred E. Herrmann  
Attorney, Agent, or Firm—Ralph F. Crandell

[57] CLAIM

The ornamental design for a garlic press, as shown.

DESCRIPTION

FIG. 1 is a perspective view of a garlic press embodying my new design.  
FIG. 2 is a side elevational view thereof.  
FIG. 3 is a top plan view thereof.  
FIG. 4 is a bottom plan view thereof.  
FIG. 5 is an exploded side elevational view thereof.



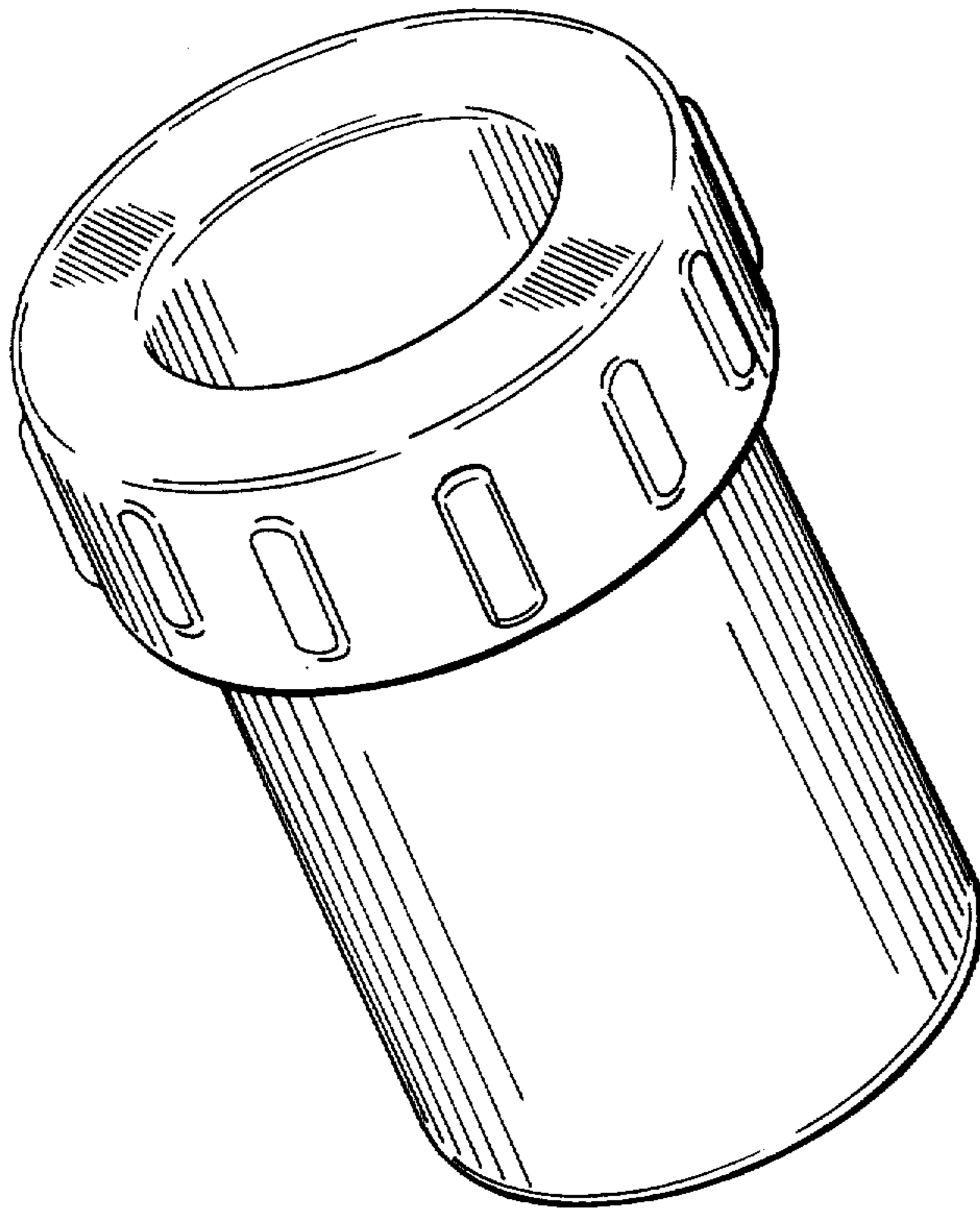


FIG. 1

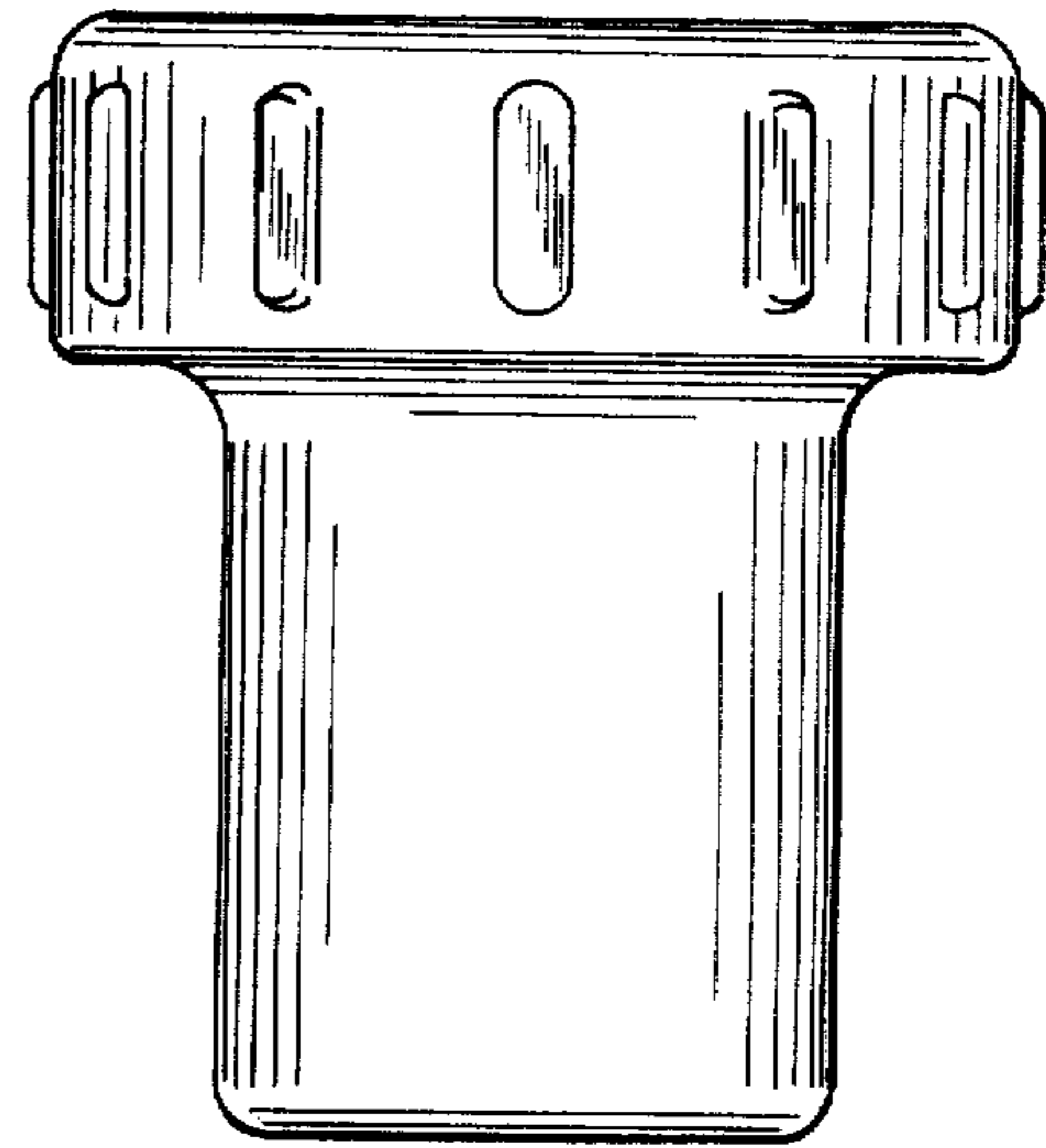


FIG. 2

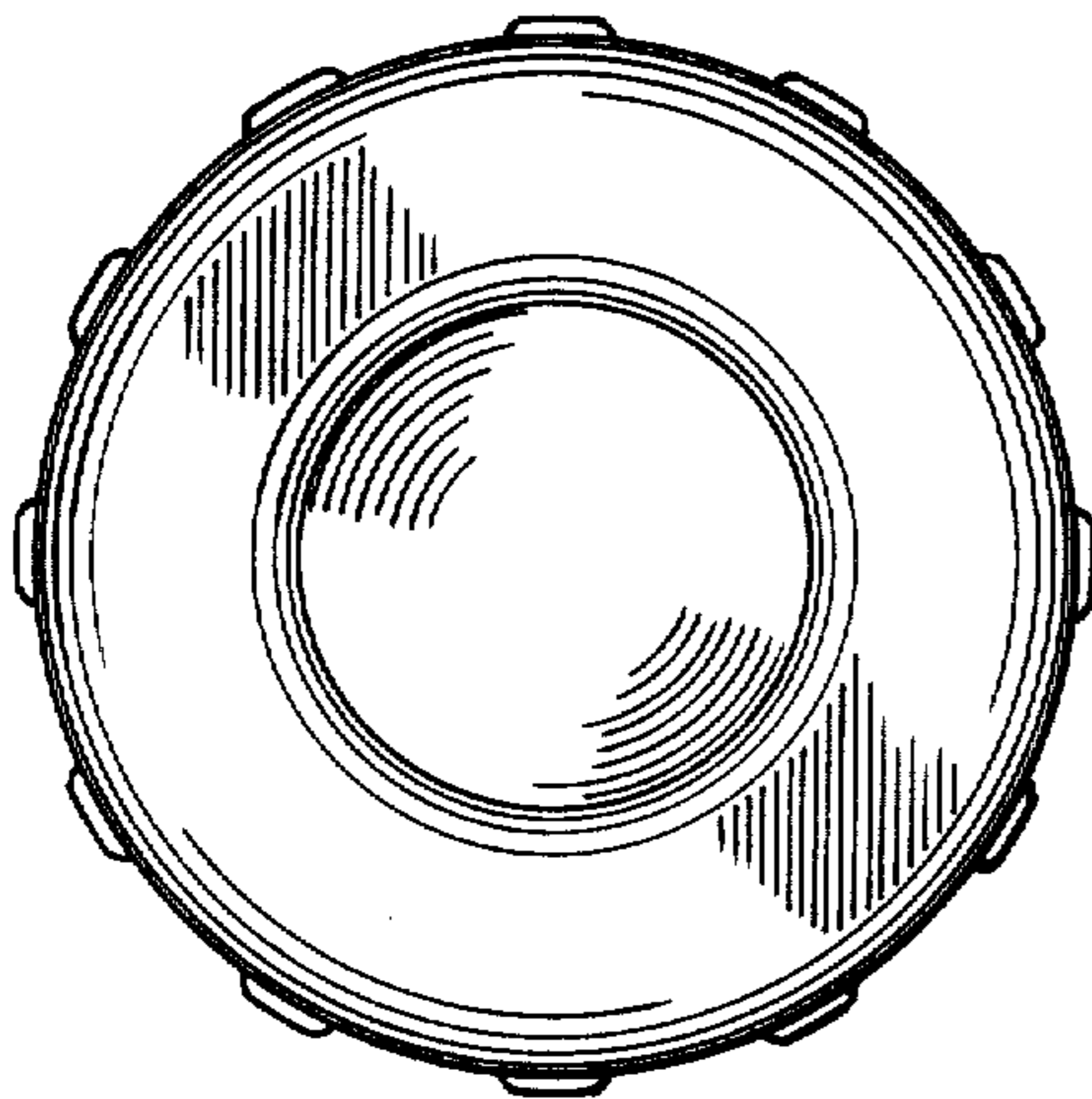


FIG. 3

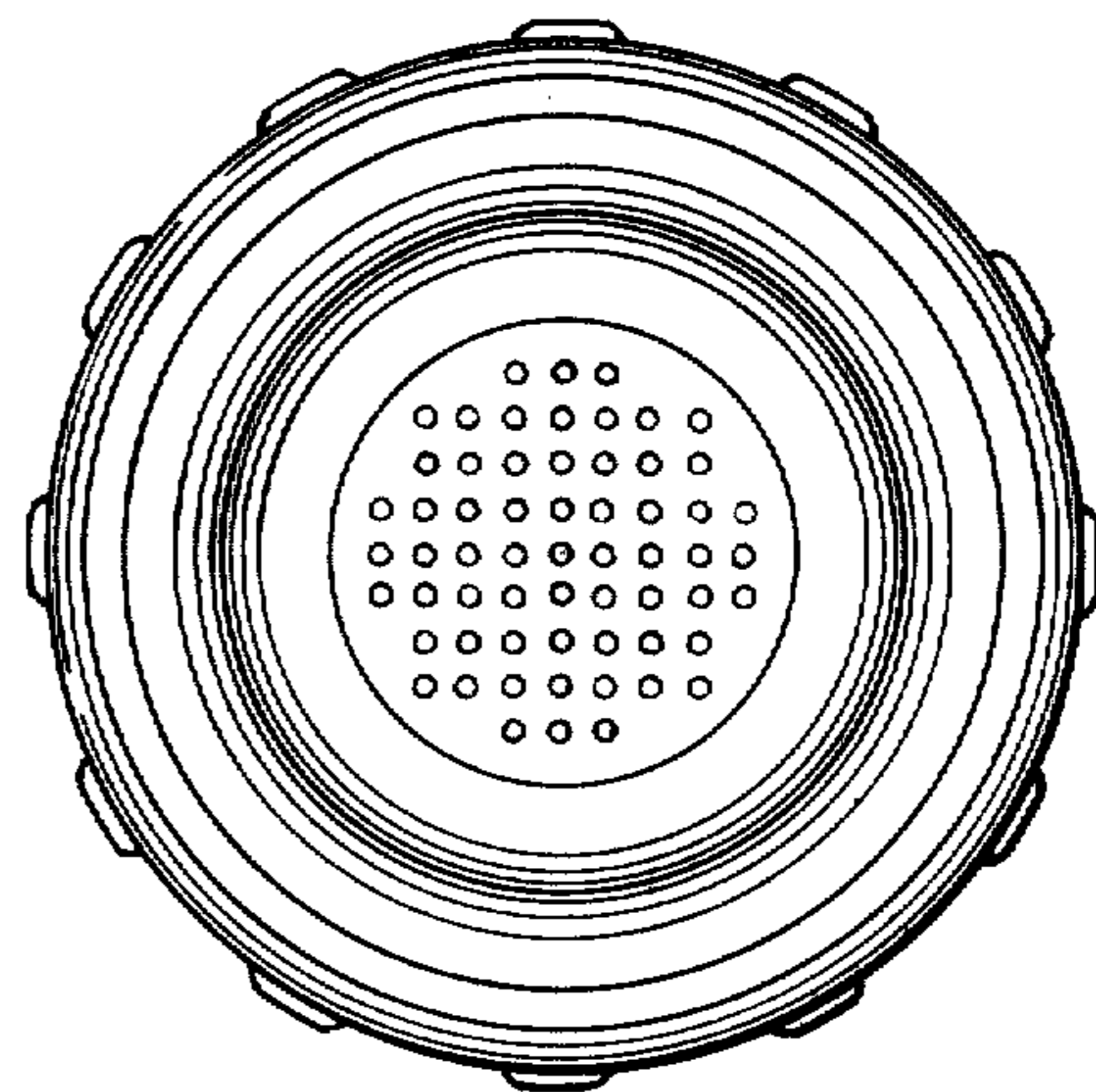


FIG. 4

