

[54] **TEA KETTLE OR SIMILAR ARTICLE**  
 [76] Inventor: Joy Christov Urich, 1133 Park Ave.,  
 New York, N.Y. 10028  
 [\*\*] Term: 14 Years  
 [21] Appl. No.: 190,525  
 [22] Filed: Sep. 23, 1980  
 [51] Int. Cl. .... D7-02  
 [52] U.S. Cl. .... D7/320  
 [58] Field of Search ..... D7/59, 60, 66, 67, 65

References Cited

U.S. PATENT DOCUMENTS

D. 3,481 5/1869 Lawrence ..... D7/65  
 D. 70,229 5/1926 Johnson ..... D7/60  
 D. 75,387 5/1928 Rice ..... D7/60

OTHER PUBLICATIONS

*Kreamerware—The Quality Tinware*, Cat. #10, Japanned-

ware ©1920, p. 19, Oval Hot Water Carrier, 2nd item up from bottom.

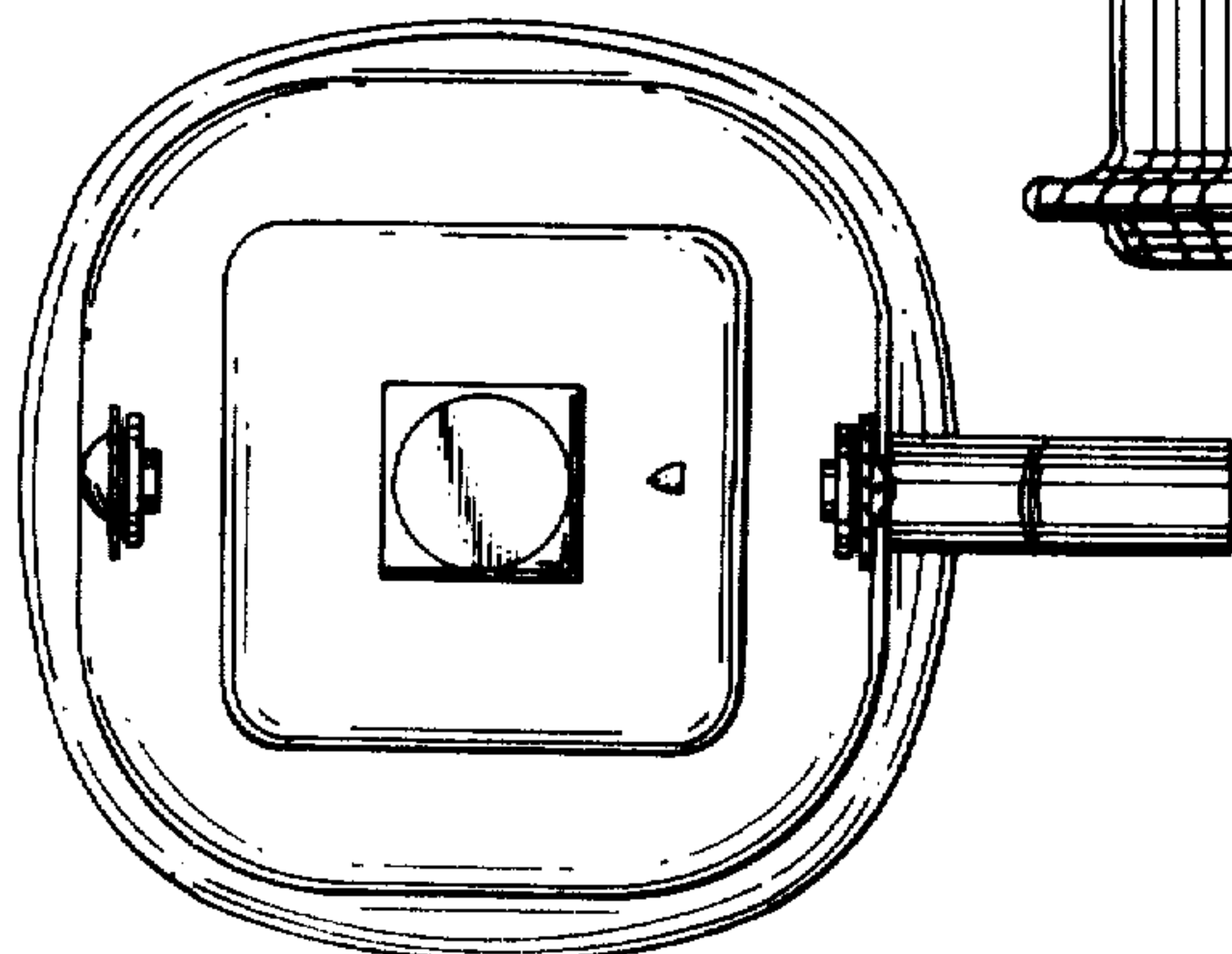
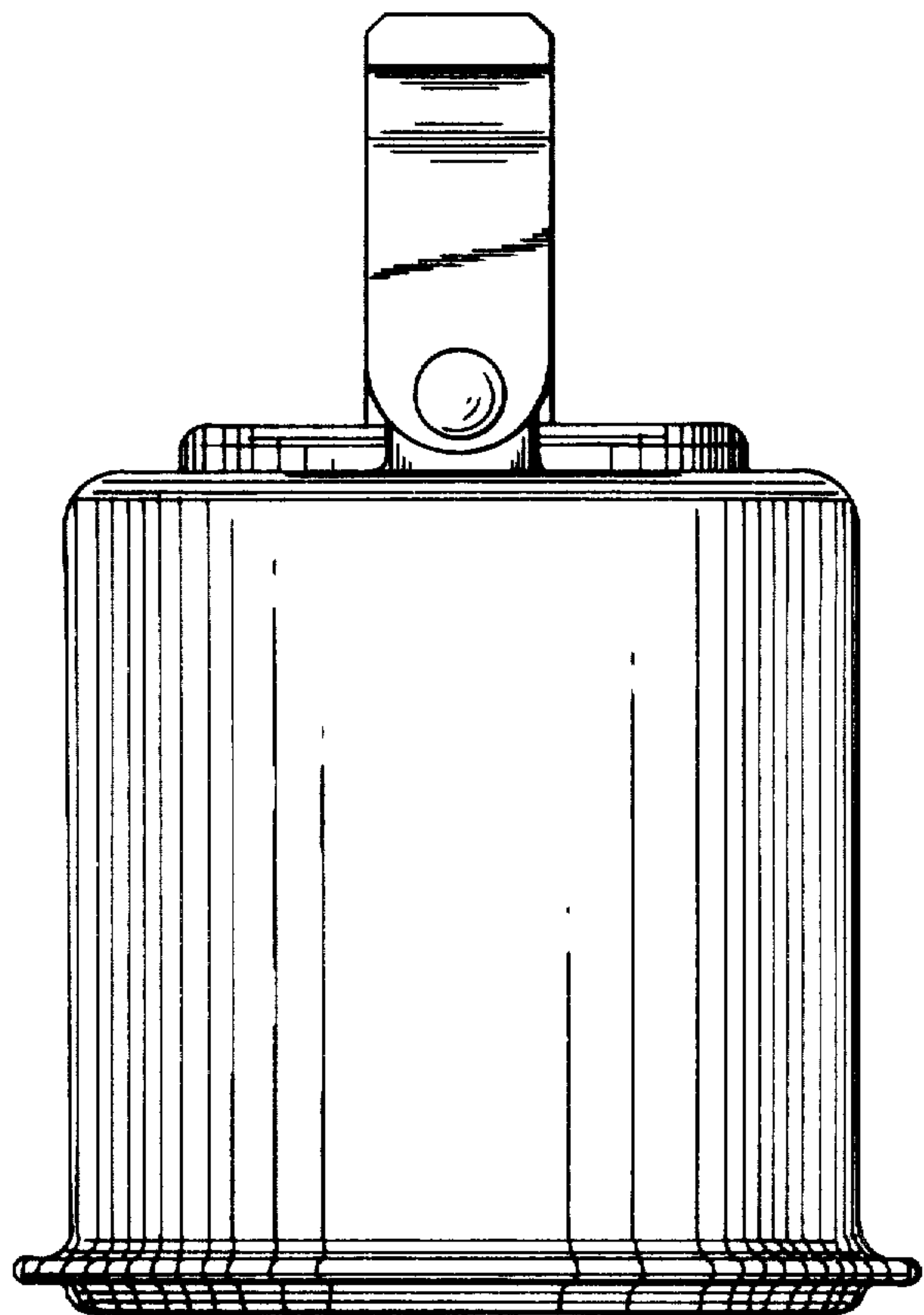
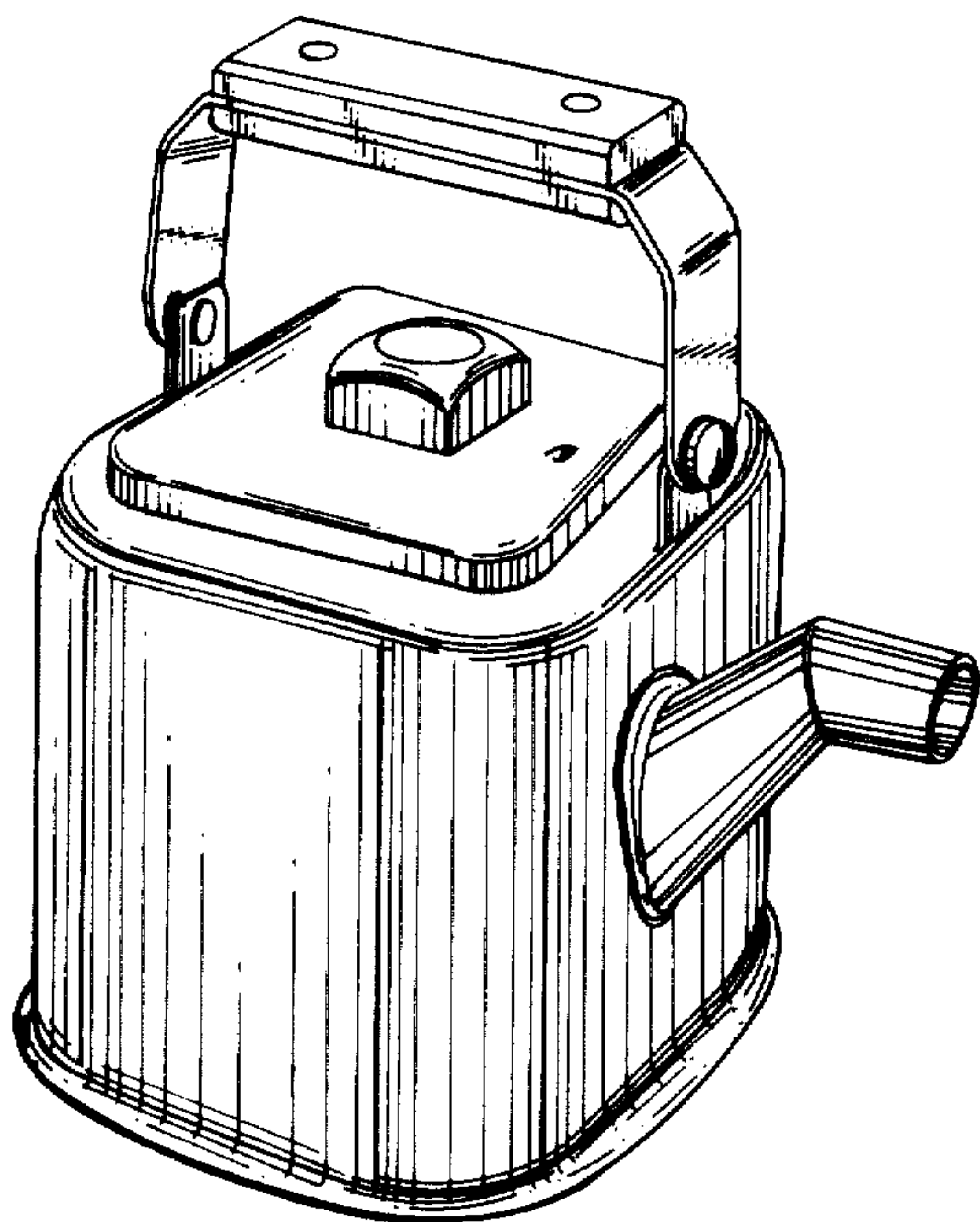
*Primary Examiner*—Winifred E. Herrmann  
*Attorney, Agent, or Firm*—Allison C. Collard; Thomas M. Galgano

[57] CLAIM

The ornamental design for a tea kettle or similar article, substantially as shown and described.

DESCRIPTION

FIG. 1 is a top, front and left side perspective view of a tea kettle or similar article showing my new design;  
 FIG. 2 is a left side elevational view thereof (the right side elevational view being the same);  
 FIG. 3 is a top plan view thereof taken along lines 3—3 of FIG. 2;  
 FIG. 4 is a front elevational view thereof;  
 FIG. 5 is a bottom plan view thereof; and  
 FIG. 6 is a rear elevational view thereof.



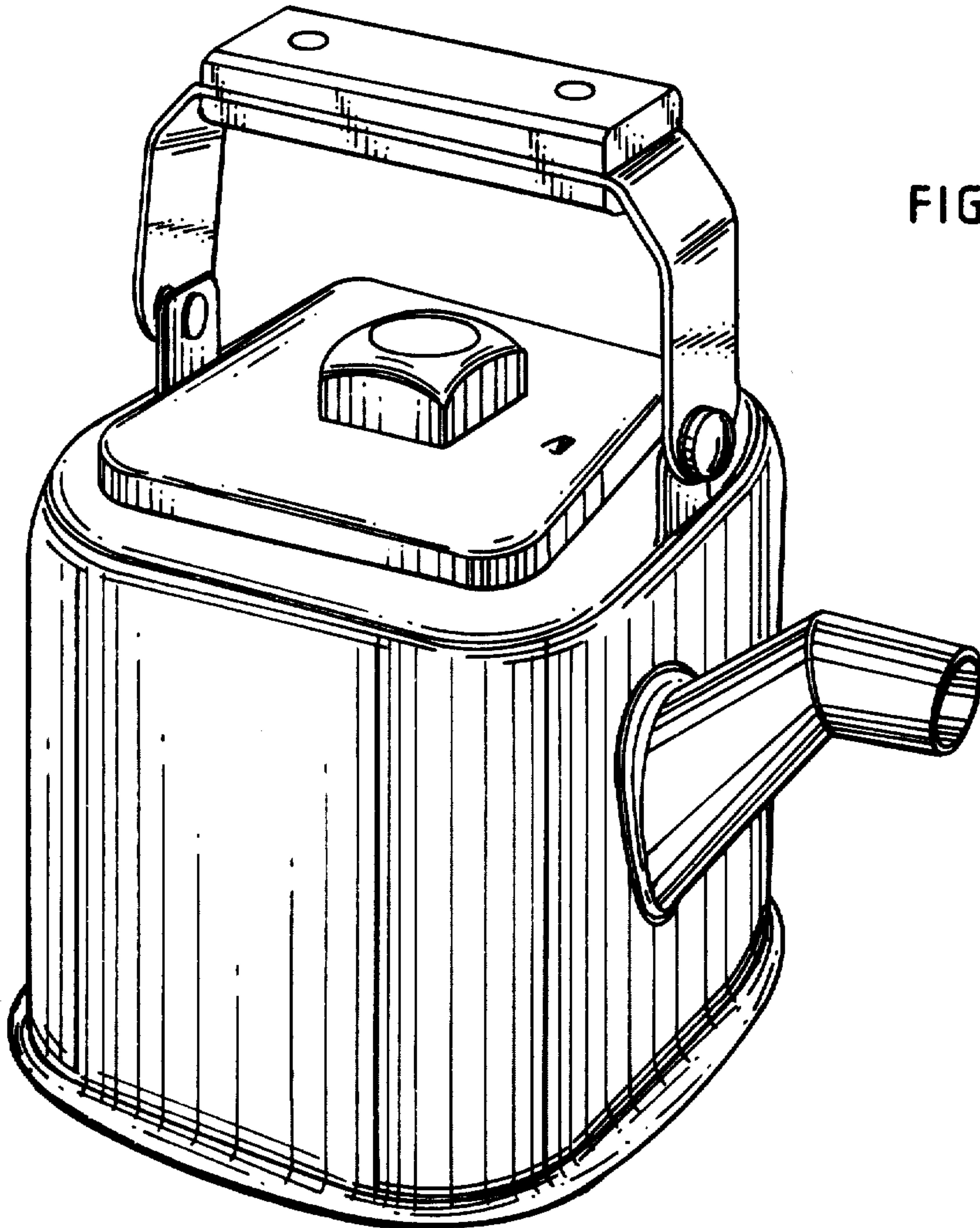


FIG. 1

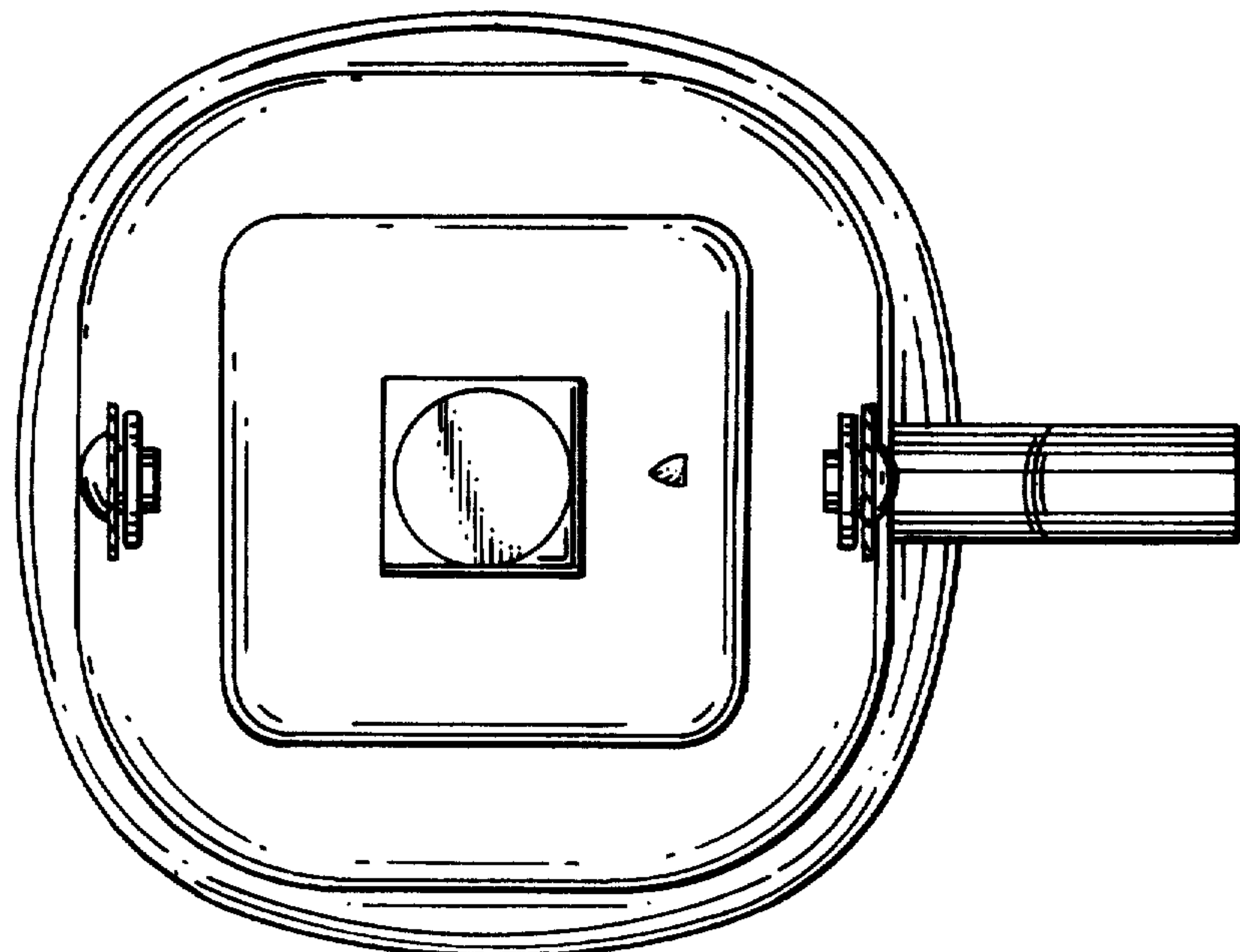


FIG. 3

FIG.2

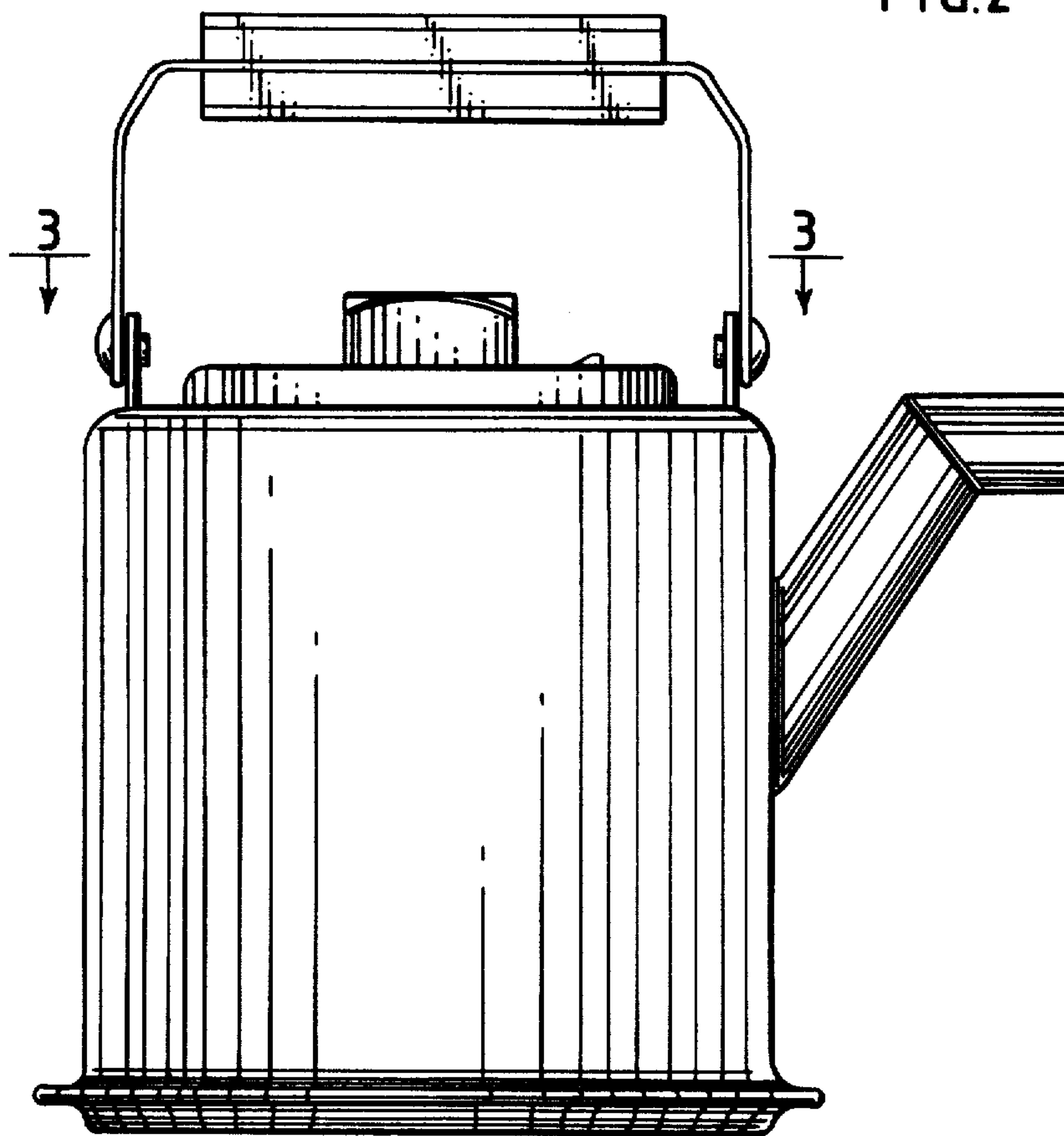
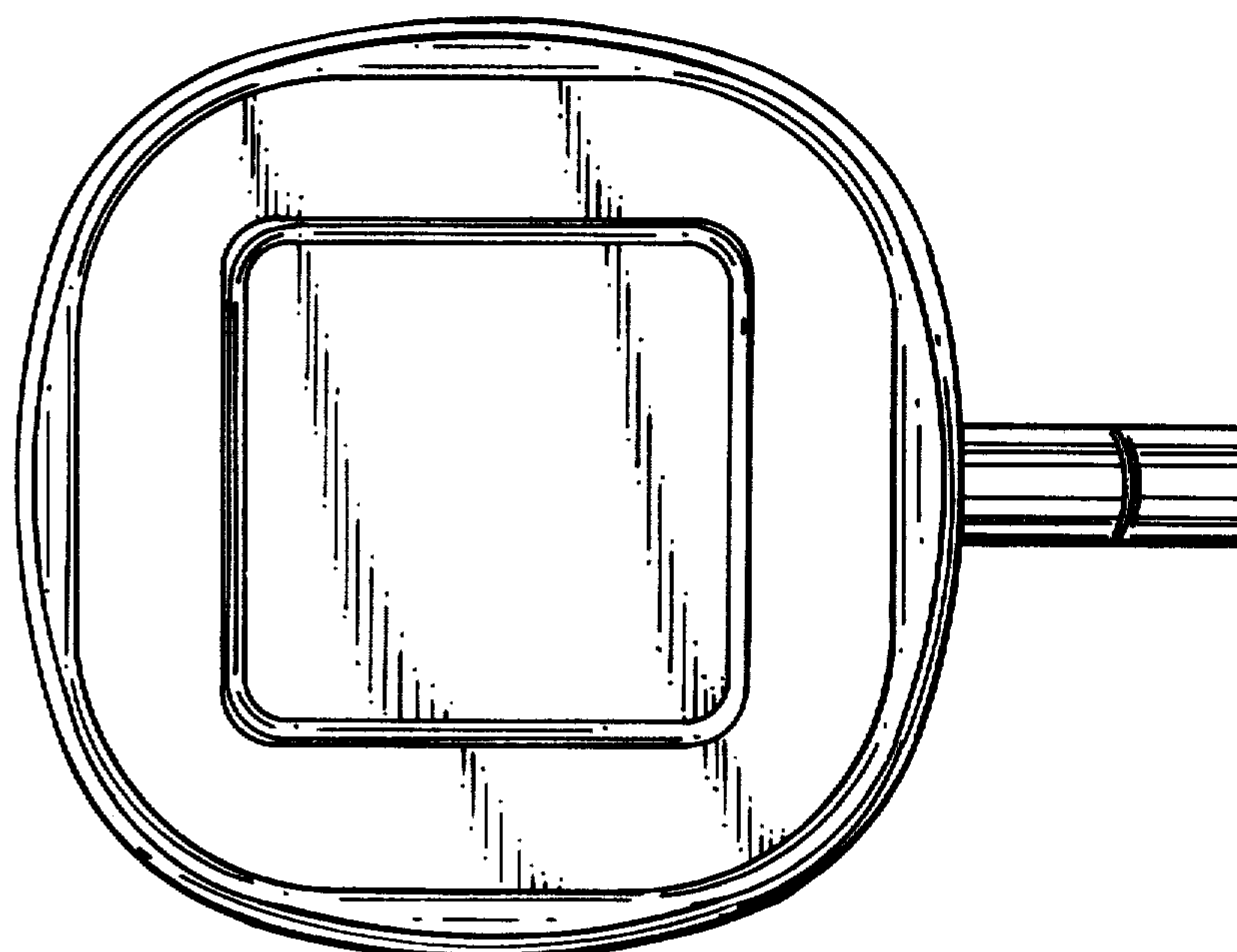


FIG.5



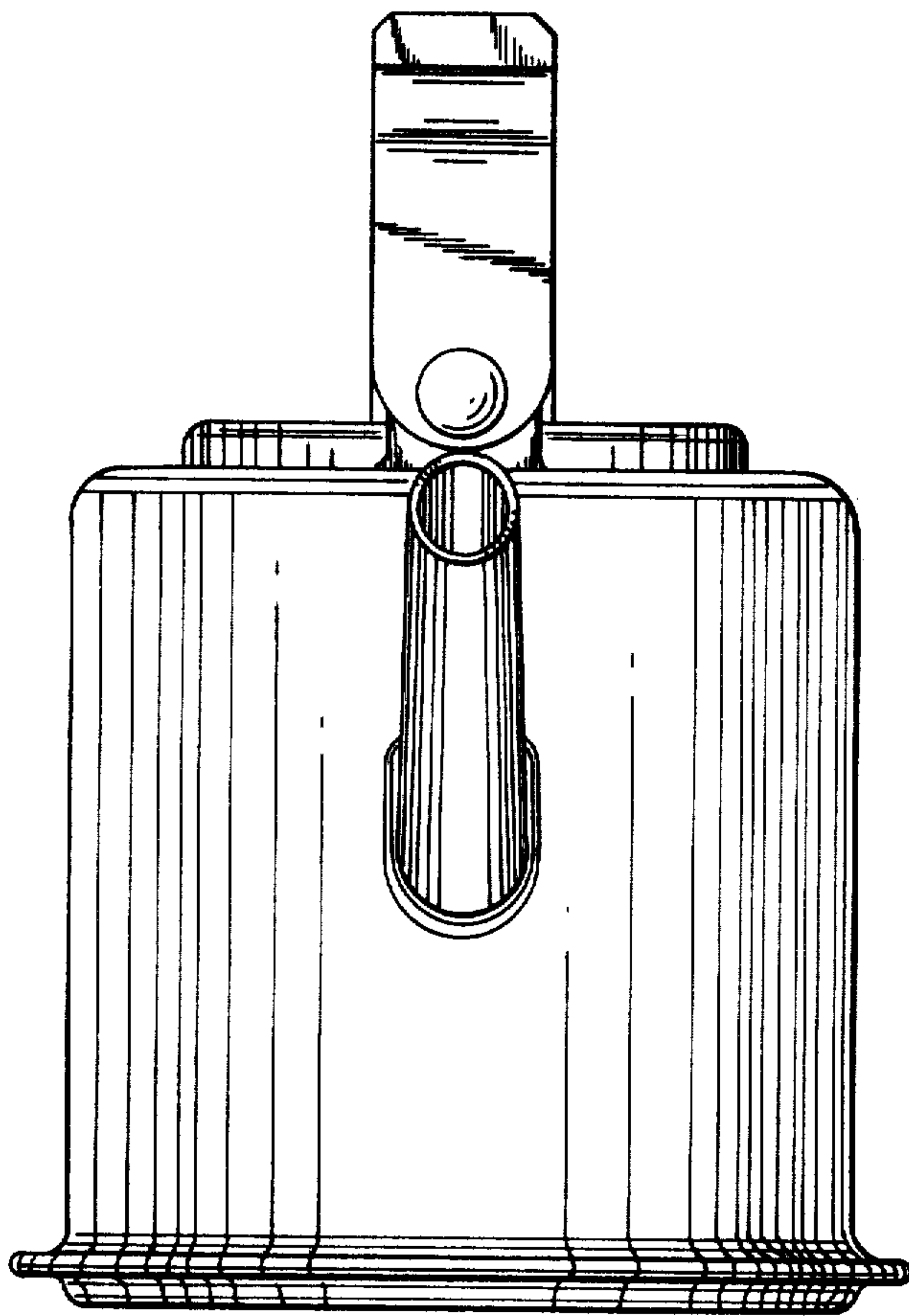


FIG. 4

FIG. 6

