

[54] FLOUR SIFTER

[76] Inventor: John S. Doyel, 404 W. 20th St., New York, N.Y. 10011

[\*\*] Term: 14 Years

[21] Appl. No.: 188,956

[22] Filed: Sep. 19, 1980

[51] Int. Cl. .... D07-04

[52] U.S. Cl. .... D7/47

[58] Field of Search ..... D7/47, 99; 209/236, 209/259, 355, 357

[56] References Cited

U.S. PATENT DOCUMENTS

D. 97,173	10/1935	Andrews	.....	D7/47
909,649	1/1909	Newell	.....	209/357 X
1,005,991	10/1911	McEachron	.....	209/357 X
1,137,068	4/1915	McEachron	.....	209/357
2,244,186	6/1941	Braun	.....	209/357 X
2,576,746	11/1951	Barnes	.....	209/357 X

OTHER PUBLICATIONS

Williams-Sonoma Catalog for Cooks, Fall/Winter 1976, ©1976, p. 34, Item C, bottom left, Works on a flashlight battery Elec. Flour Sifter by invento.

Primary Examiner—Winifred E. Herrmann  
Attorney, Agent, or Firm—Cooper, Dunham, Clark, Griffin & Moran

[57] CLAIM

The ornamental design for a flour sifter, as shown and described.

DESCRIPTION

FIG. 1 is a perspective view of a flour sifter showing my new design.

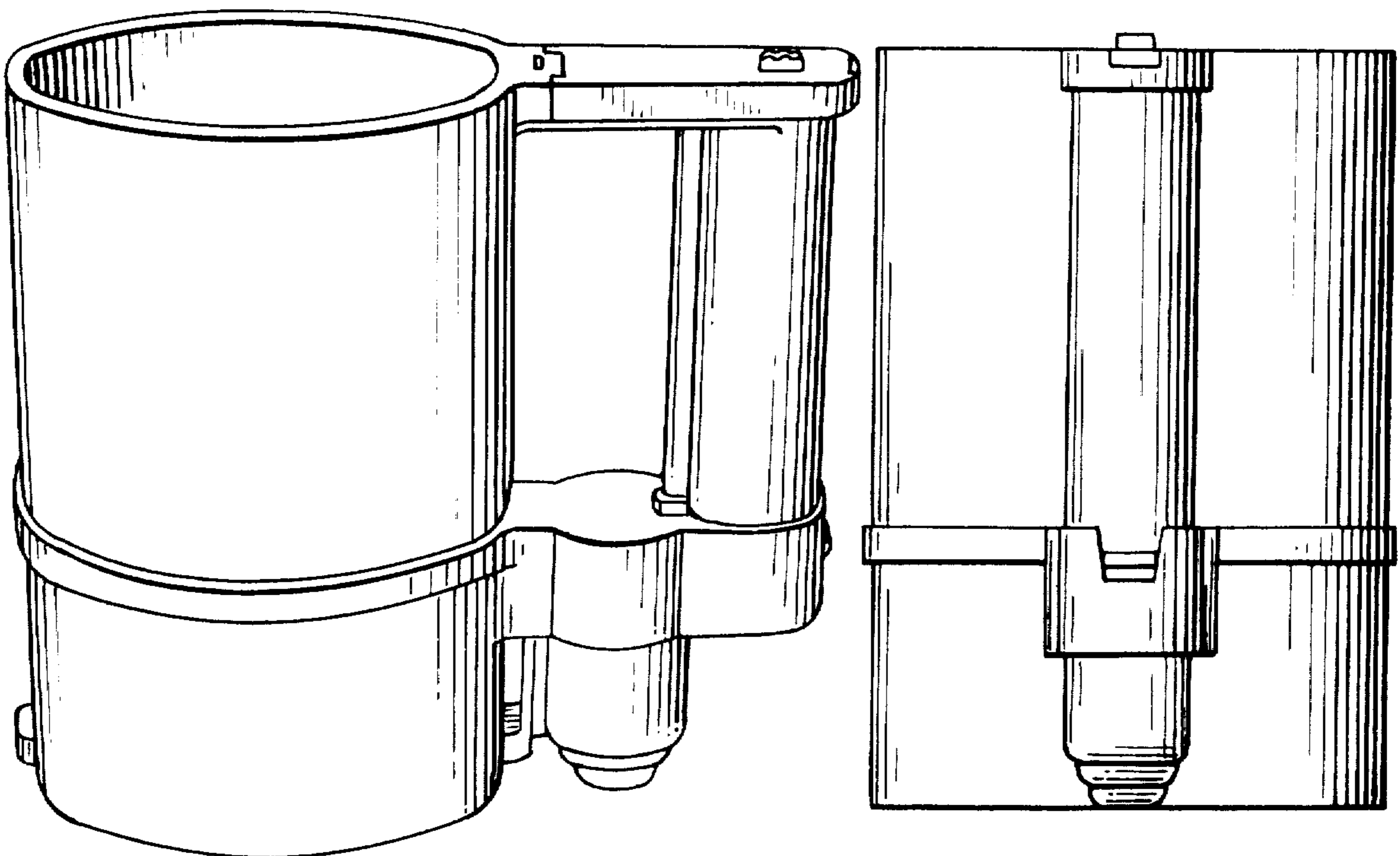
FIG. 2 is a top plan view thereof.

FIG. 3 is a bottom plan view thereof.

FIG. 4 is a side elevational view thereof, the other side being a mirror image of the side shown in FIG. 4.

FIG. 5 is a front elevational view thereof.

FIG. 6 is a rear elevational view thereof.



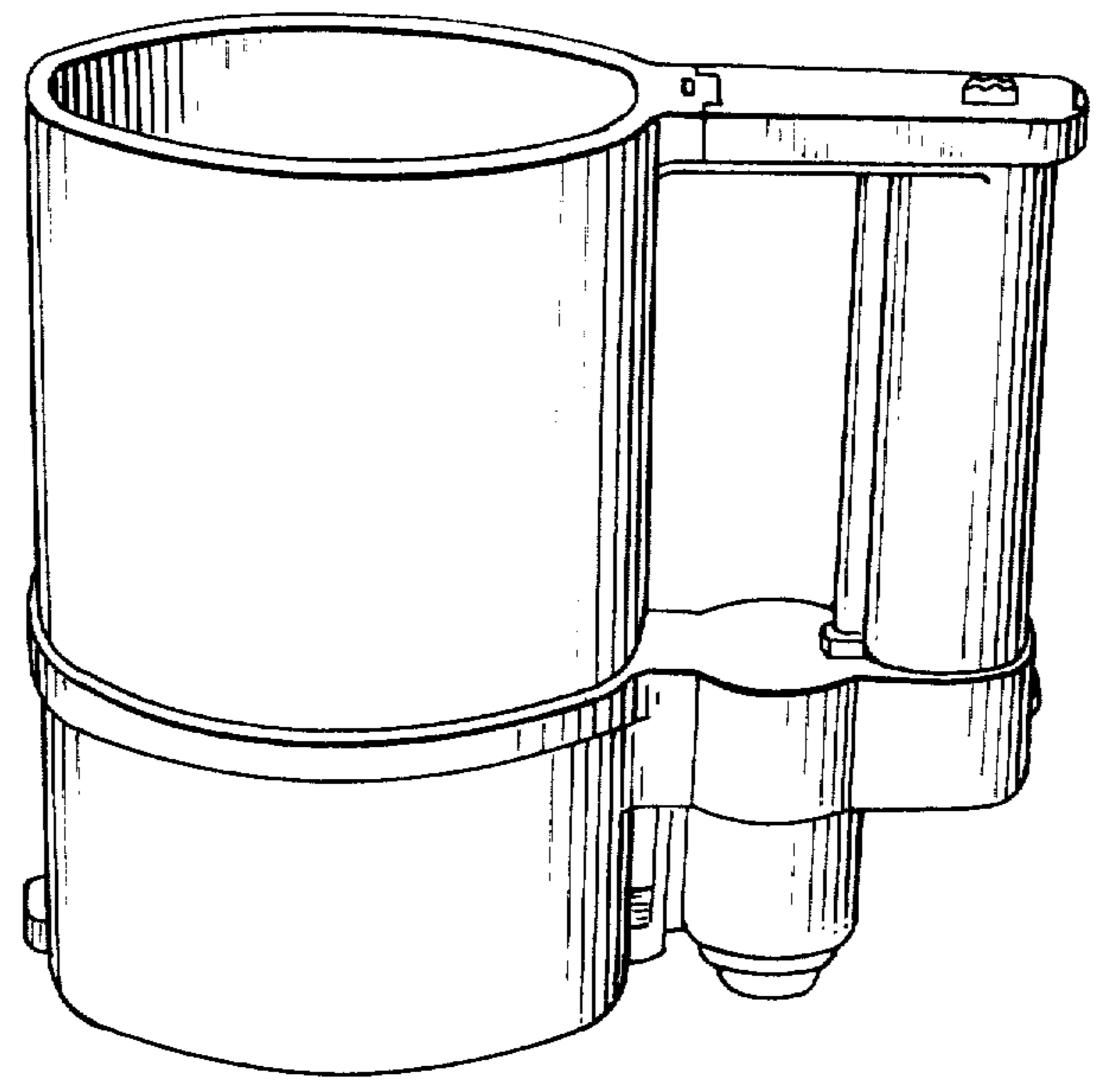


Fig. 1.

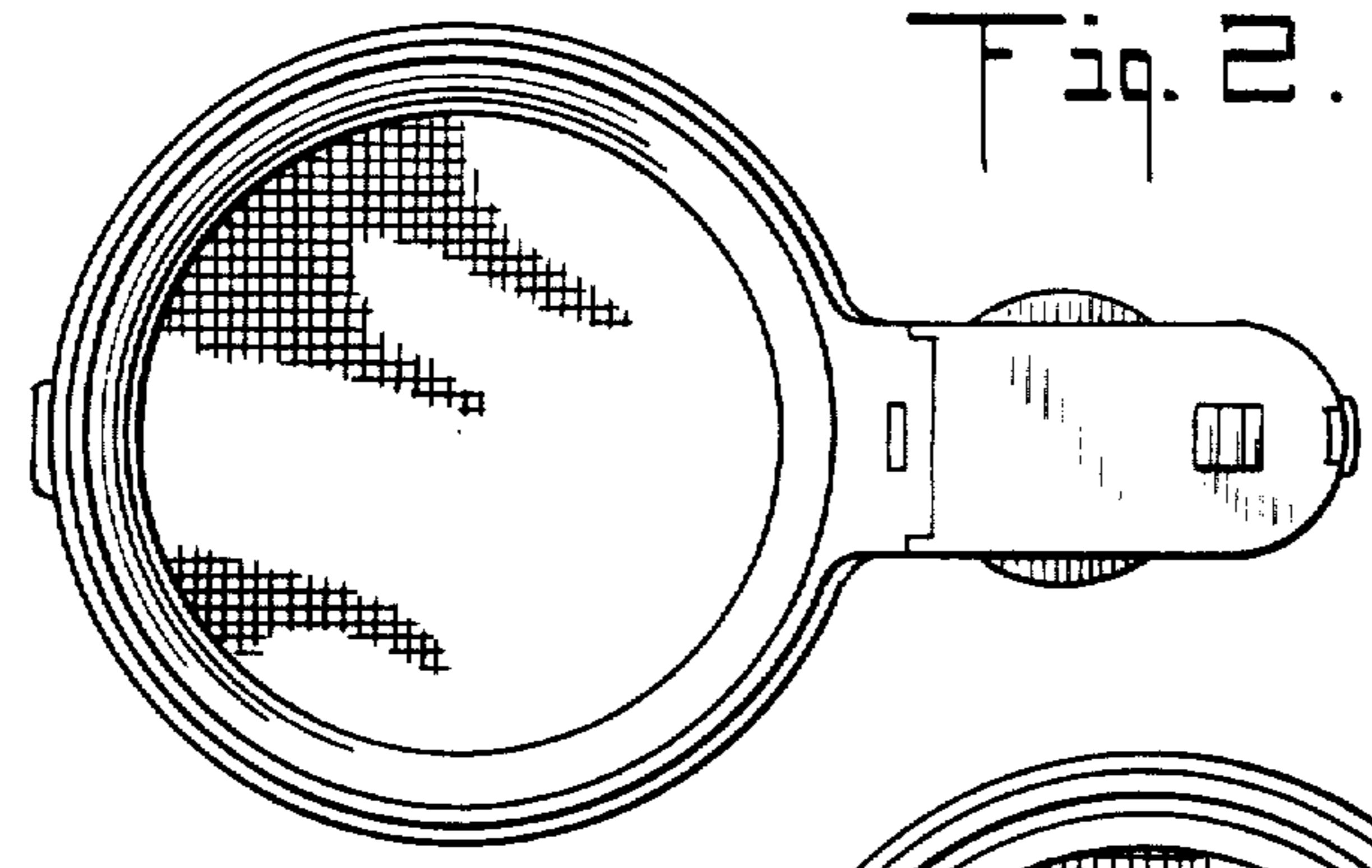


Fig. 2.

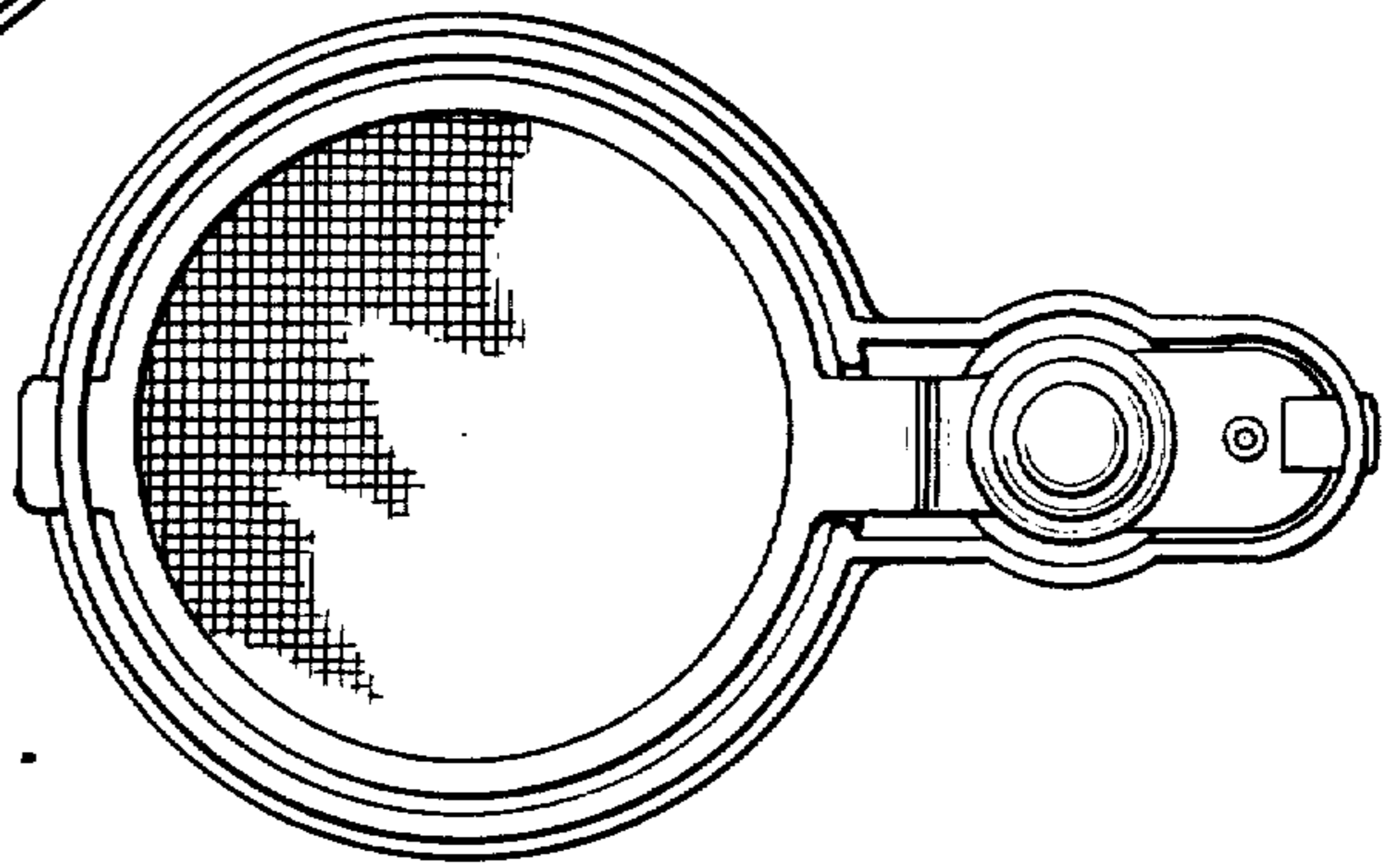


Fig. 3.

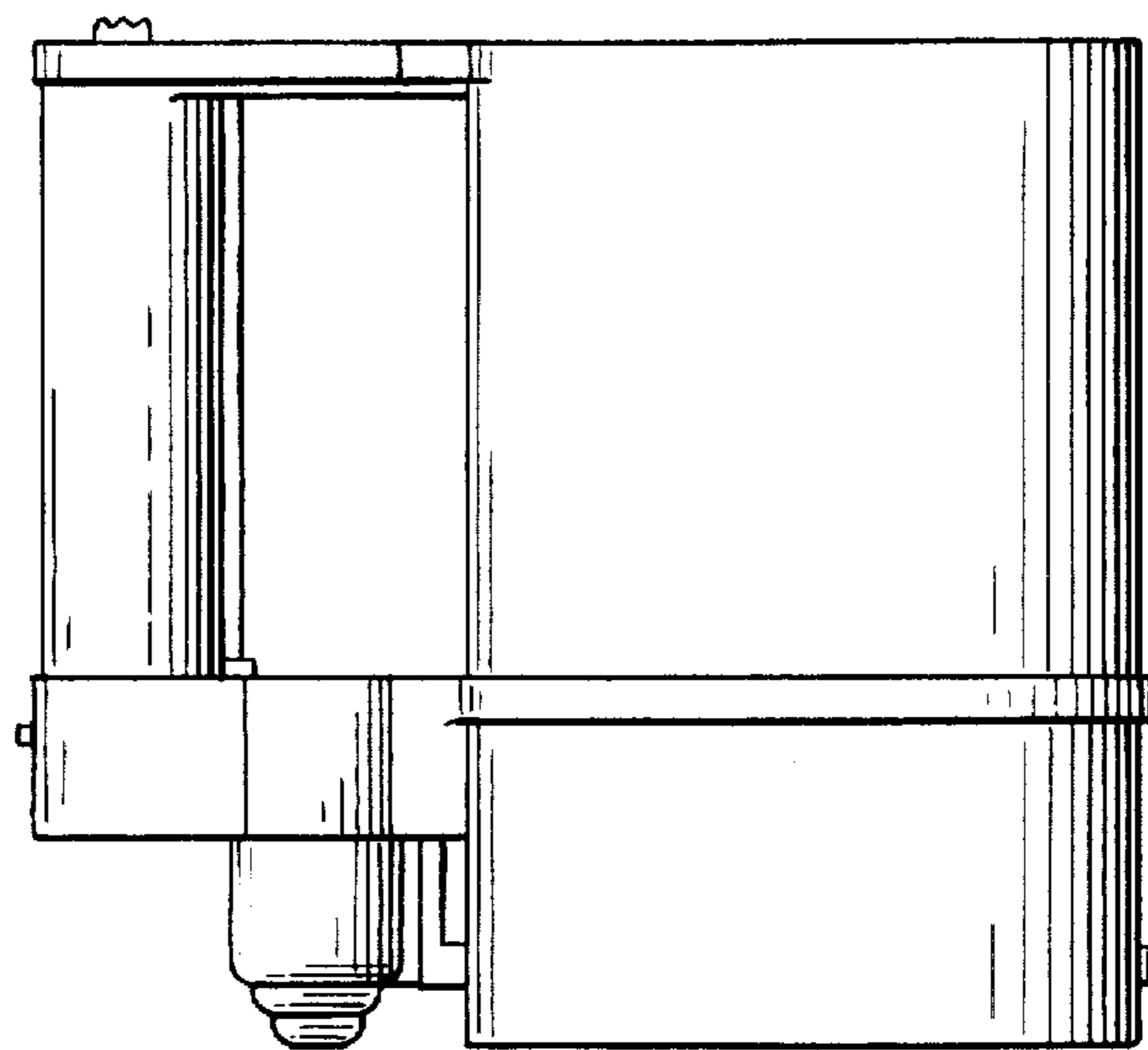


Fig. 4.

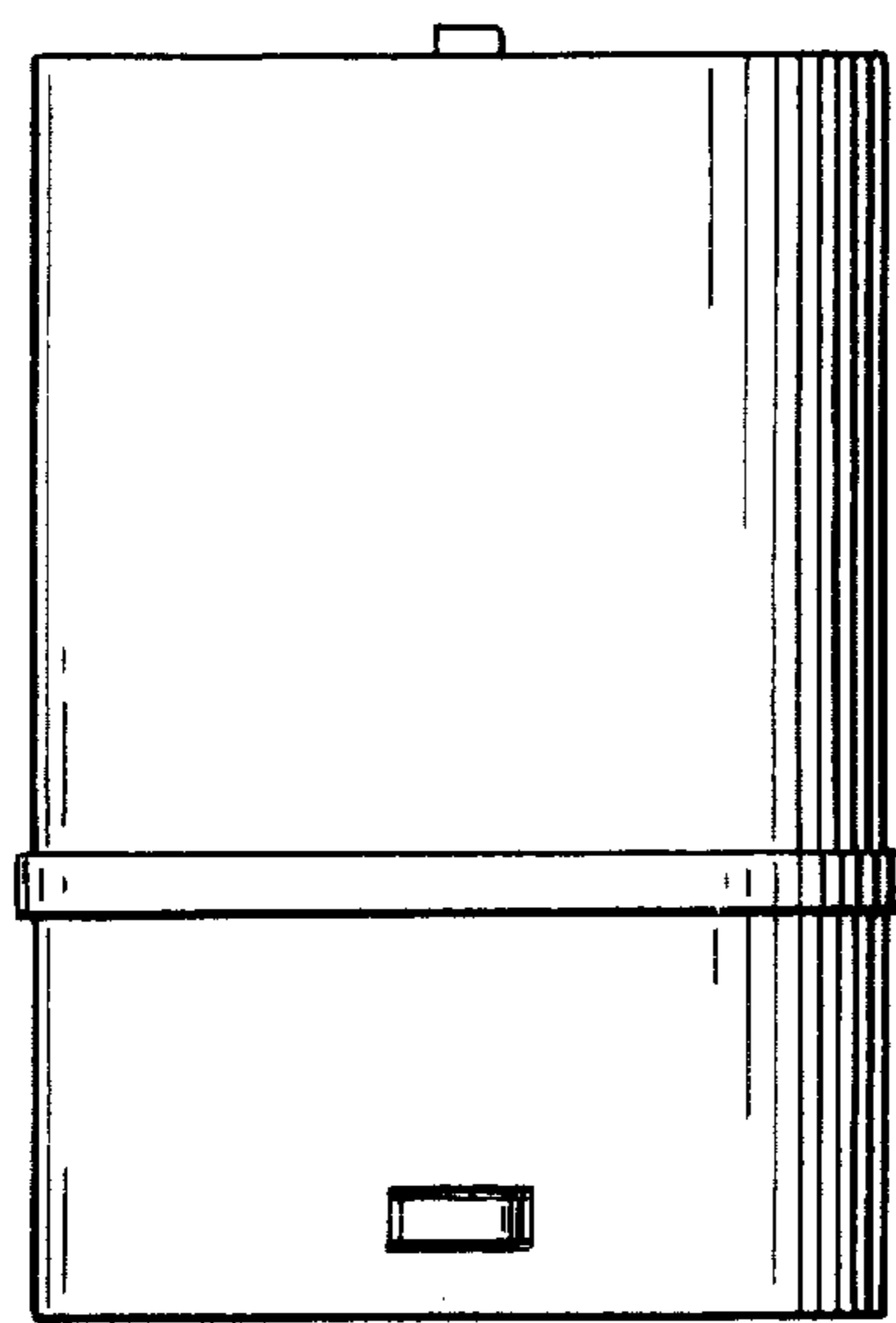


Fig. 5.

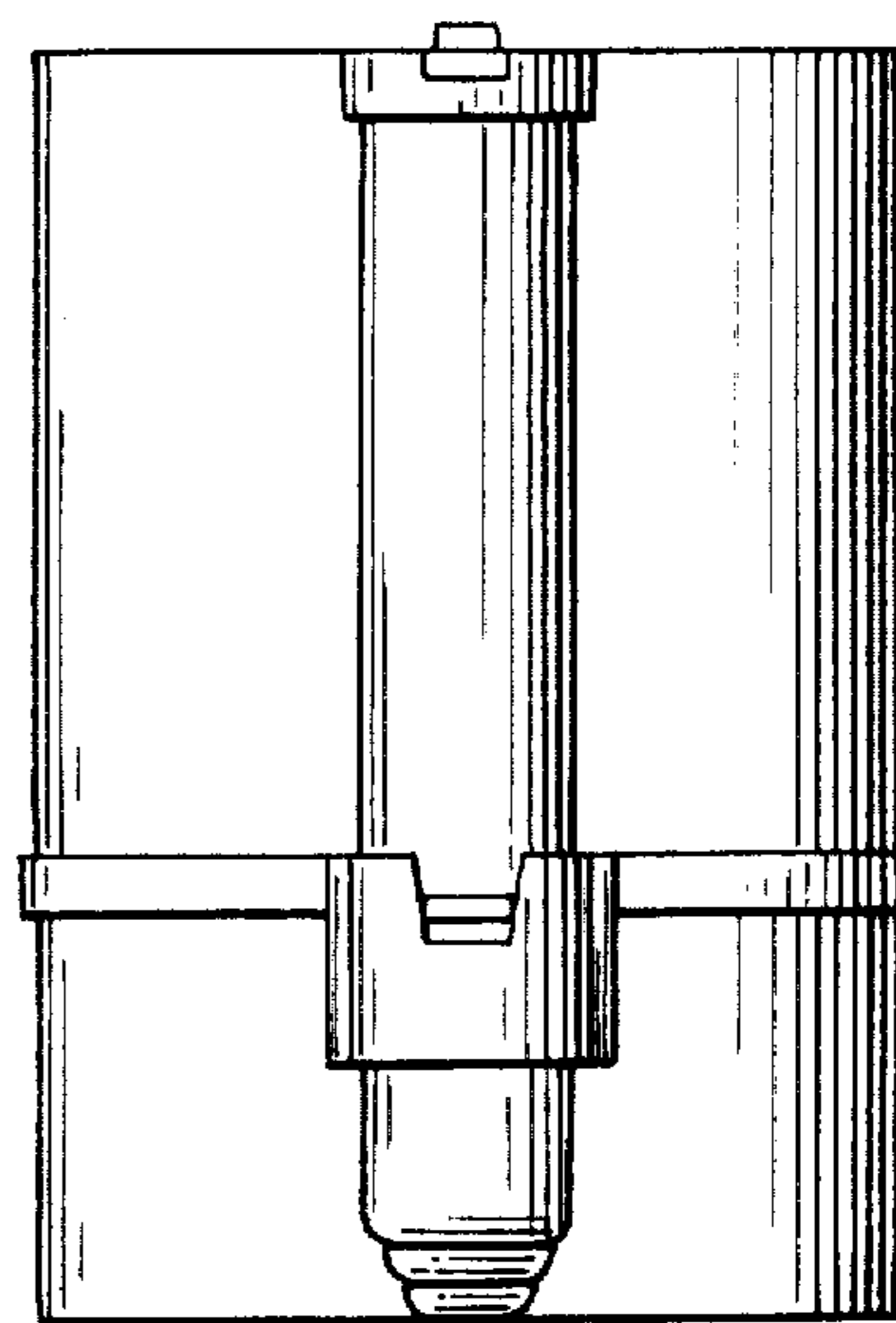


Fig. 6.