

[54] TACO PLATE

[76] Inventor: Cheri L. Schupp, 5013 Hillcrest Ct., Plainfield, Ind. 46168

[**] Term: 14 Years

[21] Appl. No.: 211,253

[22] Filed: Nov. 28, 1980

[51] Int. Cl. D07-01

[52] U.S. Cl. D7/27

[58] Field of Search D7/23, 27, 45, 3

[56] References Cited

U.S. PATENT DOCUMENTS

D. 244,338 5/1977 Yauger D7/23
1,596,716 8/1926 Clarke D7/23 X

FOREIGN PATENT DOCUMENTS

219365 of 1923 United Kingdom D7/45 X

Primary Examiner—Winifred E. Herrmann

Attorney, Agent, or Firm—Woodard, Weikart, Emhardt & Naughton

[57] CLAIM

The ornamental design for a taco plate, as shown and described.

DESCRIPTION

FIG. 1 is a perspective view of a taco plate, showing my new design.

FIG. 2 is a top plan view thereof.

FIG. 3 is a front elevational view thereof.

FIG. 4 is a section therethrough taken at line 4-4 in FIG. 2 and viewed in the direction of the arrows.

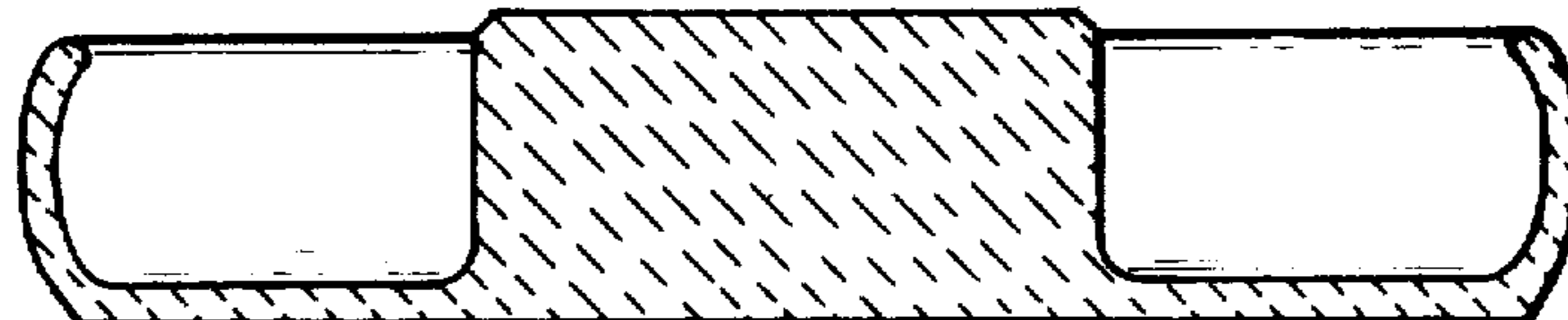
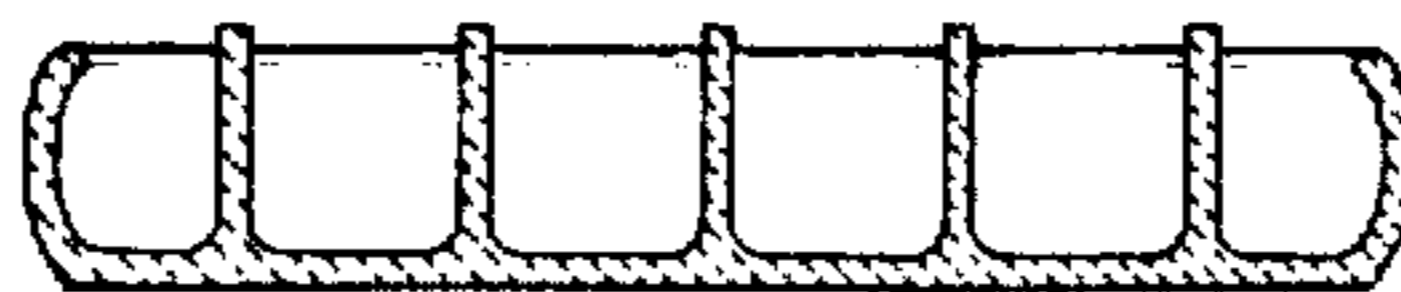
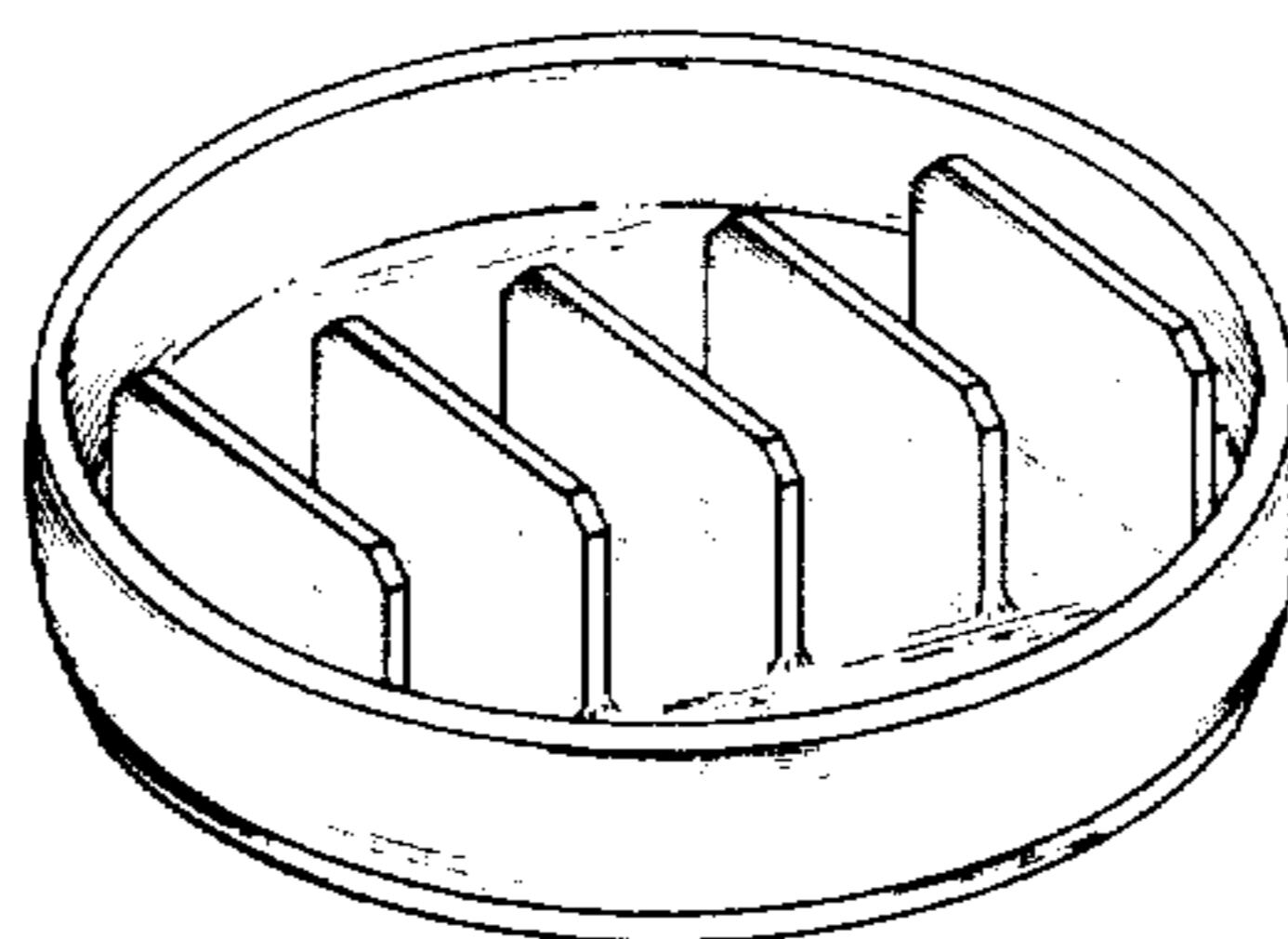
FIG. 5 is a section therethrough taken at line 5-5 in FIG. 2 and viewed in the direction of the arrows.

FIG. 6 is a side view thereof.

FIG. 7 is a bottom plan view thereof.

The rear elevational view is a mirror image of the front elevational view of FIG. 3.

The appearance of the side opposite that shown in FIG. 6 is a mirror image of that shown in FIG. 6.



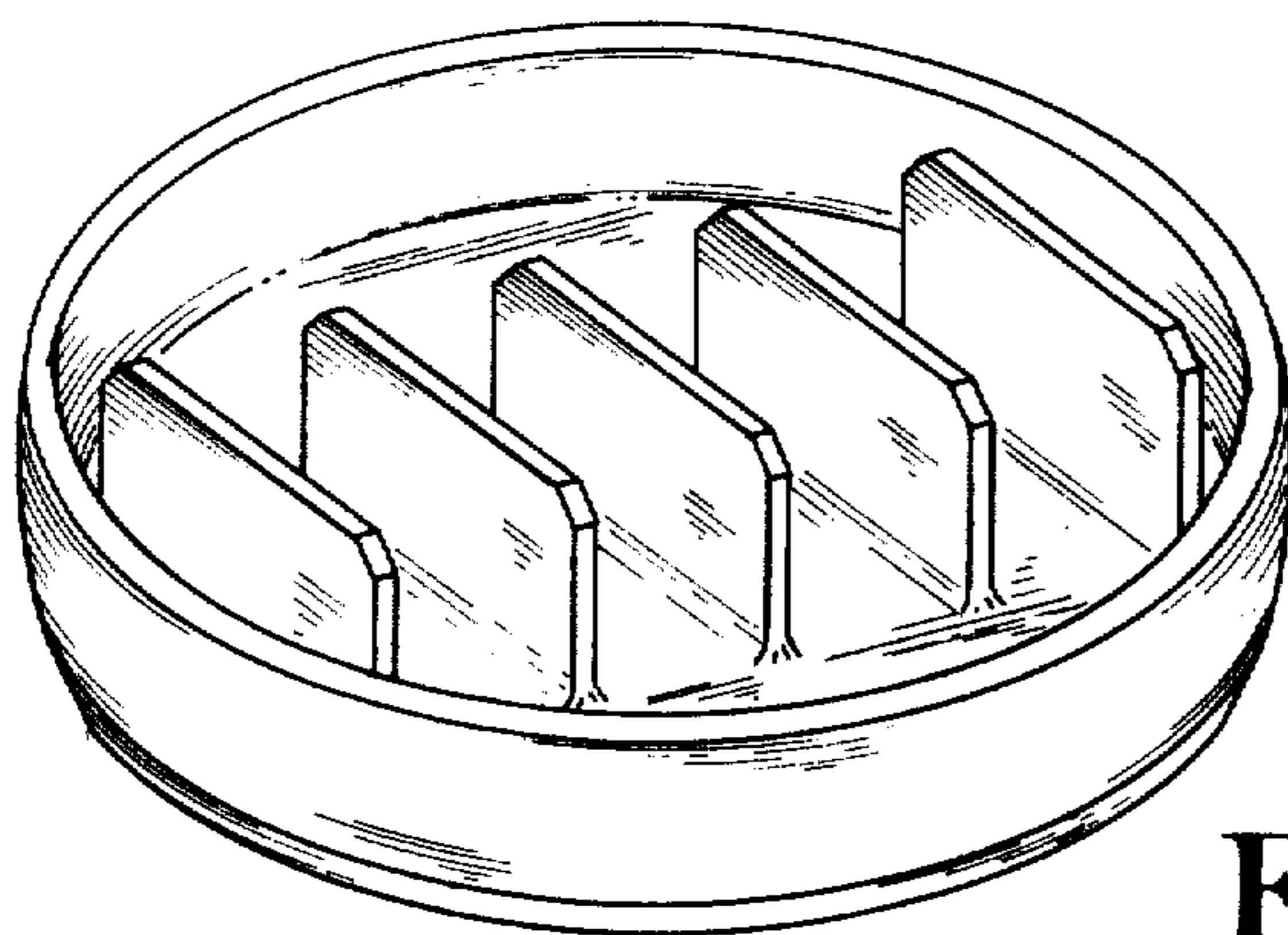


Fig. 1

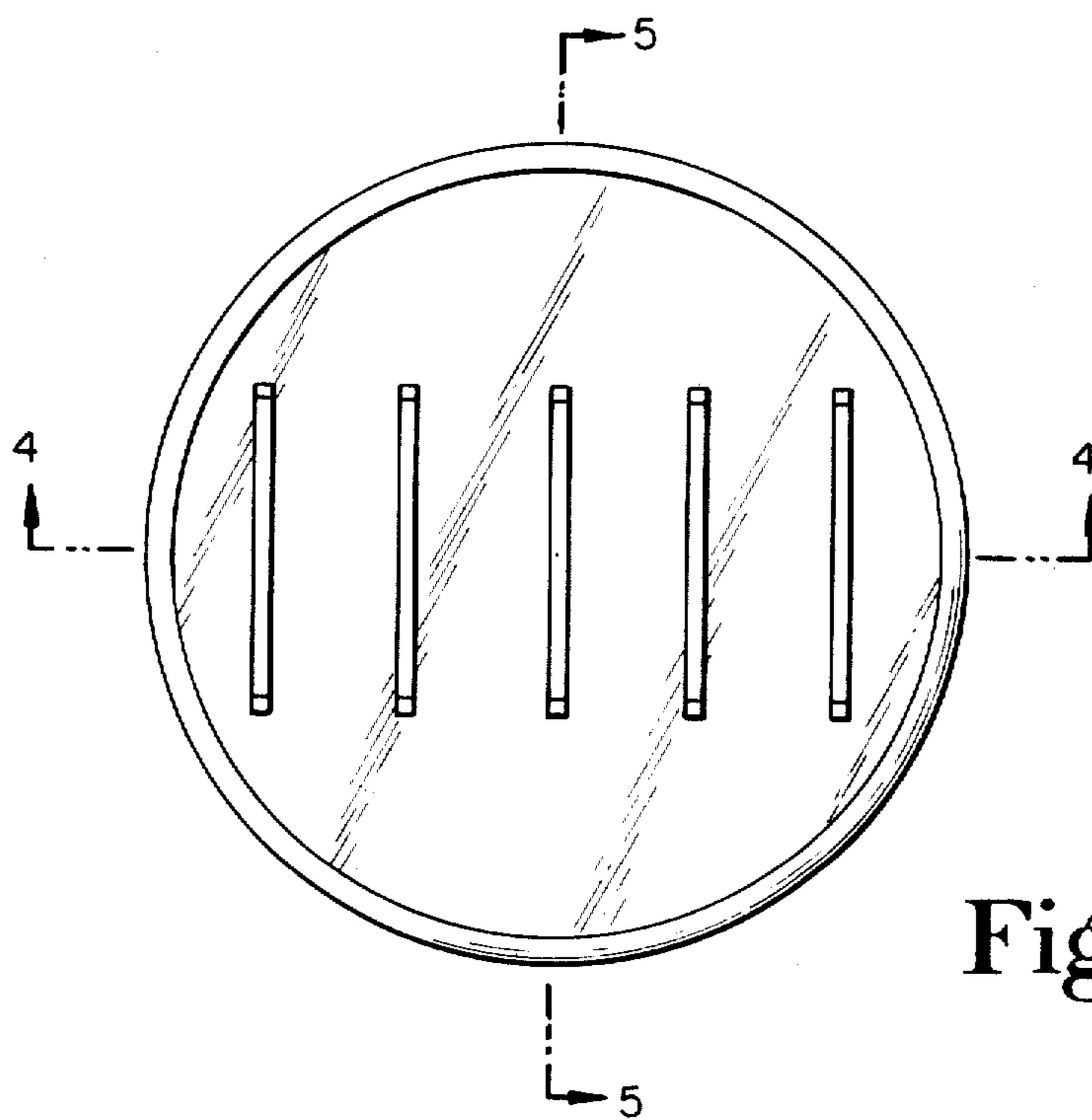


Fig. 2

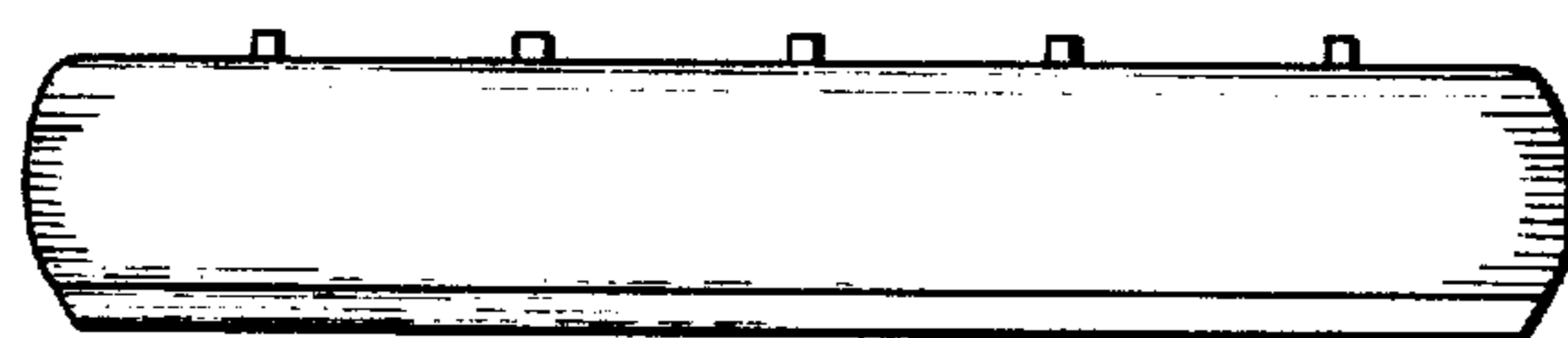


Fig. 3

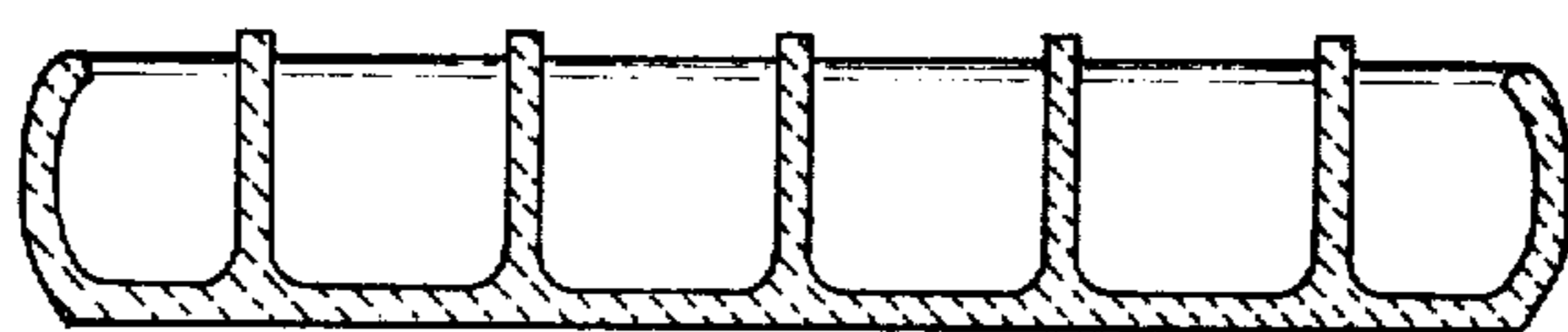


Fig. 4

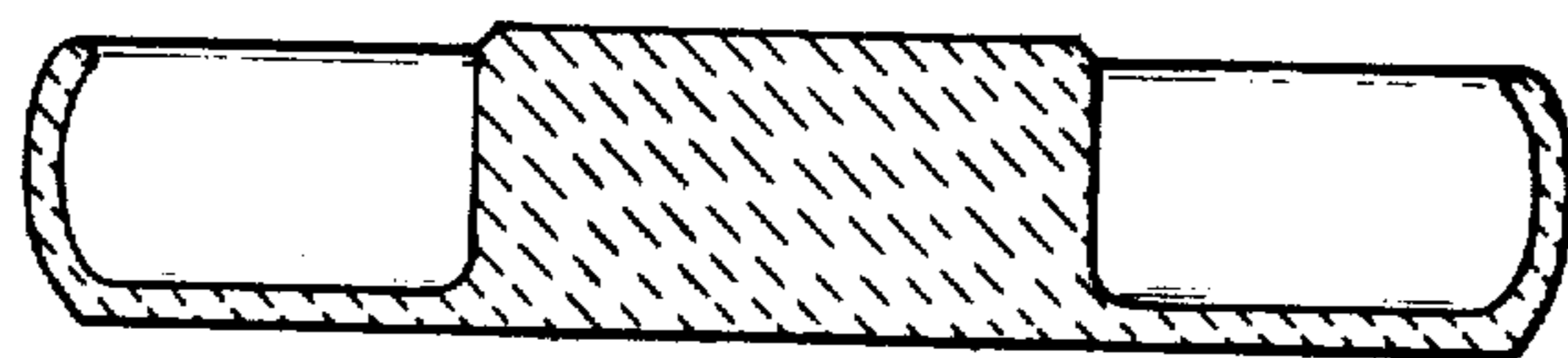


Fig. 5

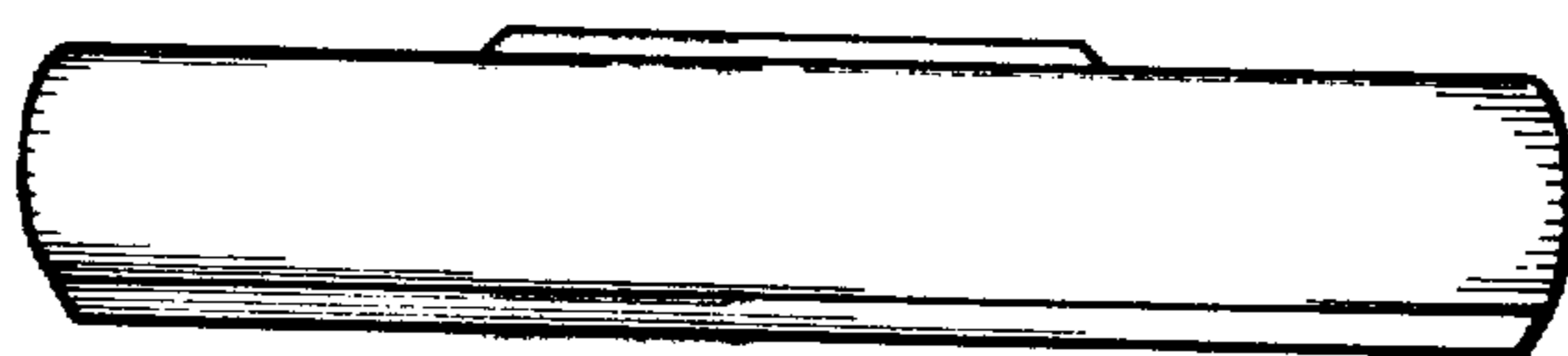


Fig. 6

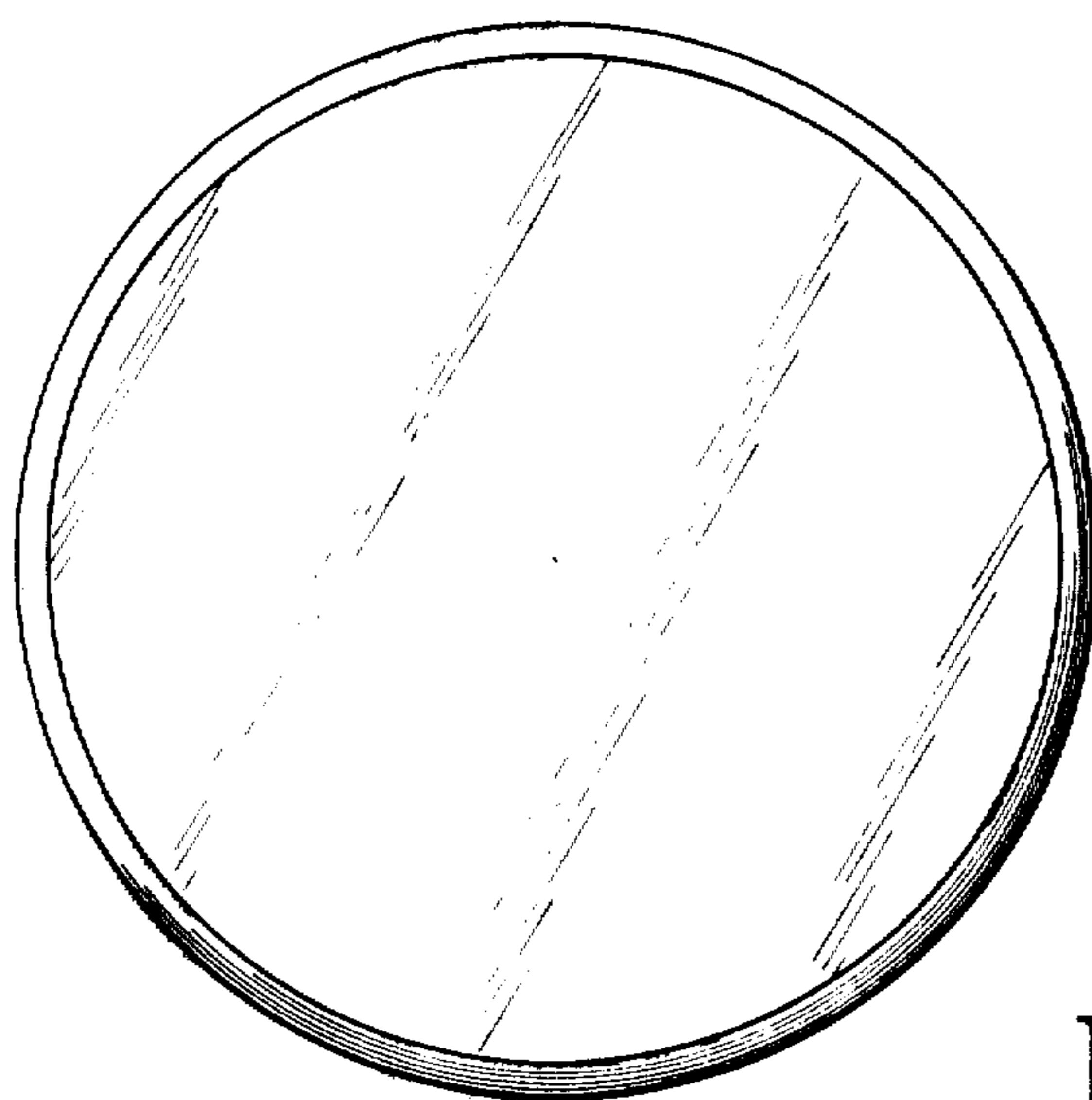


Fig. 7