

[54] MUG

[75] Inventor: Kenichi Myodo, Tsubame, Japan

[73] Assignee: Shinko Kinzoku Kabushiki Kaisha, Japan

[*] Notice: The portion of the term of this patent subsequent to May 25, 1989, has been disclaimed.

[**] Term: 7 Years

[21] Appl. No.: 103,299

[22] Filed: Dec. 13, 1979

[30] Foreign Application Priority Data

Jul. 18, 1979 [JP] Japan 54-030153

[51] Int. Cl. D7-01

[52] U.S. Cl. D7/9; D07/14

[58] Field of Search D7/6-15, D7/3

[56] References Cited

U.S. PATENT DOCUMENTS

D. 163,148 5/1951 Sterrett D7/14 X

D. 241,801 10/1976 Colato D7/14

OTHER PUBLICATIONS

Hall Service China, Cat. #SM-373, p. 3, coffee mug #2442, 2nd up from bottom r.

Tableware International, Mar. 1977, p. 35, item #6006, pewter tankard at top r.

Aquinas Locke Pewter, back page, item #402, "Tudor", top mug.

Primary Examiner—Winifred E. Herrmann

Attorney, Agent, or Firm—Robert E. Burns; Emmanuel J. Lobato; Bruce L. Adams

[57] CLAIM

The ornamental design for a mug, substantially as shown and described.

DESCRIPTION

FIG. 1 is a front elevational view of a mug showing my new design;

FIG. 2 is a top plan view thereof;

FIG. 3 is a left side elevational view thereof;

FIG. 4 is a sectional view taken along the line 4-4 in FIG. 2;

FIG. 5 is a bottom plan view thereof; and

FIG. 6 is a right side elevational view thereof.

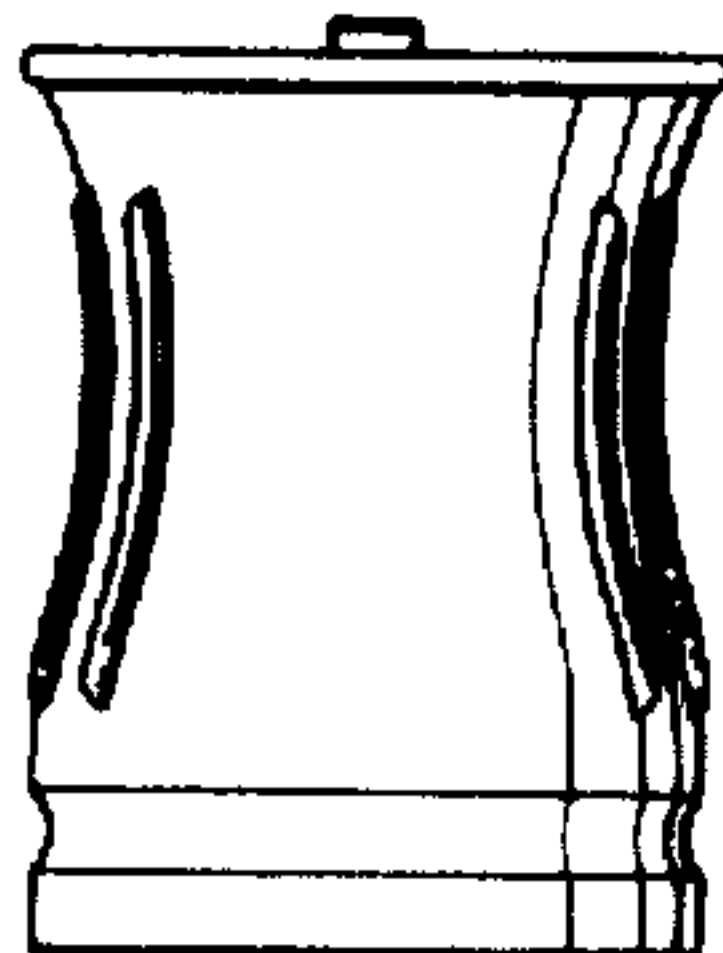
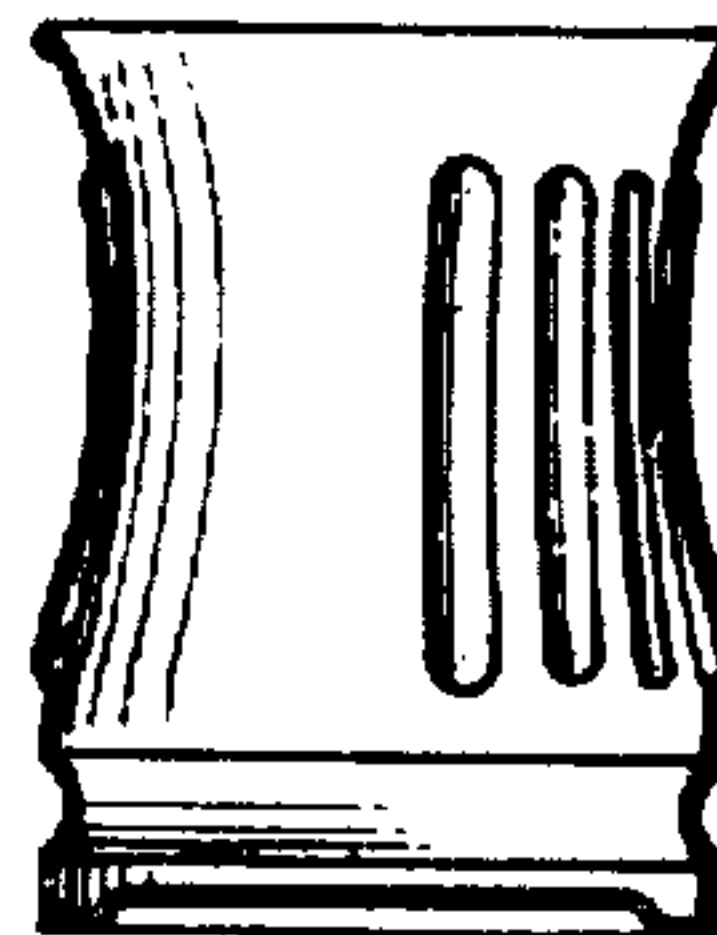
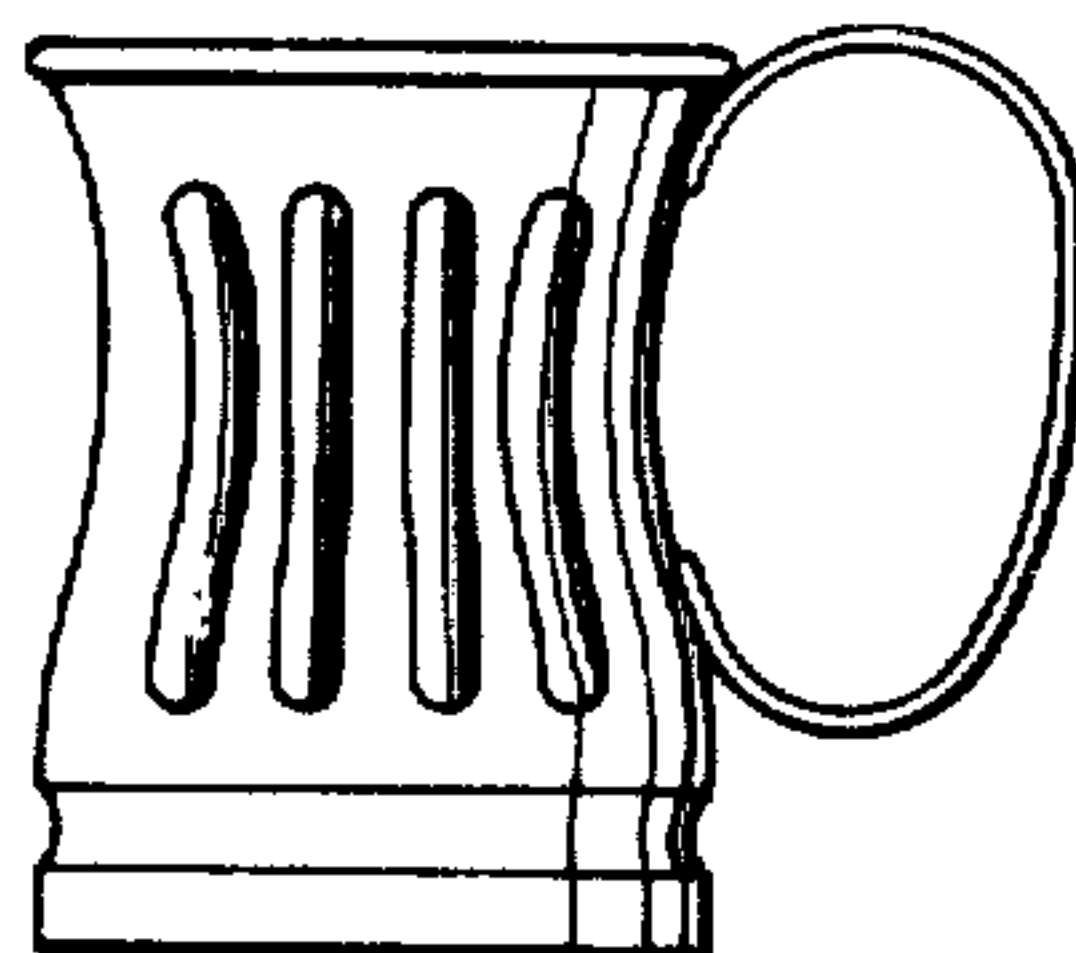


FIG. 1

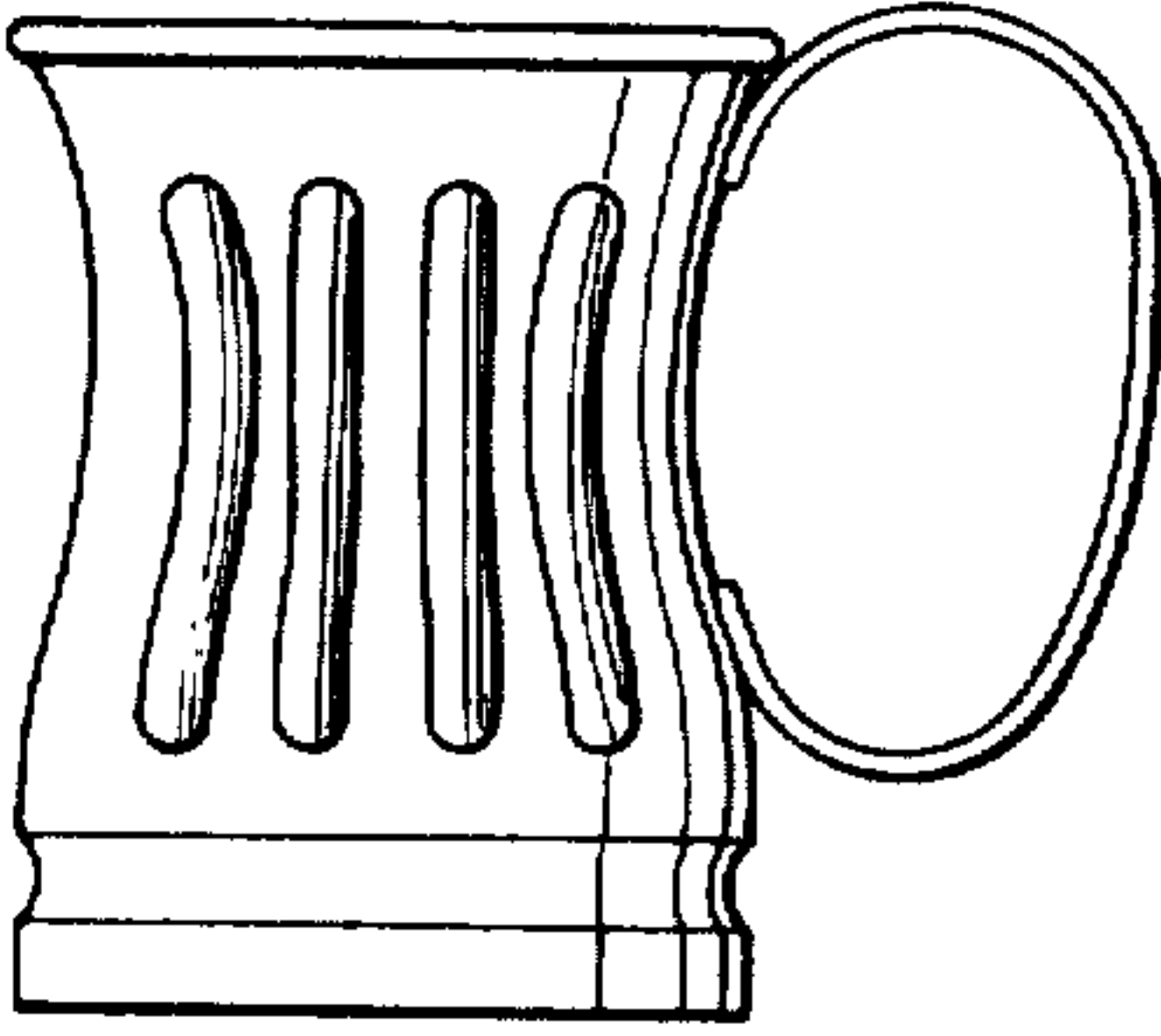


FIG. 4

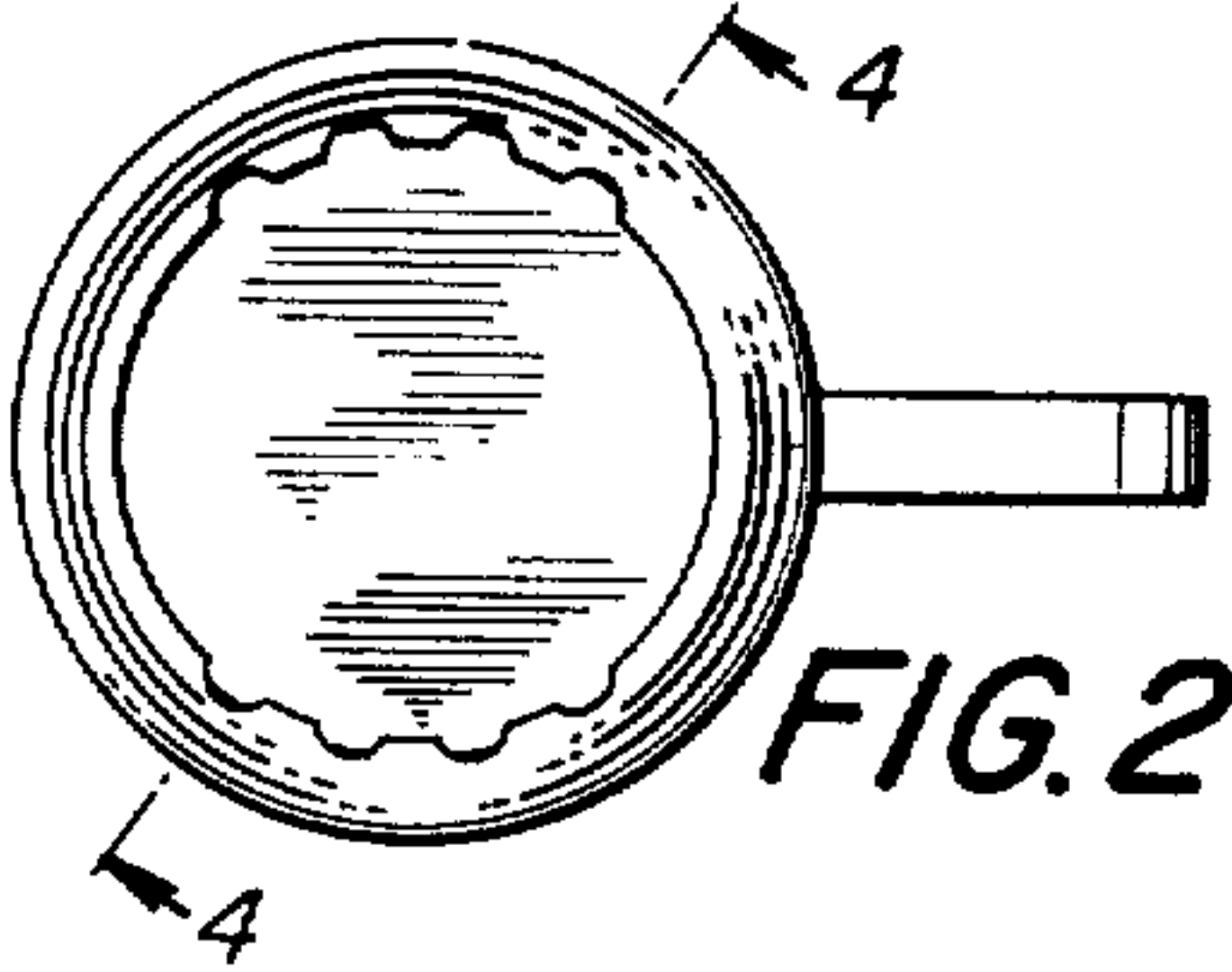
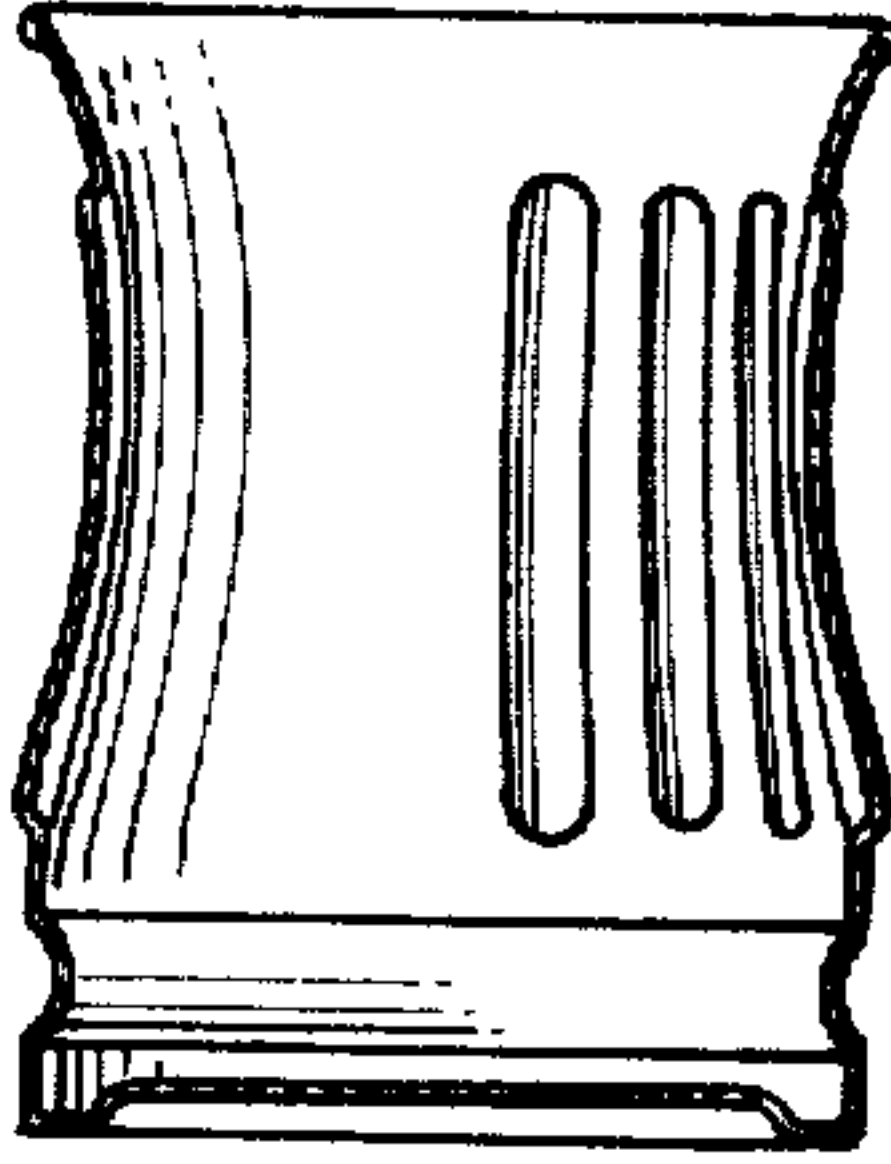


FIG. 5

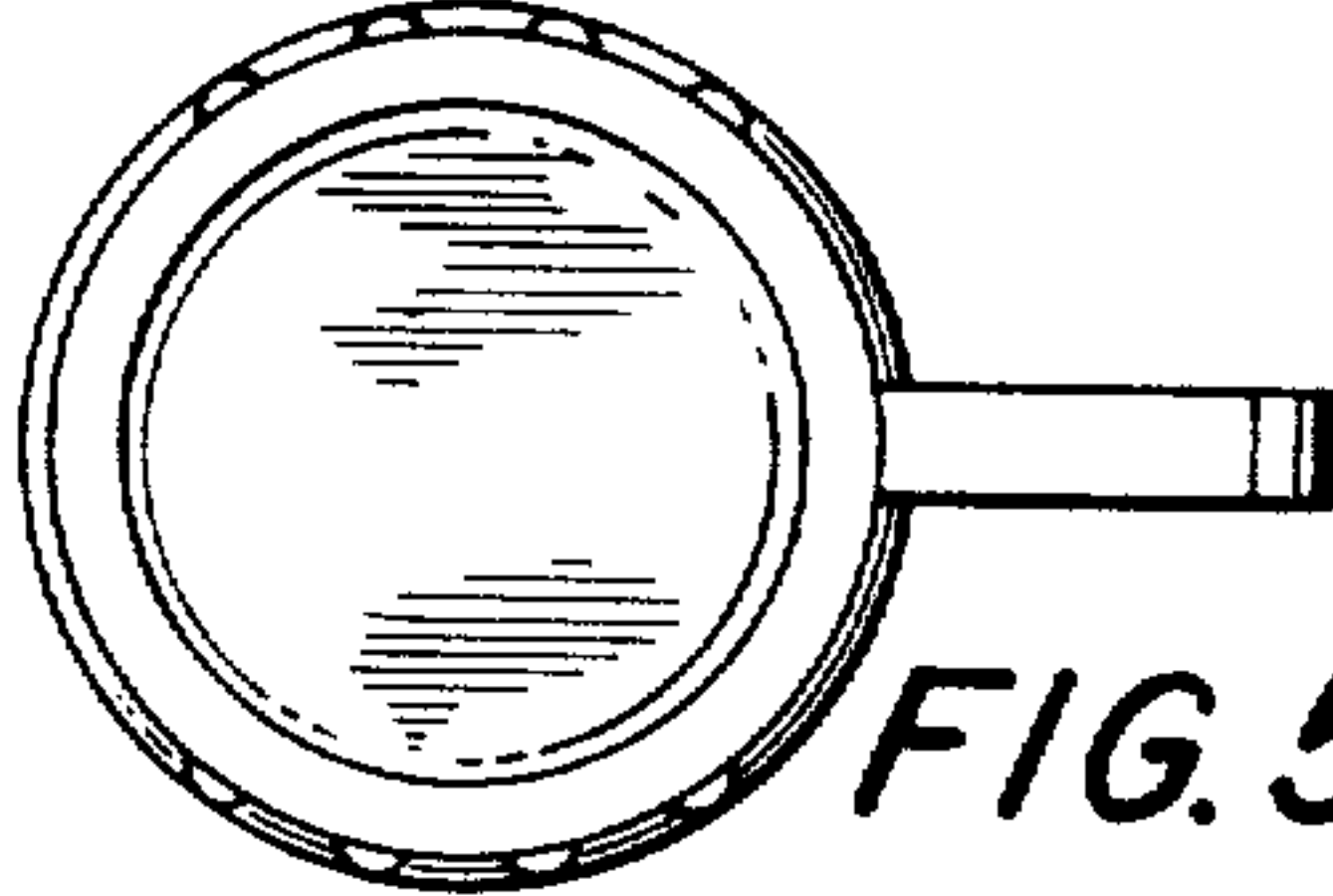


FIG. 3

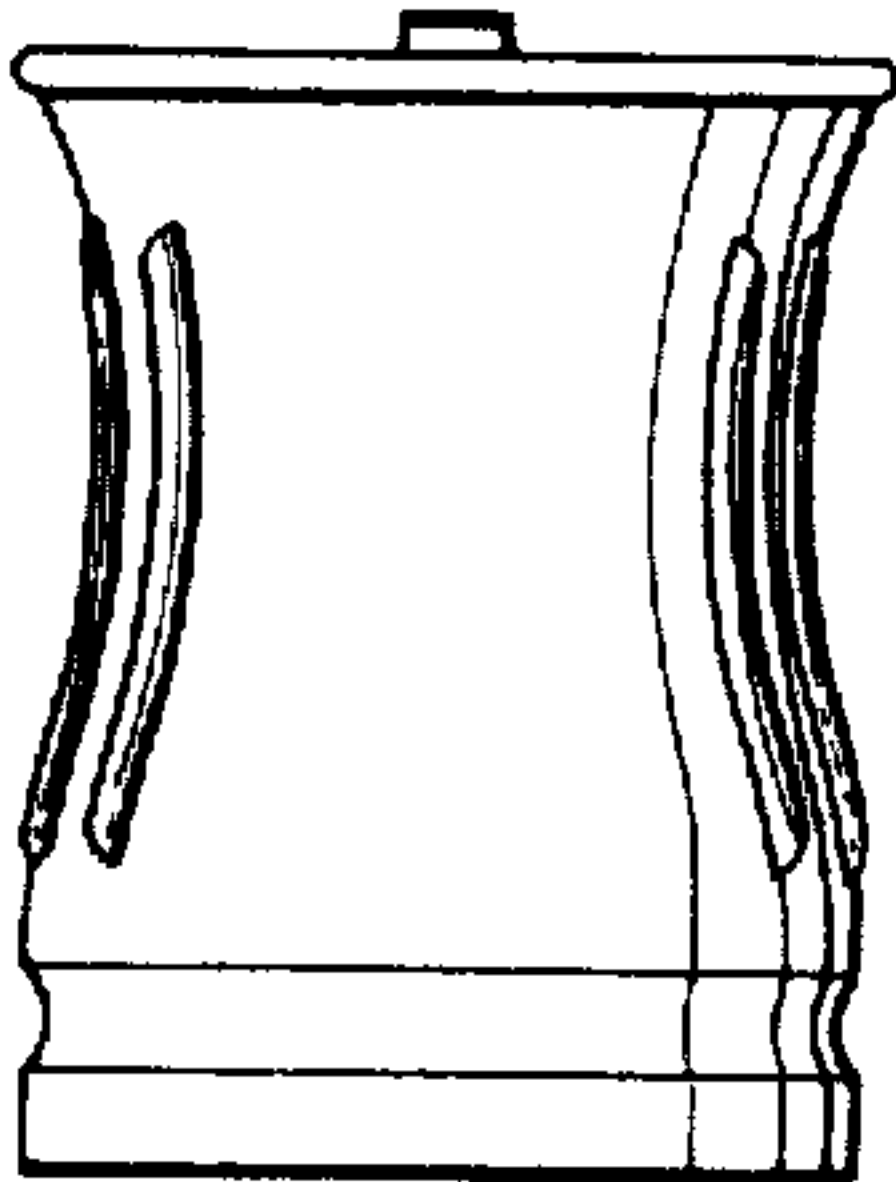


FIG. 6

