

- [54] **COVER FOR A TISSUE BOX**
- [76] Inventor: **William Rodriguez**, 147 Adamsville Rd., Bridgewater, N.J. 08807
- [\*\*] Term: **14 Years**
- [21] Appl. No.: **174,715**
- [22] Filed: **Aug. 1, 1980**
- [51] Int. Cl. .... **D23—02; D30—02**
- [52] U.S. Cl. .... **D6/98; D6/153; D30/3**
- [58] **Field of Search** ..... **D6/86, 96—98, D6/151, 153; D30/3; 242/55.2, 55.3, 55.53, 55.54, 55.55, 55.42; 206/457, 494; 119/23**
- [56] **References Cited**
- U.S. PATENT DOCUMENTS**
- |            |         |             |       |       |
|------------|---------|-------------|-------|-------|
| D. 140,175 | 1/1945  | Hyde        | ..... | D30/3 |
| D. 214,463 | 6/1969  | Warnberg    | ..... | D6/98 |
| D. 215,855 | 11/1969 | Henreid     | ..... | D30/3 |
| D. 248,198 | 6/1978  | Gordon, Sr. | ..... | D30/3 |

D. 254,898 6/1980 Buerk ..... D6/98

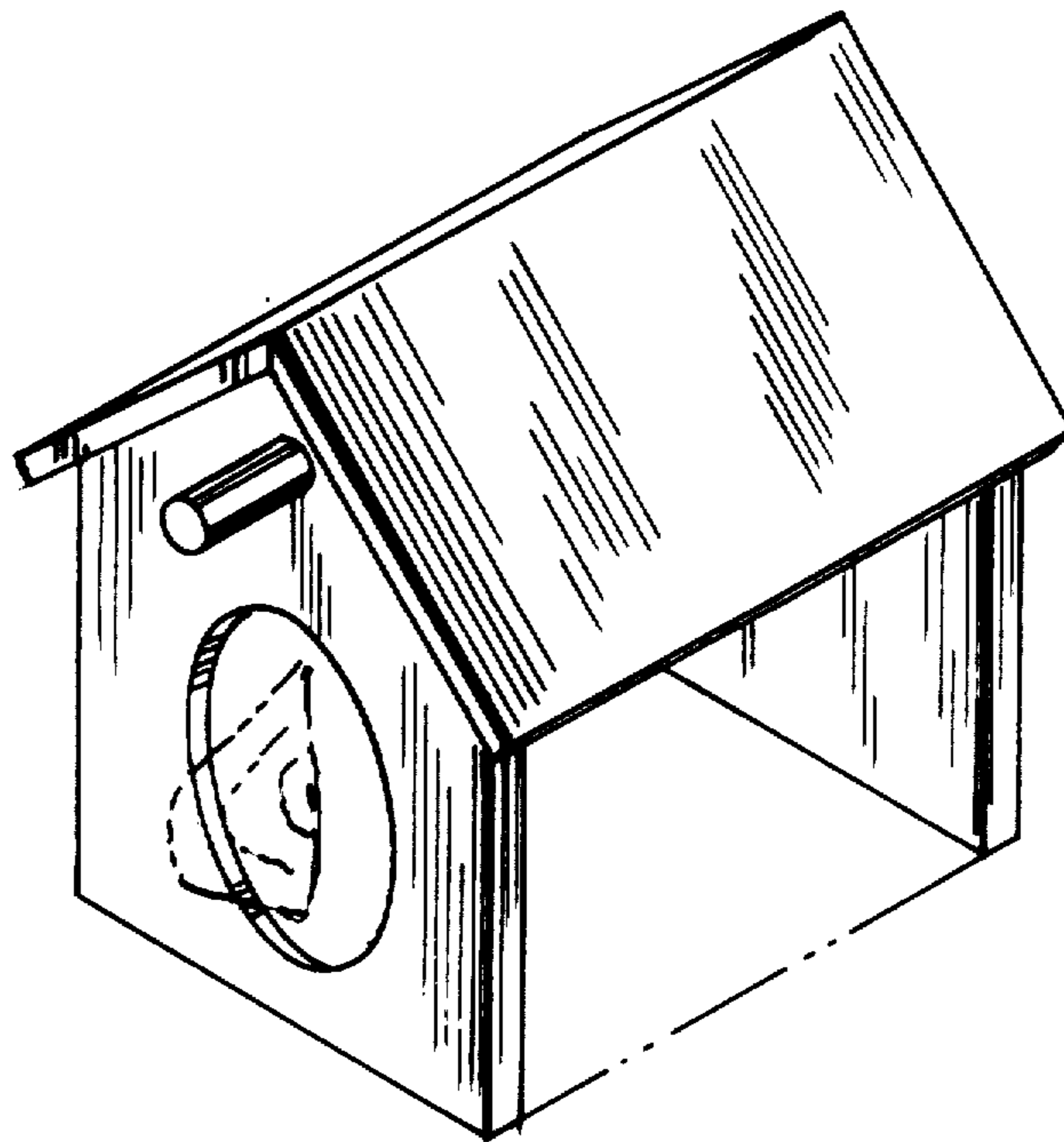
*Primary Examiner*—B. J. Bullock  
*Attorney, Agent, or Firm*—Stephan Siegel

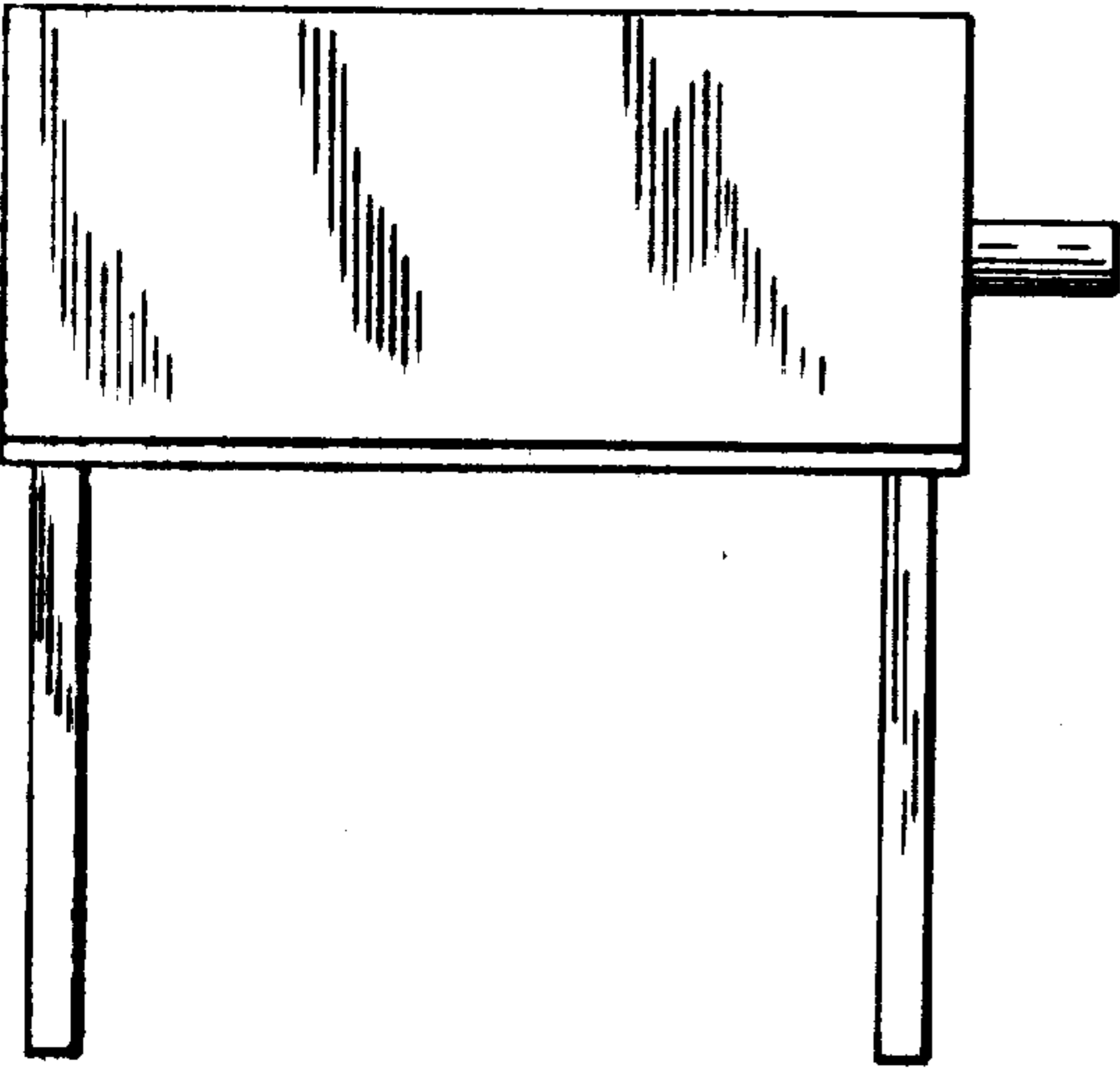
[57] **CLAIM**

The ornamental design for a cover for a tissue box, as shown and described.

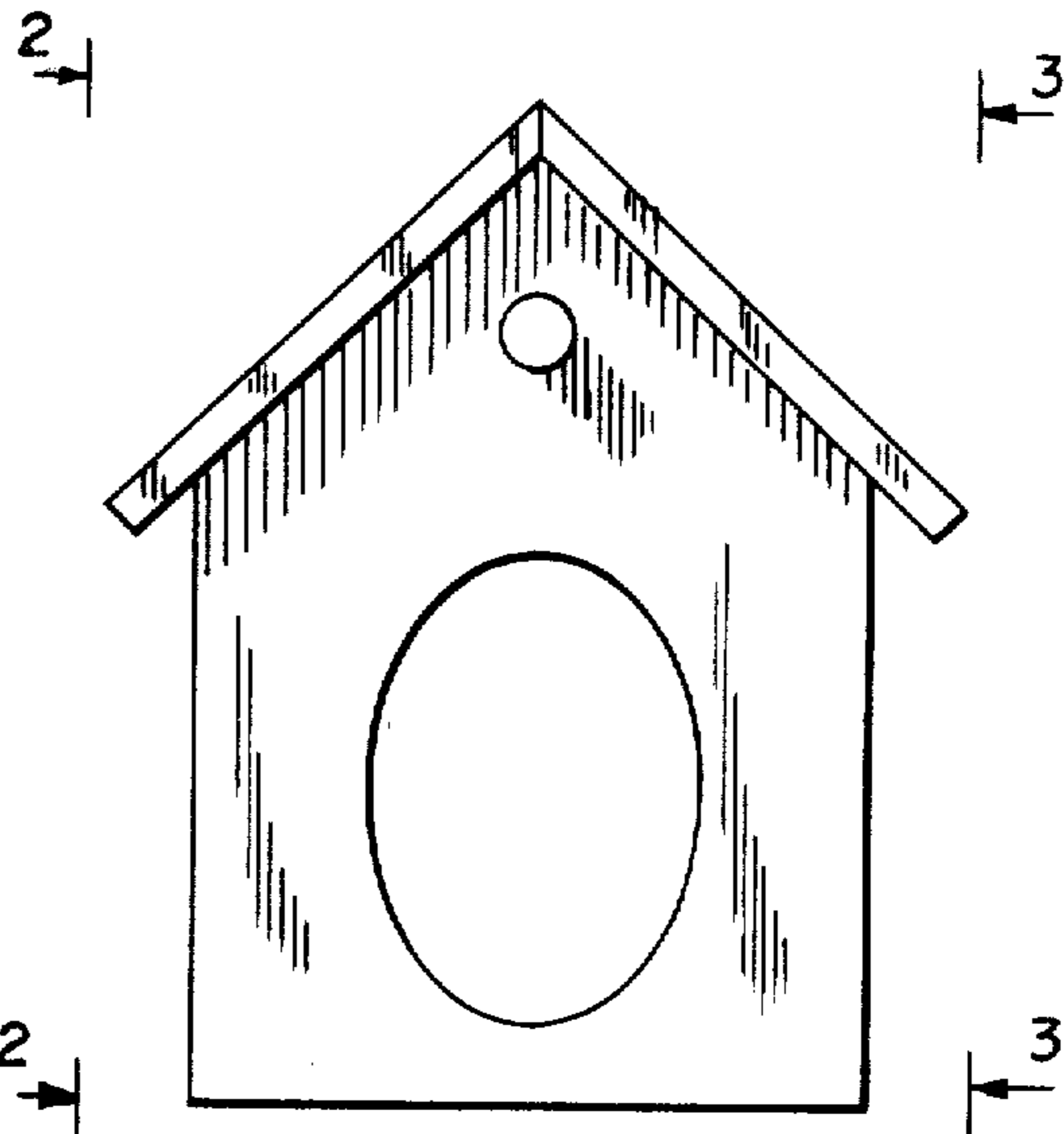
**DESCRIPTION**

FIG. 1 is a front elevational view of the cover for a tissue box showing my new design;  
FIG. 2 is a side elevational view taken in the direction of the arrows on line 2—2 of FIG. 1;  
FIG. 3 is a side elevational view taken in the direction of the arrows on line 3—3 of FIG. 1;  
FIG. 4 is a bottom plan view taken in the direction of the arrows on line 4—4 of FIG. 3;  
FIG. 5 is a rear elevational view taken in the direction of the arrows on line 5—5 of FIG. 3;  
FIG. 6 is an isometric view thereof, the side of a tissue box and a tissue being shown in broken lines for illustrative purposes only.

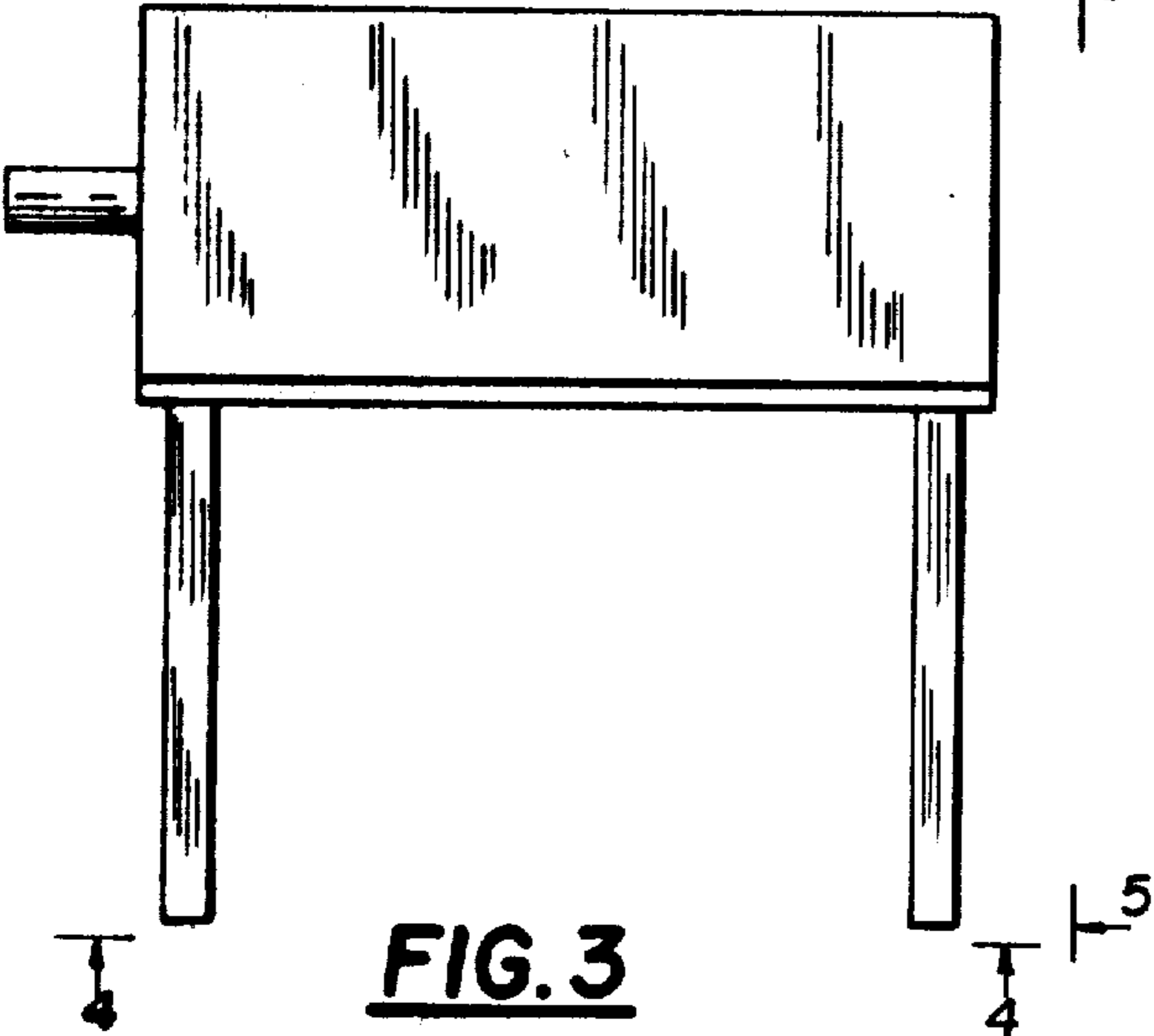




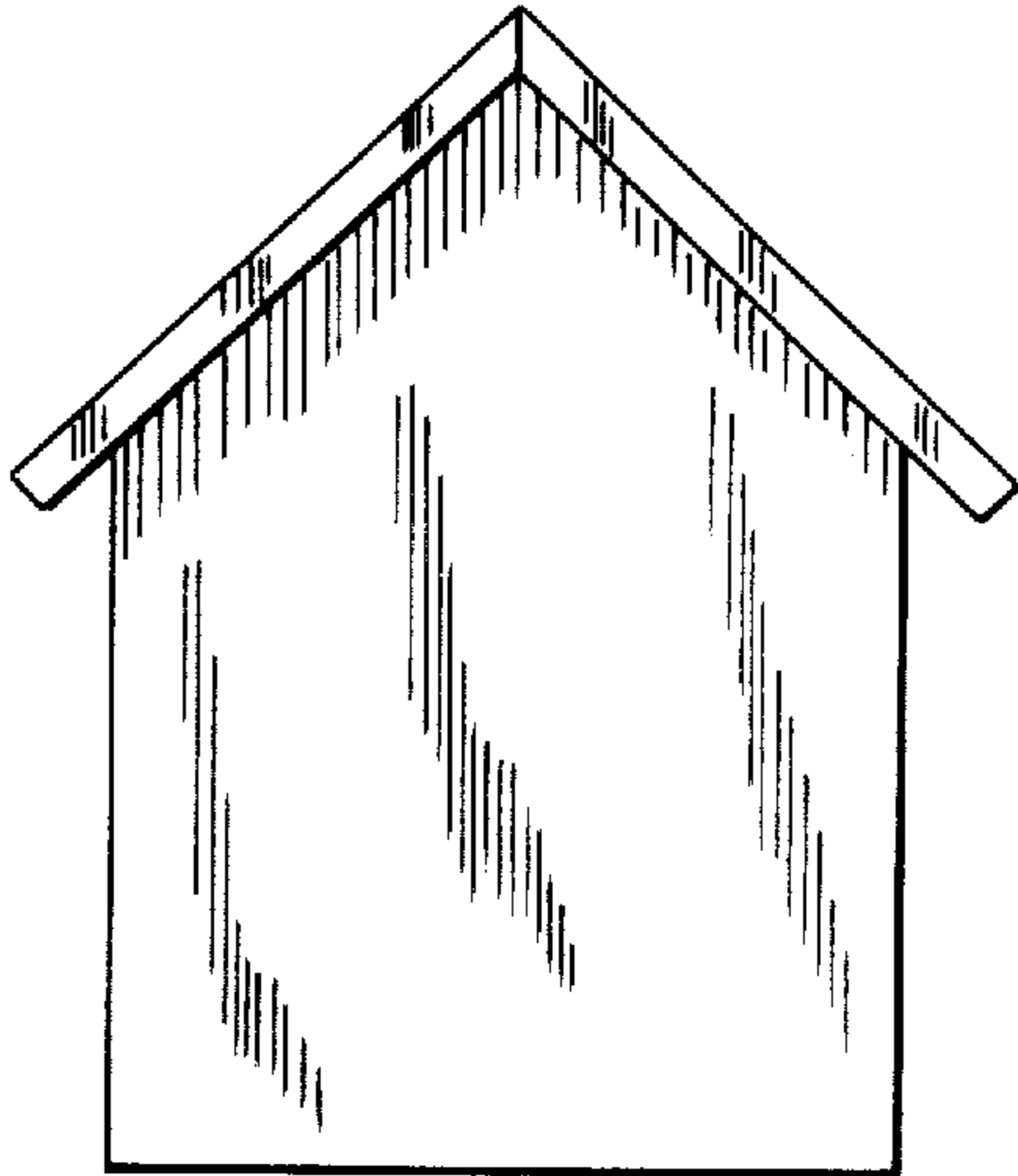
**FIG. 2**



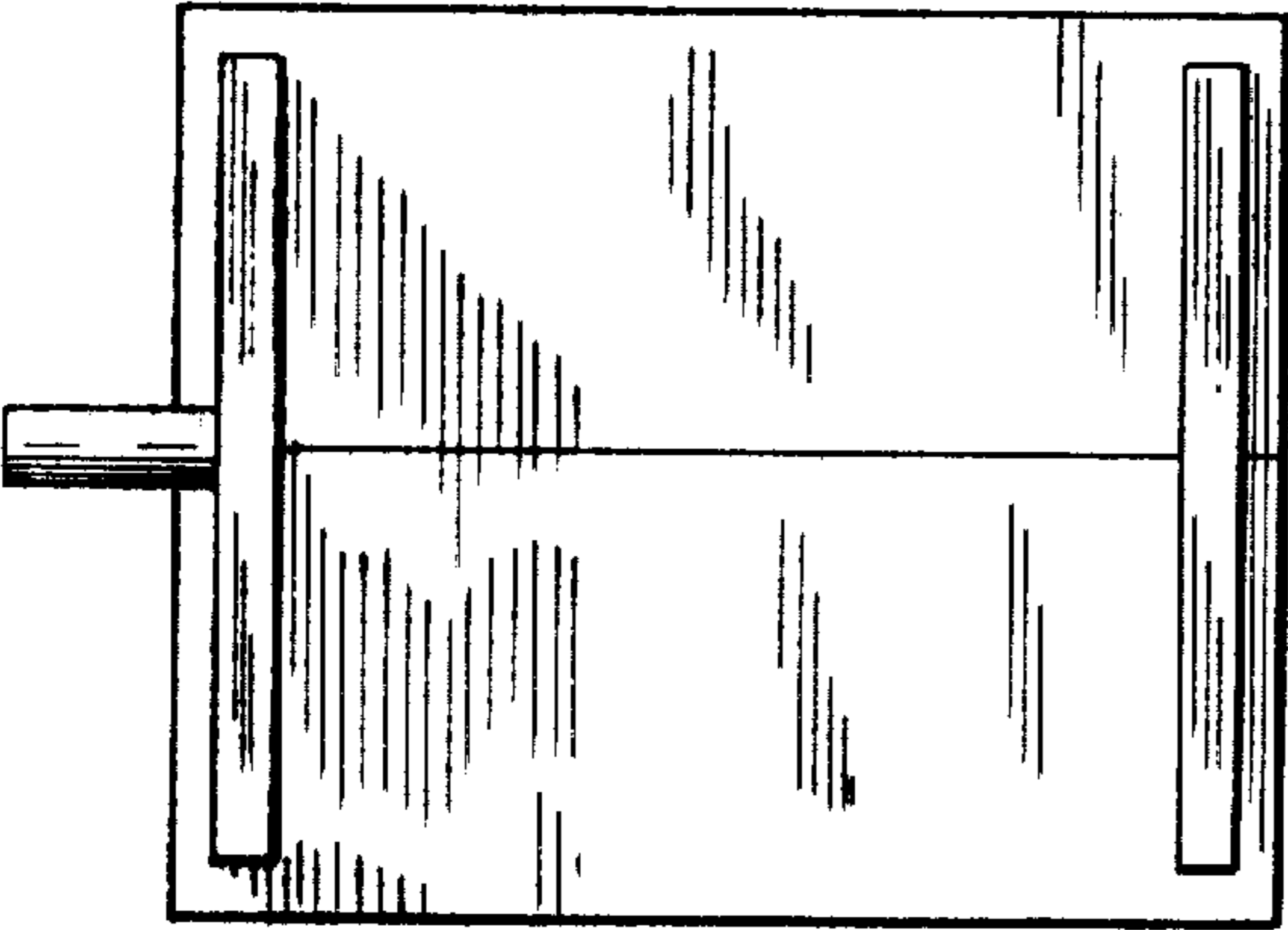
**FIG. 1**



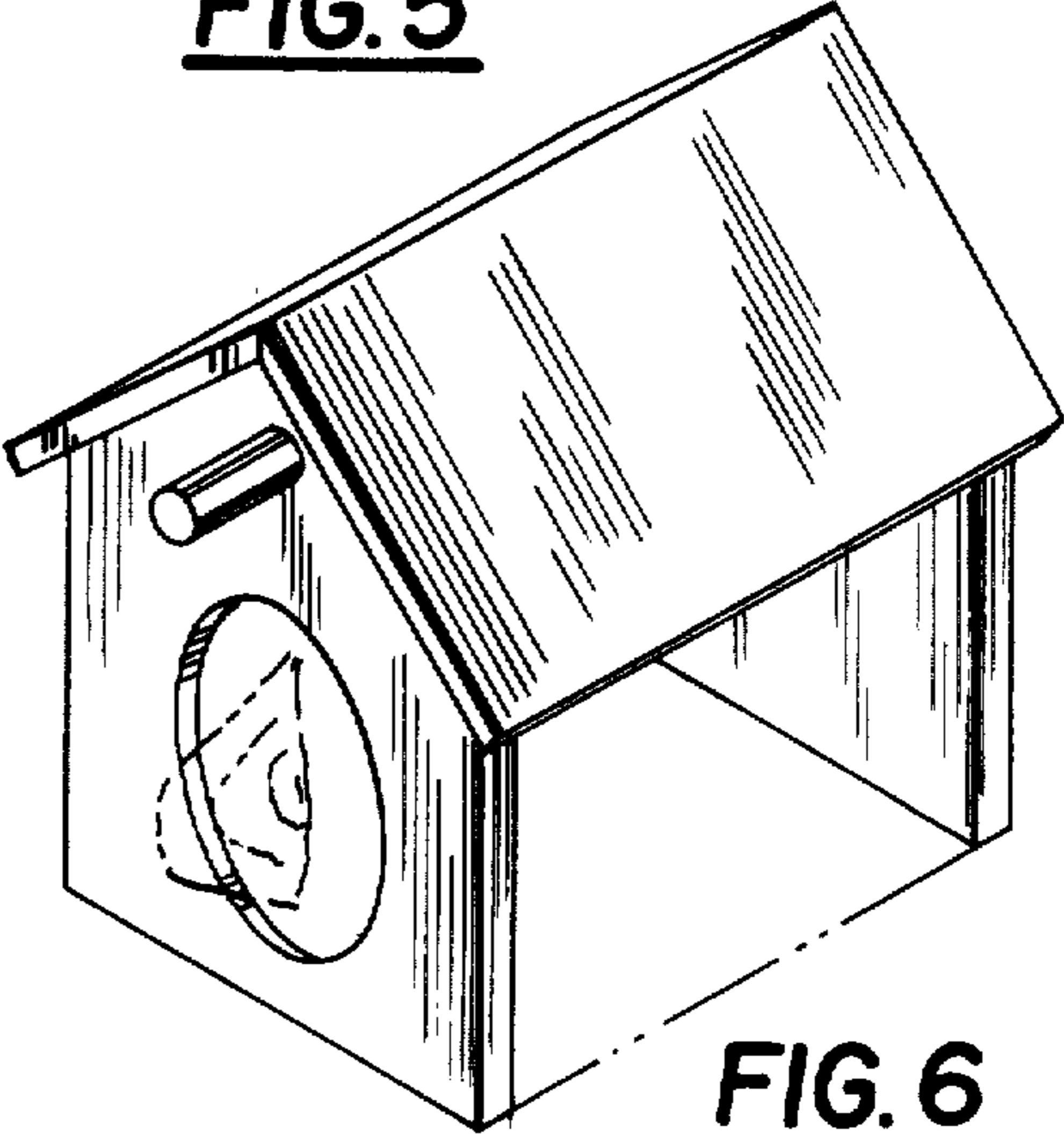
**FIG. 3**



**FIG. 5**



**FIG. 4**



**FIG. 6**