

United States Patent [19]

Thompson

[11] **Des. 266,808**

[45] **** Nov. 9, 1982**

[54] **SHOWER SHELF**

[75] Inventor: **Bruce R. Thompson**, Trarmer,
Australia

[73] Assignee: **UPL Group Limited**, Brisbane,
Australia

[**] Term: **14 Years**

[21] Appl. No.: **121,236**

[22] Filed: **Feb. 13, 1980**

[51] Int. Cl. **D23—02; D6—04**

[52] U.S. Cl. **D6/91; D6/86;**
D6/99; D6/132

[58] Field of Search **D6/86, 89, 90, 91, 99,**
D6/130-136; 211/16, 90, 126, 134; 108/29, 31,
42, 152

[56] **References Cited**

U.S. PATENT DOCUMENTS

D. 154,476 7/1949 Heym D6/91

D. 248,702 8/1978 Baldini D6/132
D. 253,503 11/1979 Albert D6/91
1,090,724 3/1914 Koehler 108/29

Primary Examiner—B. J. Bullock
Attorney, Agent, or Firm—McDougall, Hersh & Scott

[57] **CLAIM**

The ornamental design for a shower shelf, as shown.

DESCRIPTION

FIG. 1 is a perspective view of a shower shelf showing my new design;
FIG. 2 is a top view thereof;
FIG. 3 is a bottom view thereof;
FIG. 4 is a front view thereof;
FIG. 5 is a rear view thereof;
FIG. 6 is a sectional view taken in the direction of the arrows on line VI—VI of FIG. 2;
FIG. 7 is a side view taken from the left of FIG. 1, the side opposite being a mirror image thereof; and
FIG. 8 is a fragmentary sectional view taken in the direction of the arrows on line VIII—VIII of FIG. 2.

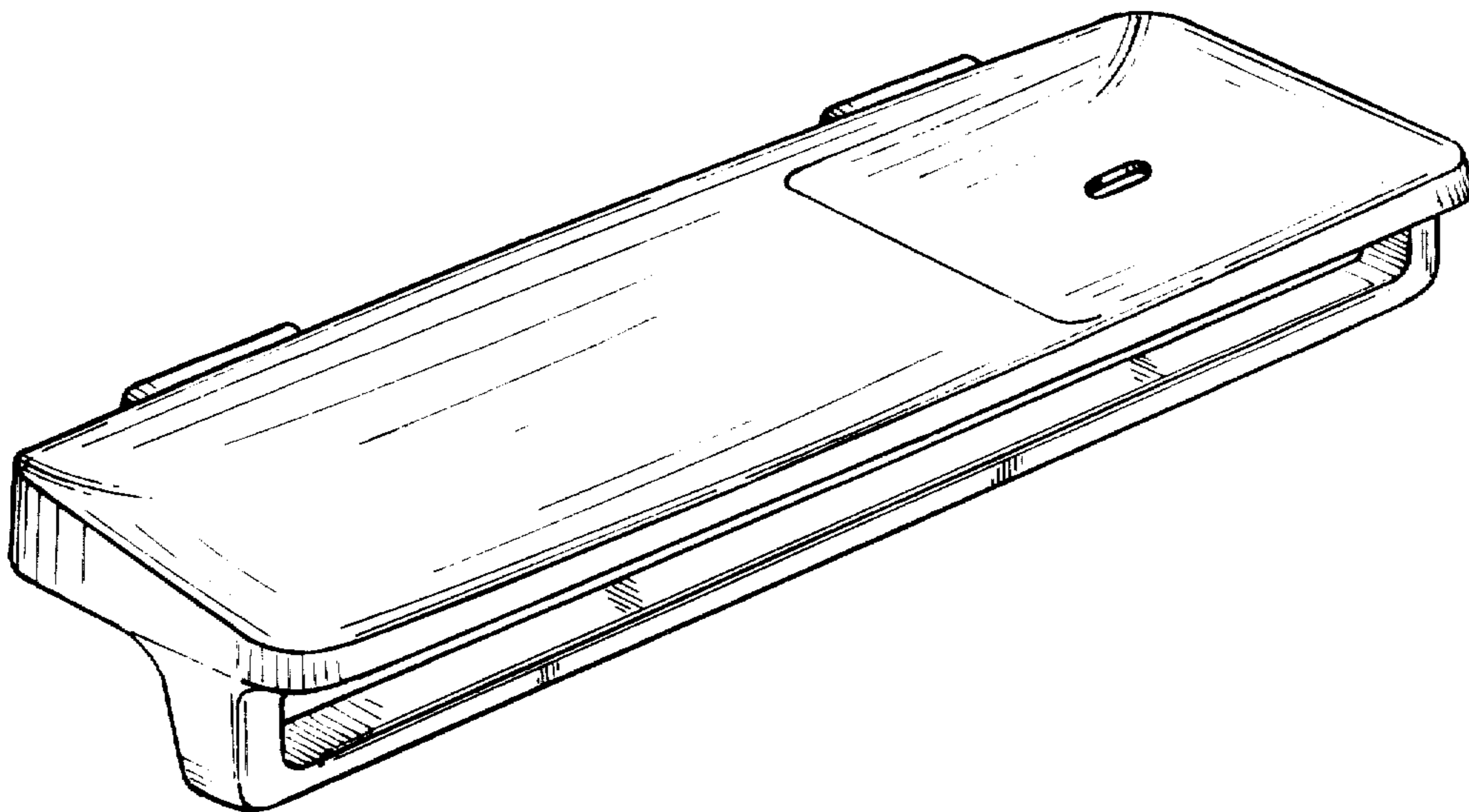


FIG. 1

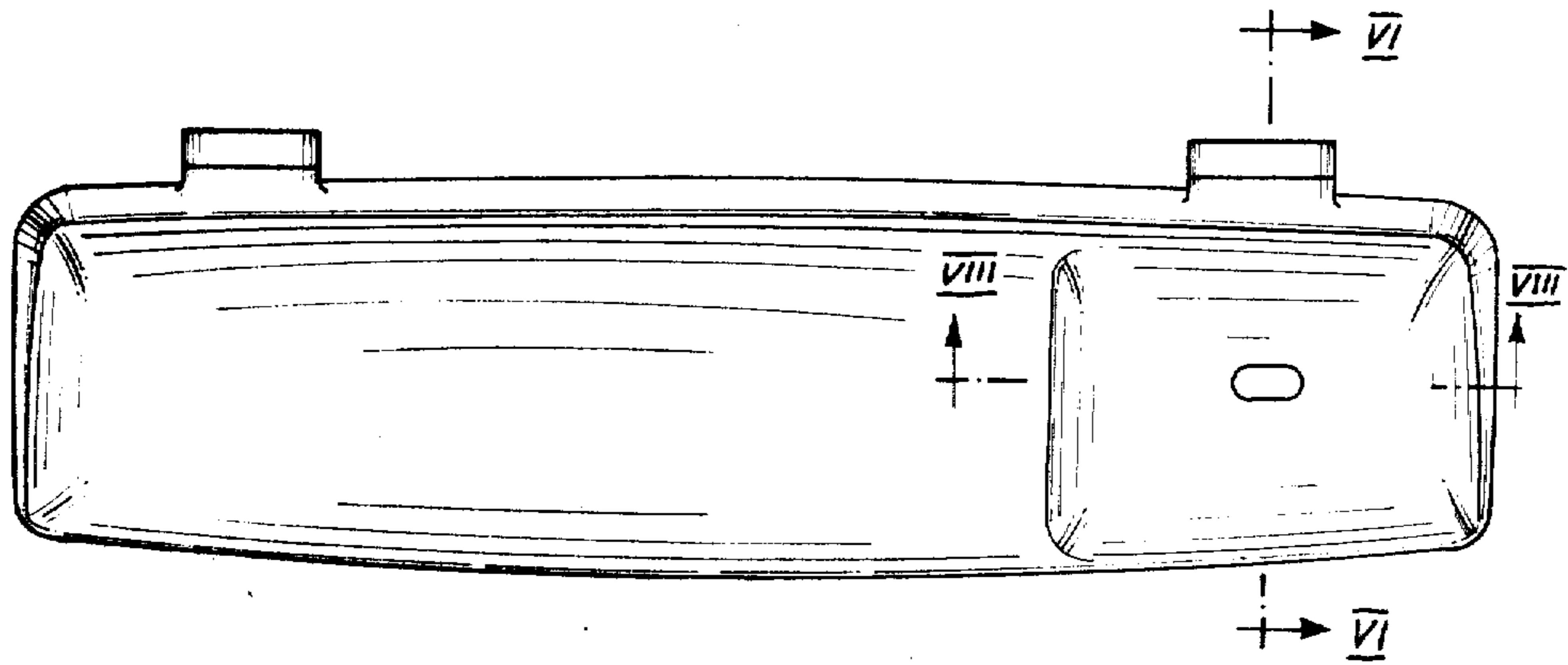
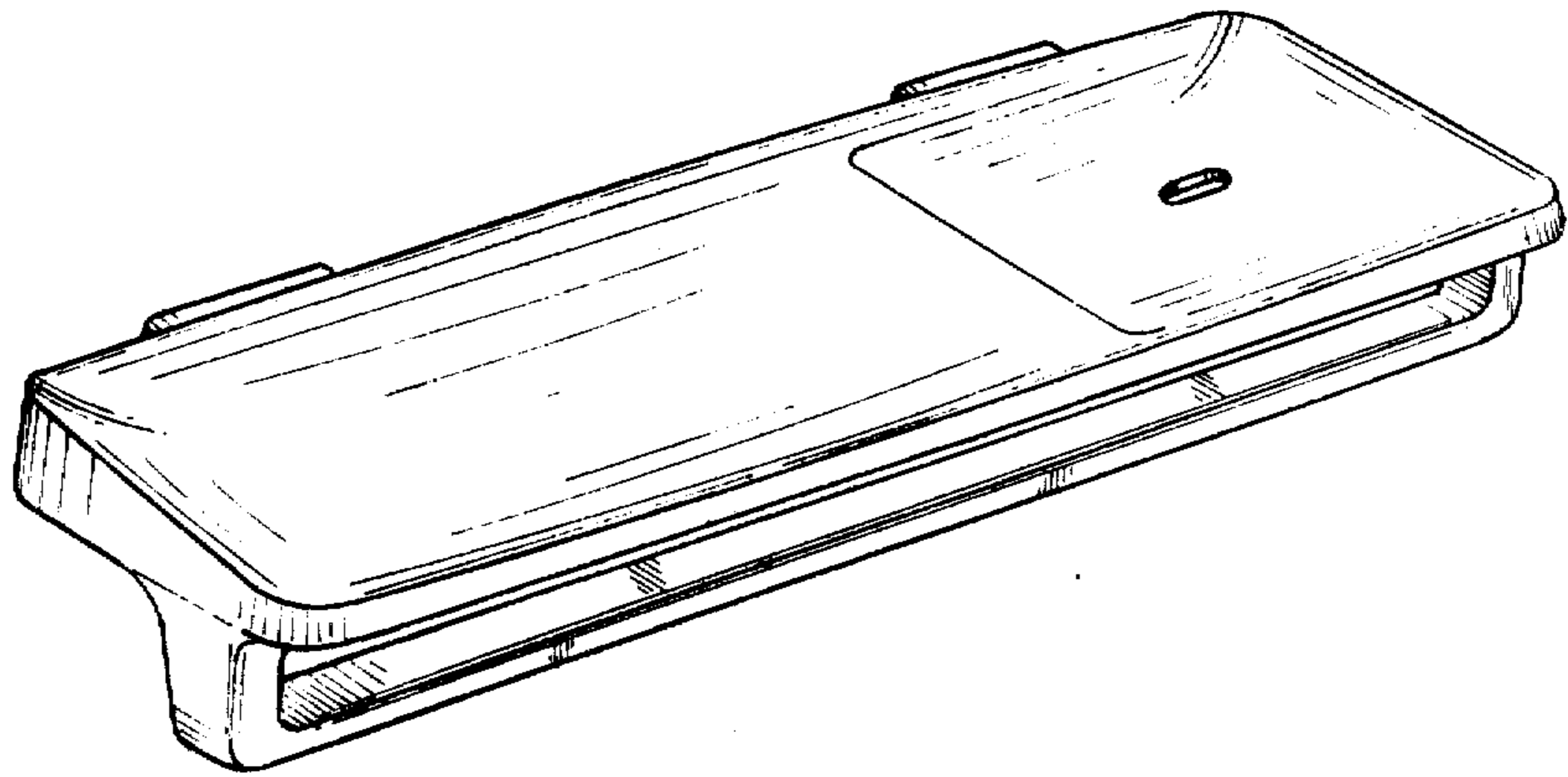


FIG. 2

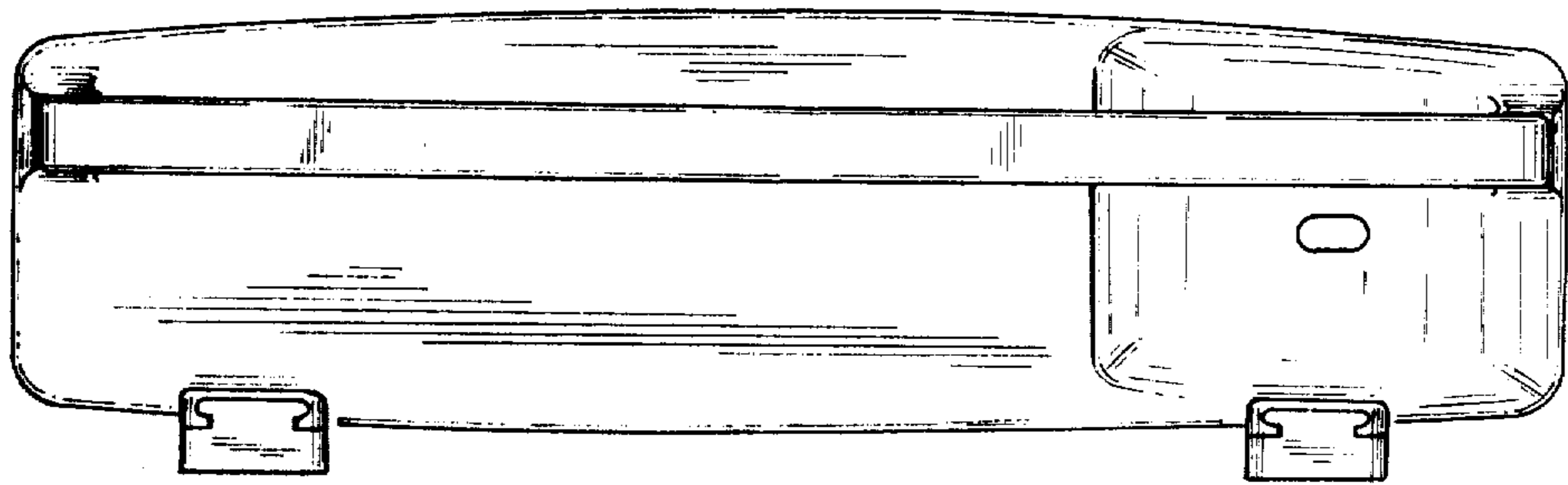


FIG. 3

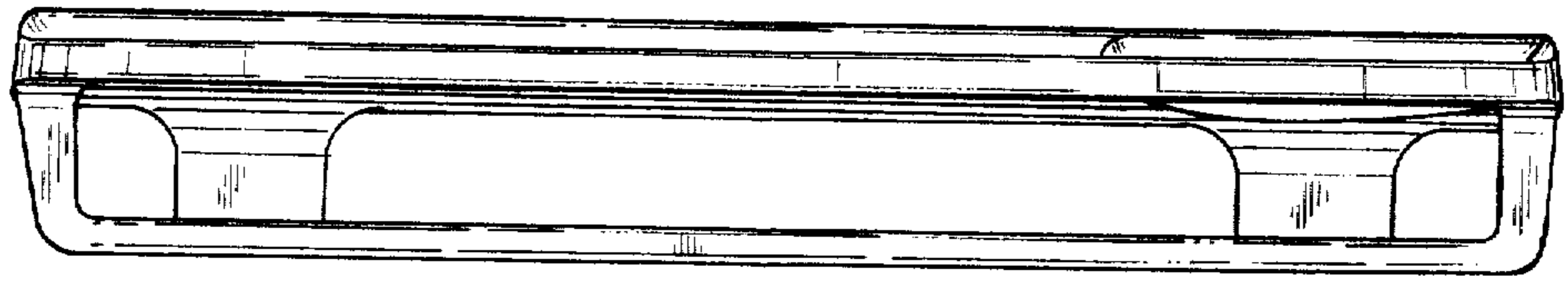


FIG. 4

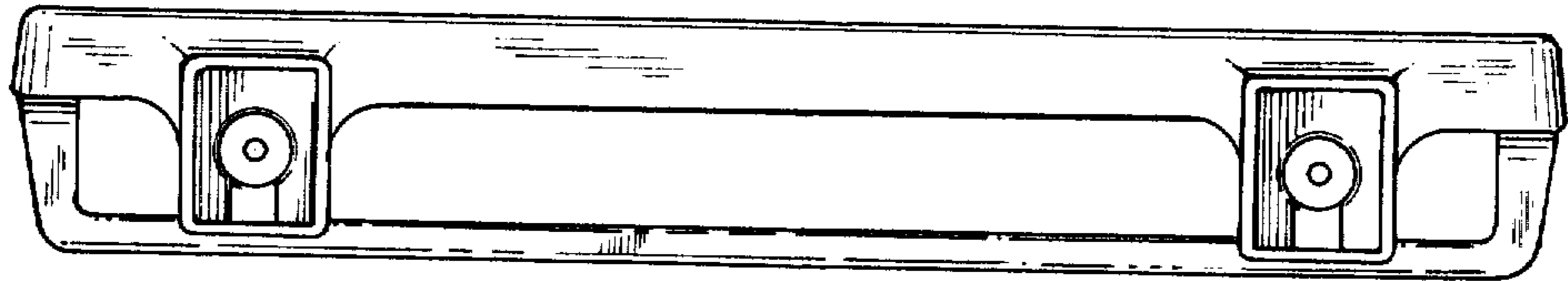


FIG. 5

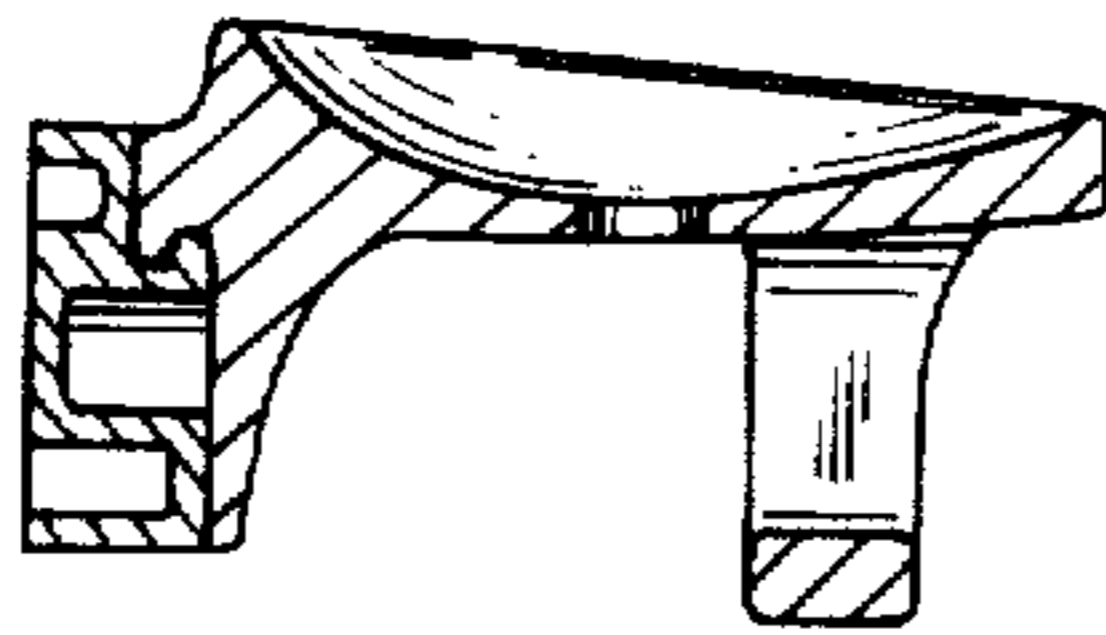


FIG. 6

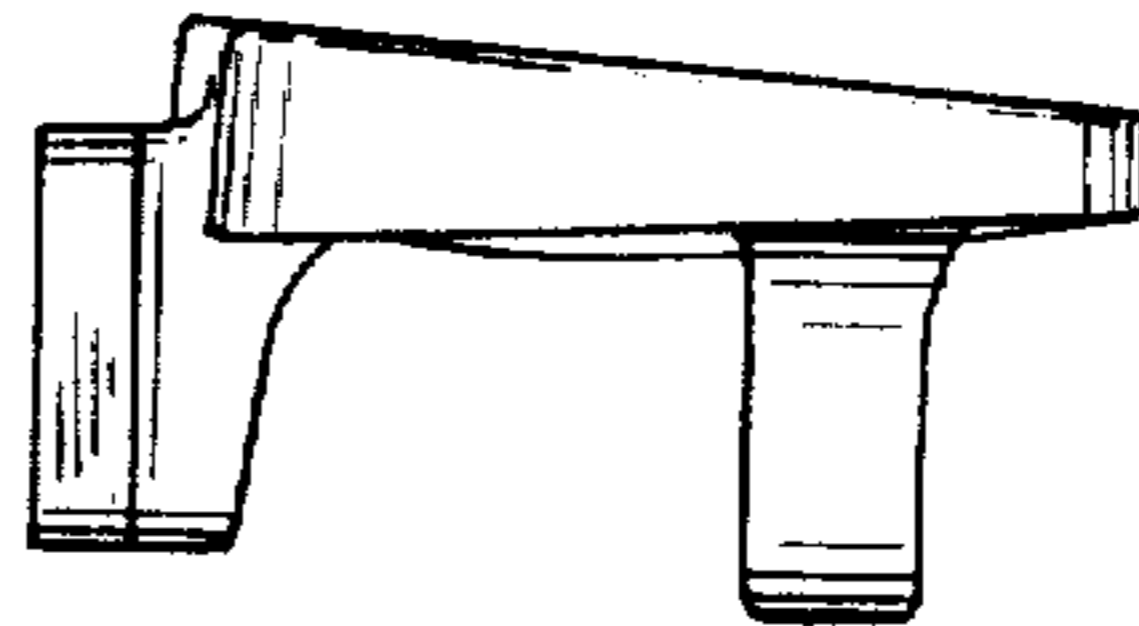


FIG. 7

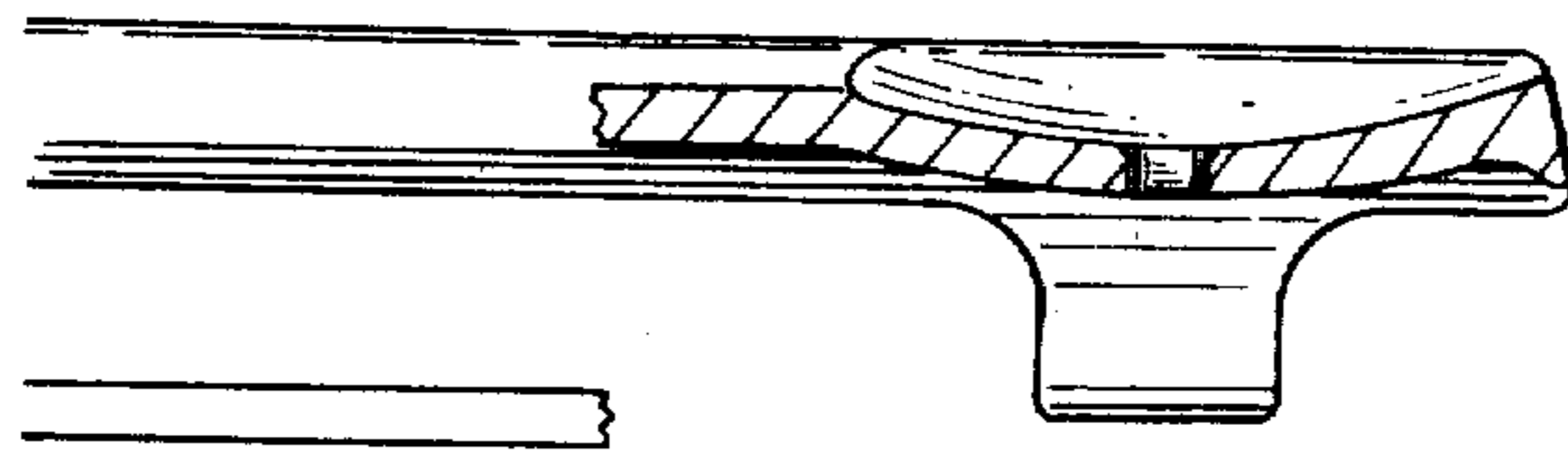


FIG. 8