

[54] SKEIN HOLDER OR THE LIKE

[76] Inventor: **Herbert F. Mace**, 1608 Phillips Dr.,
Sanford, N.C. 27330

[**] Term: **14 Years**

[21] Appl. No.: **178,724**

[22] Filed: **Aug. 18, 1980**

[51] Int. Cl. **D3-99**

[52] U.S. Cl. **D3/23**

[58] Field of Search 223/106-109;
D3/18, 20-26; 206/388; D6/178; 66/1 R, 1 A;
D15/66

607,674 7/1898 Arrowsmith D3/23 X
778,735 12/1904 Becker 223/107
1,664,683 10/1926 Eberhart 223/107
2,099,600 11/1937 Denner 66/1 A
2,624,469 1/1953 Cadwell et al. D6/178 X
3,955,722 5/1976 Bard D3/23 X

Primary Examiner—Robert C. Spangler
Attorney, Agent, or Firm—Mills and Coats

[57] **CLAIM**

The ornamental design for a skein holder or the like, as shown and described.

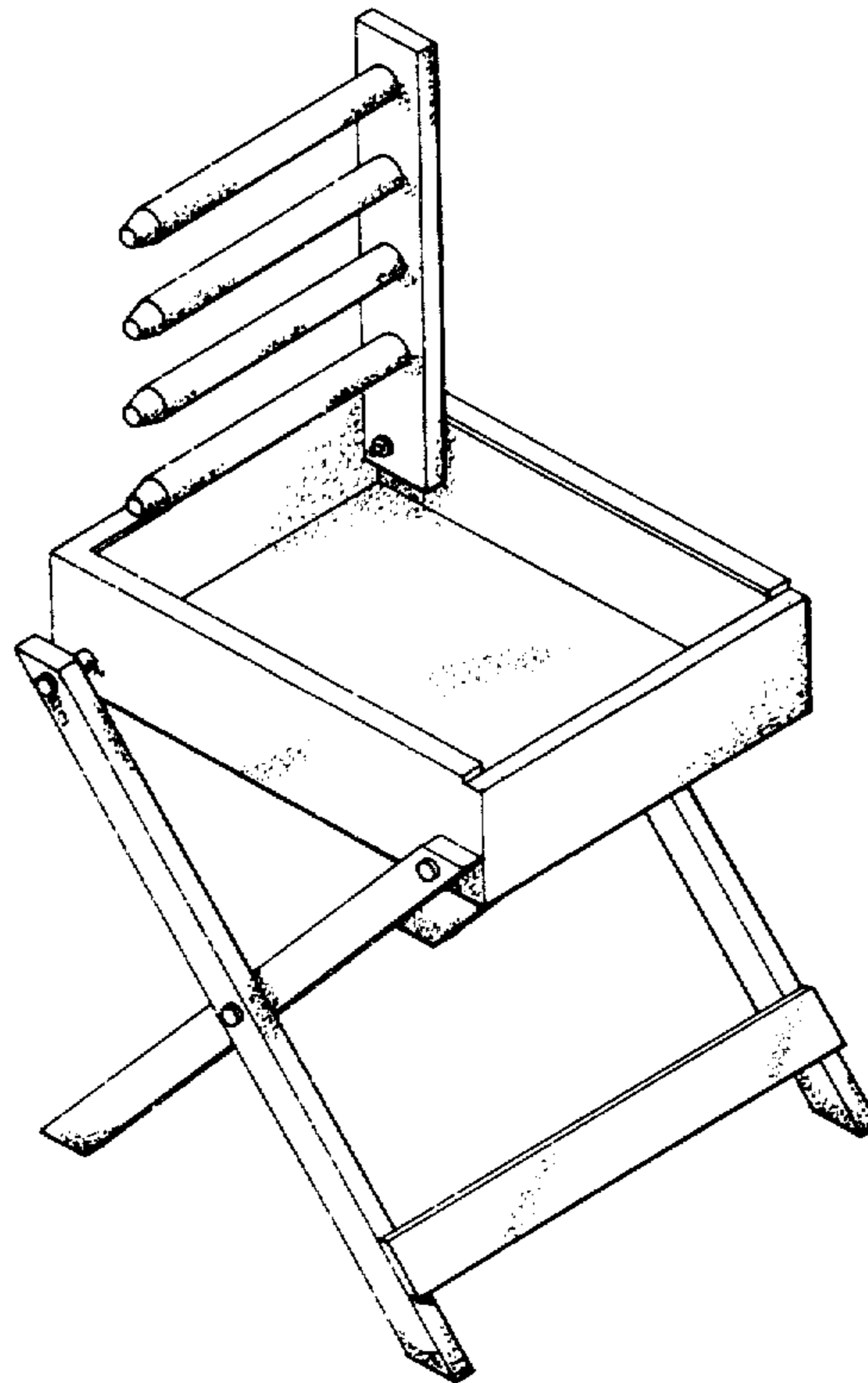
DESCRIPTION

FIG. 1 is a left front perspective view of a skein holder or the like showing my new design;
FIG. 2 is a right side elevational view thereof;
FIG. 3 is a rear perspective view thereof; and
FIG. 4 is a top plan view thereof, the bottom being substantially plain and unornamented.

[56] **References Cited**

U.S. PATENT DOCUMENTS

D. 207,698 5/1967 Silvia D3/23
D. 229,902 1/1974 David D3/23



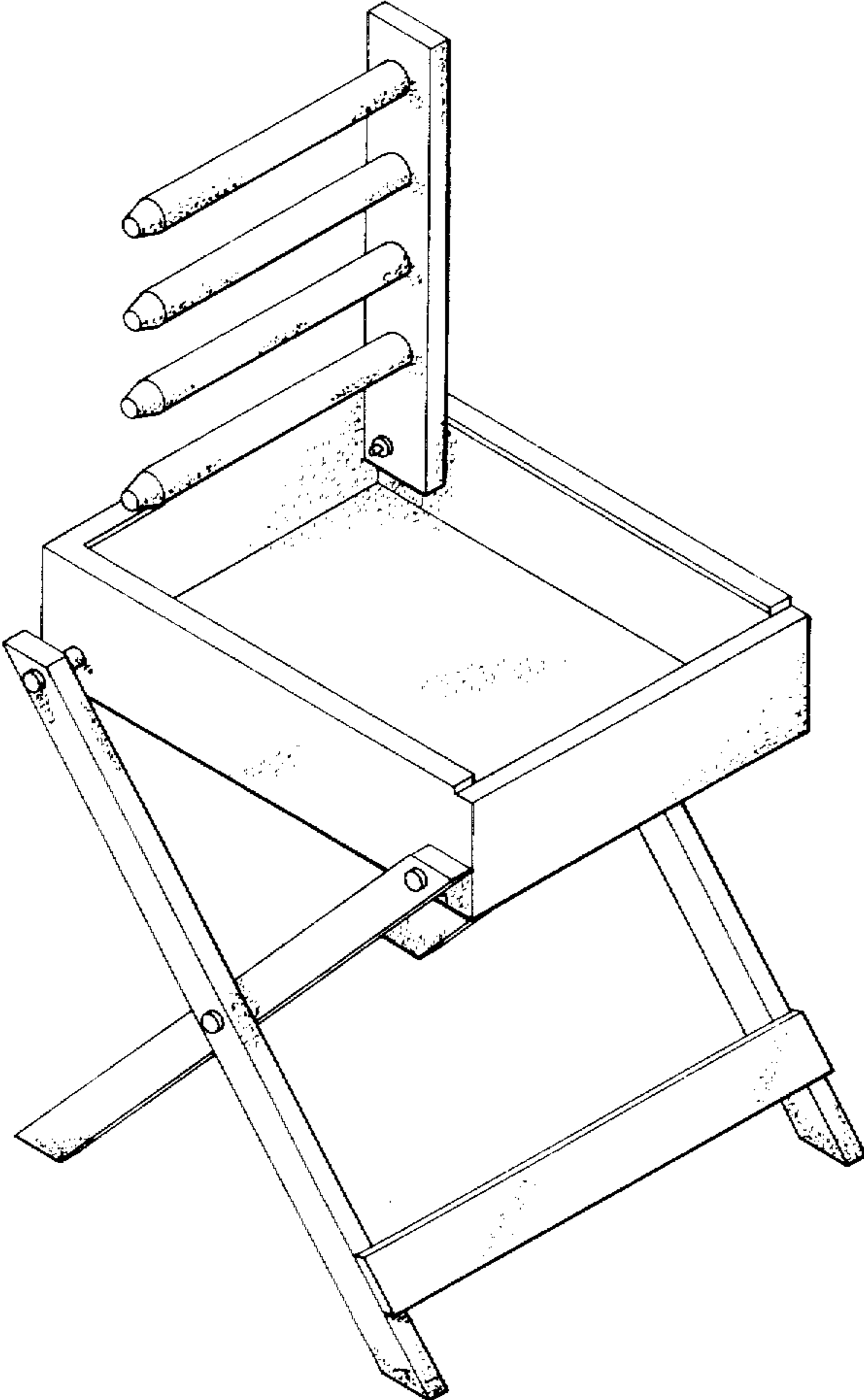


FIG. 1

FIG. 2

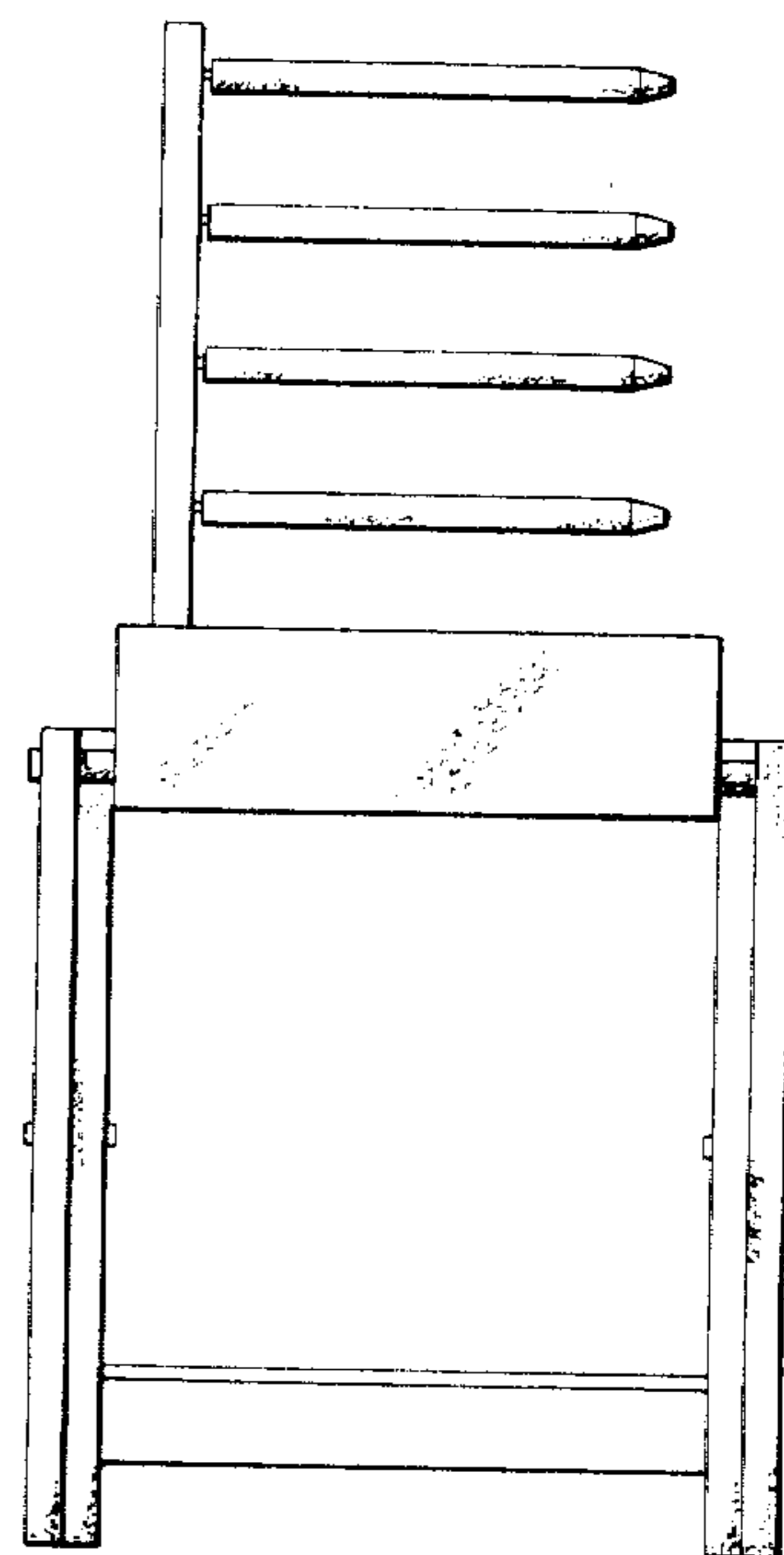
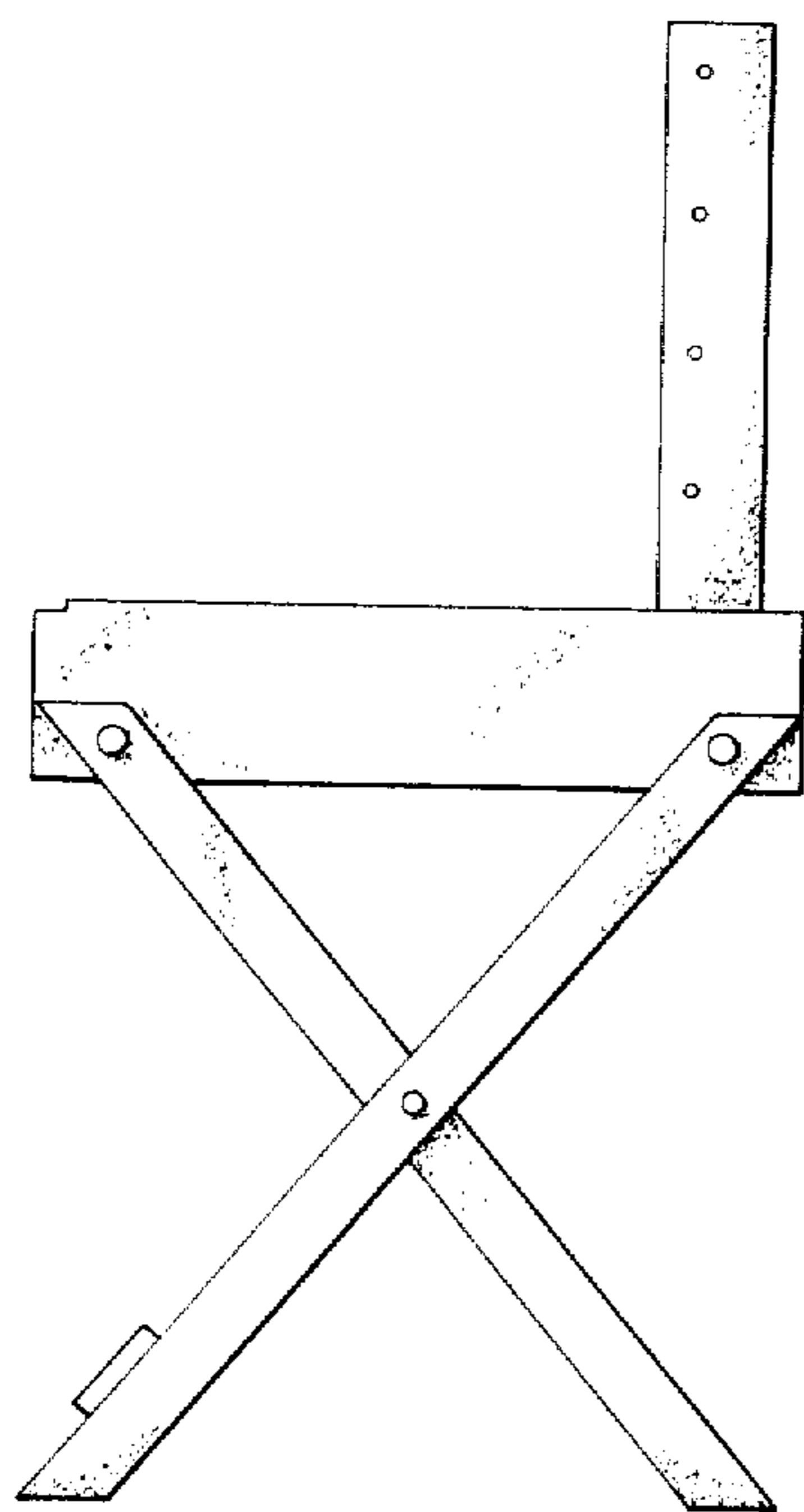


FIG. 3

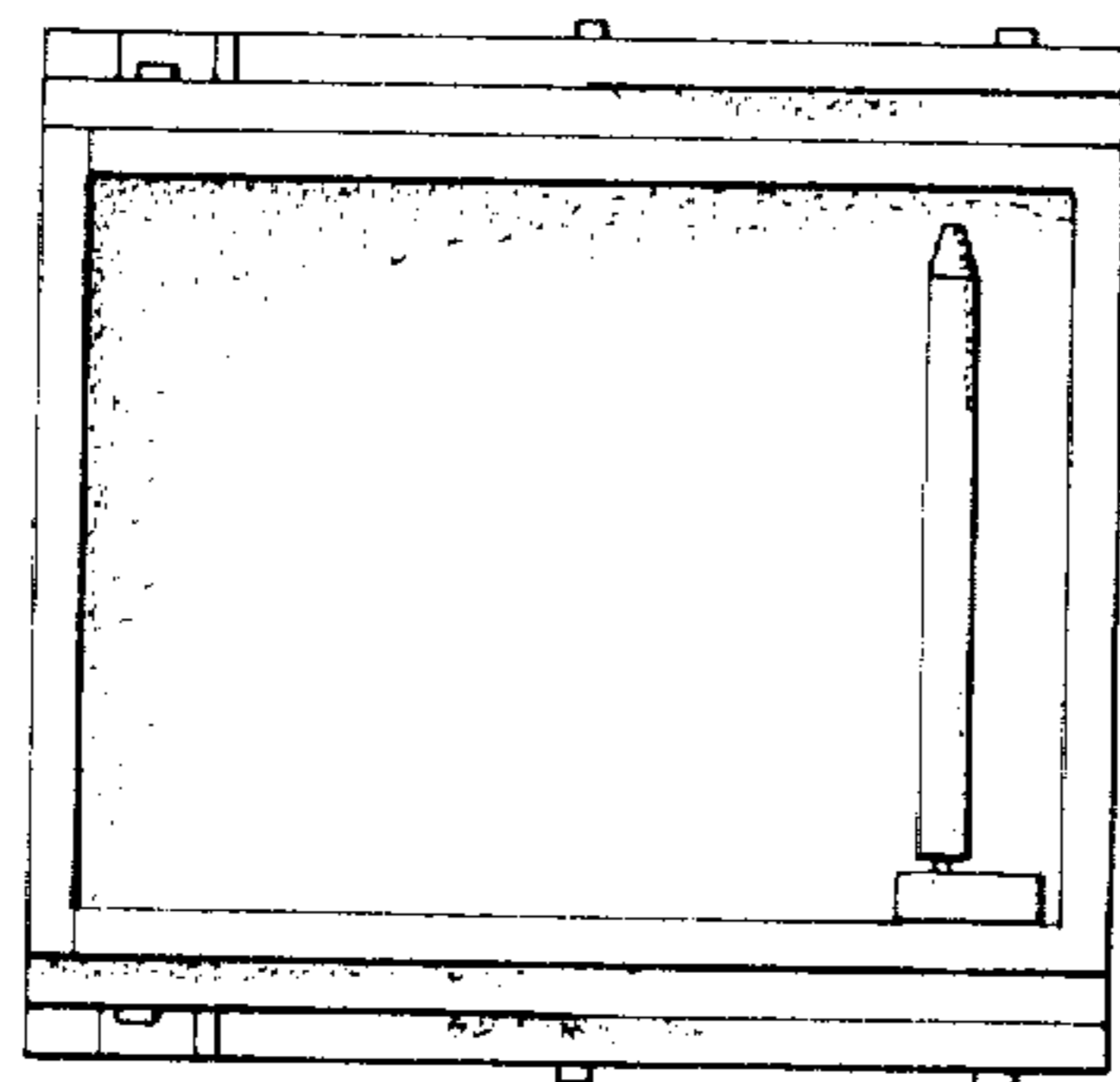


FIG. 4