

[54] GOGGLES

[75] Inventor: Joseph Haslbeck, West Vancouver, Canada

[73] Assignee: Highland Mfg. Company Ltd., Burnaby, Canada

[**] Term: 14 Years

[21] Appl. No.: 138,020

[22] Filed: Apr. 7, 1980

[51] Int. Cl. D2-03

[52] U.S. Cl. D2/234

[58] Field of Search D2/234; 2/12, 13, 426-441, 2/445, 447, 448, 452; 351/41

[56] References Cited

U.S. PATENT DOCUMENTS

- D. 243,482 3/1977 Fireman D2/234
- 955,278 4/1910 Minor 2/444
- 4,051,557 10/1977 Bengston et al. 2/430

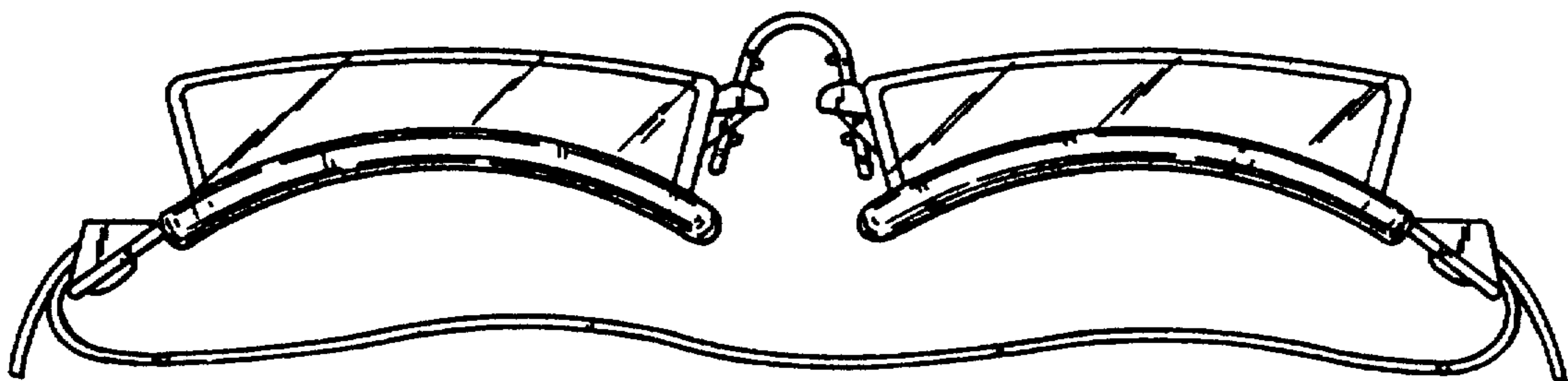
Primary Examiner—Susan J. Lucas
Attorney, Agent, or Firm—Fetherstonhaugh & Co.

[57] CLAIM

The ornamental design for goggles, substantially as shown and described.

DESCRIPTION

FIG. 1 is a top plan of goggles showing my new design; FIG. 2 is a front elevation of the goggles of FIG. 1; FIG. 3 is a bottom plan of the goggles of FIG. 1; FIG. 4 is a rear elevation of the goggles of FIG. 1; FIG. 5 is a side elevation of the goggles of FIG. 1; FIG. 6 is an opposite side elevation of the goggles of FIG. 1; FIG. 7 is a top plan of goggles of a second embodiment of my new design; FIG. 8 is a front elevation of the goggles of FIG. 7; FIG. 9 is a bottom plan of the goggles of FIG. 7; FIG. 10 is a rear elevation of the goggles of FIG. 7; FIG. 11 is a side elevation of the goggles of FIG. 7; and FIG. 12 is an opposite side elevation of the goggles of FIG. 7.



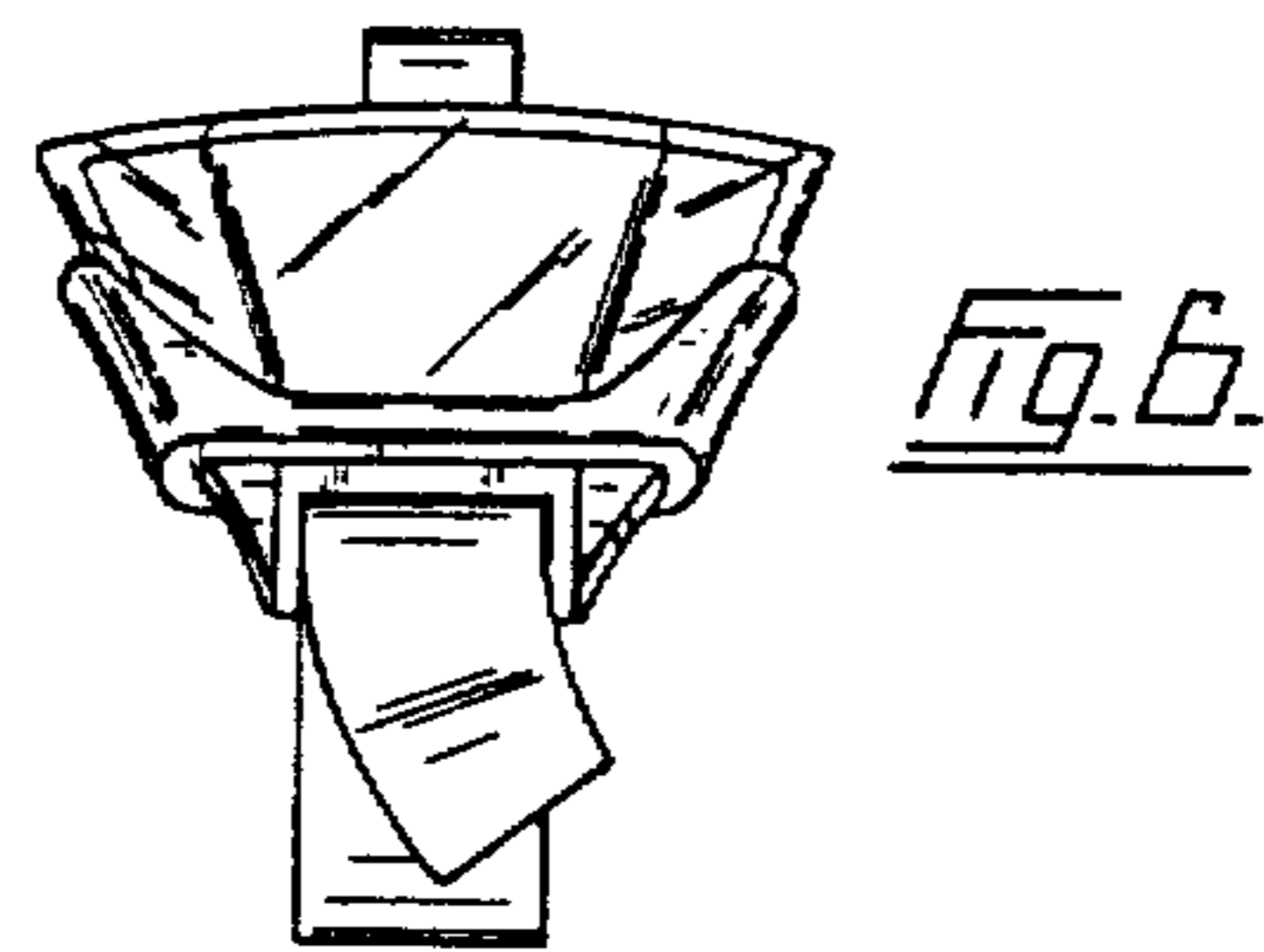
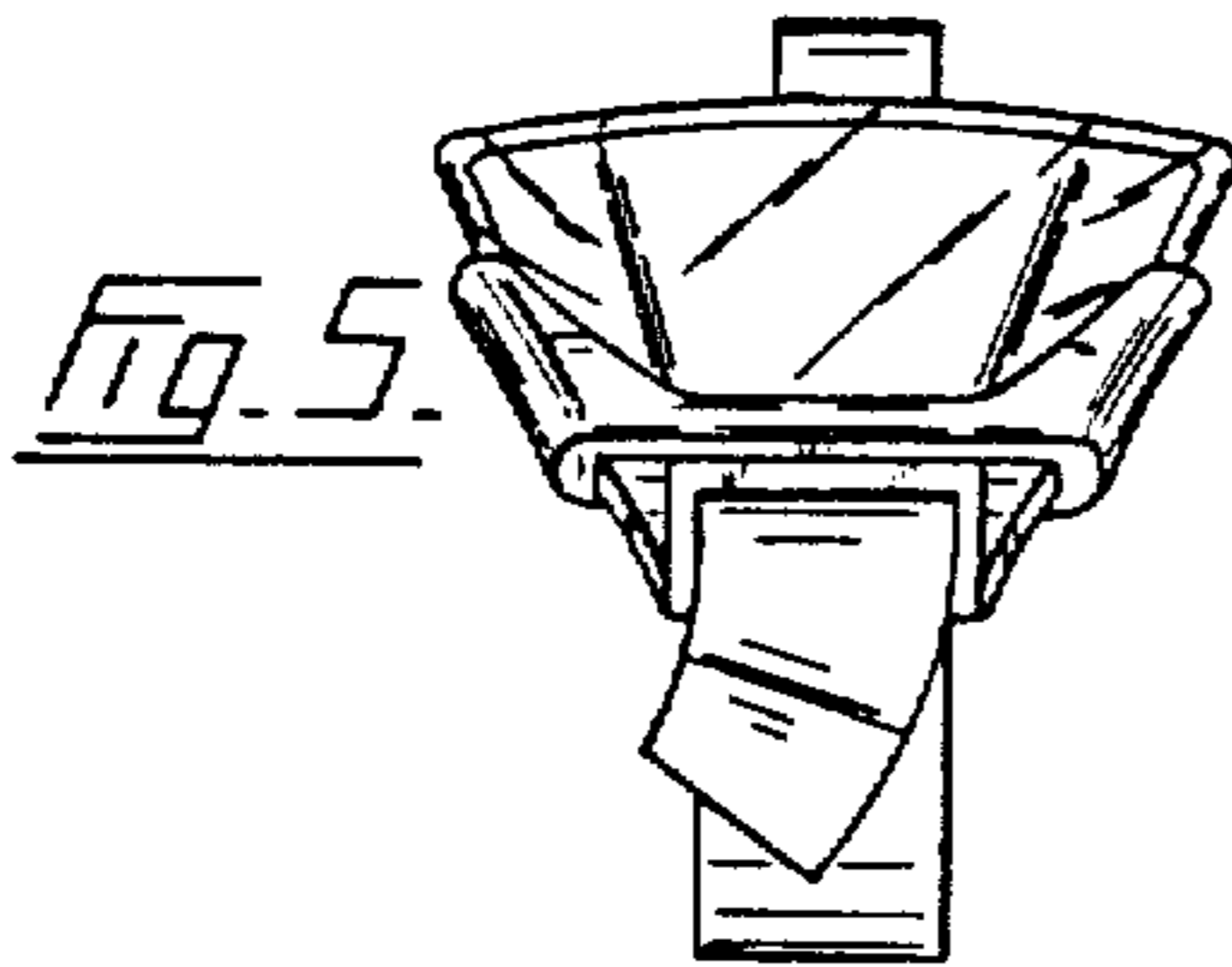
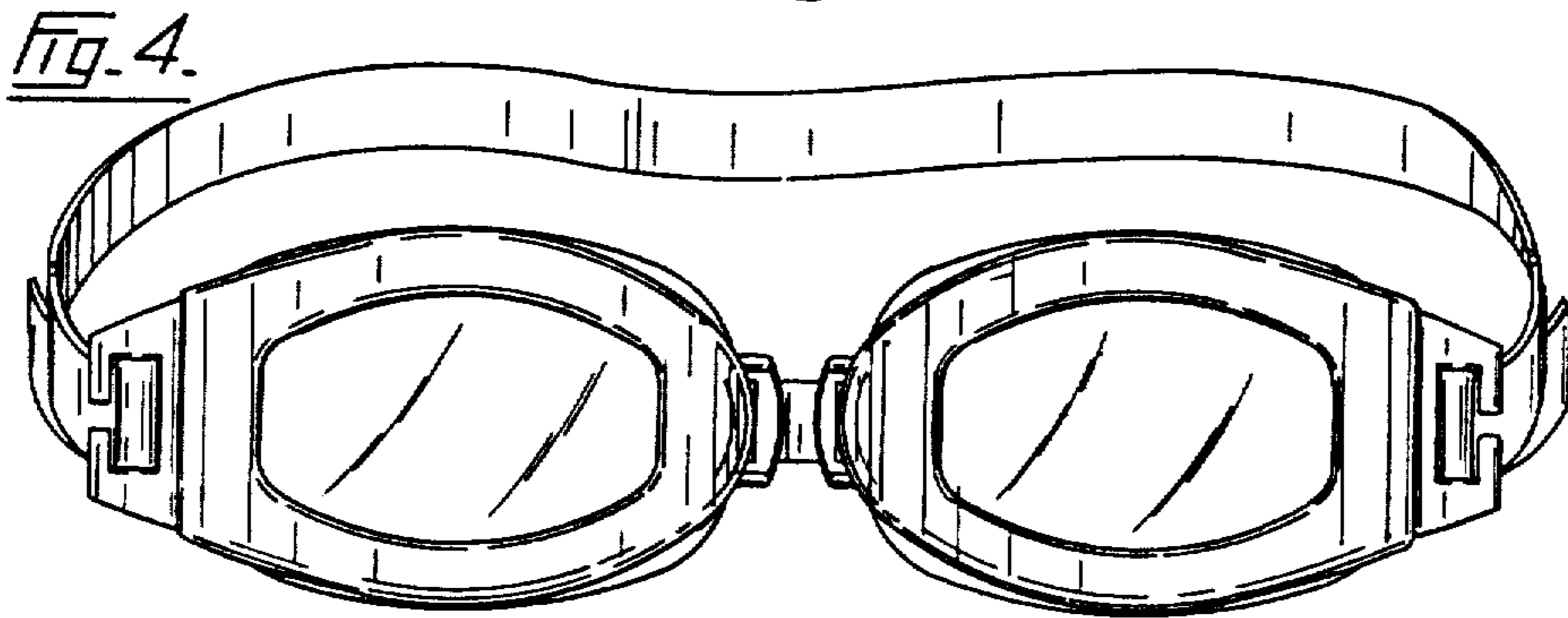
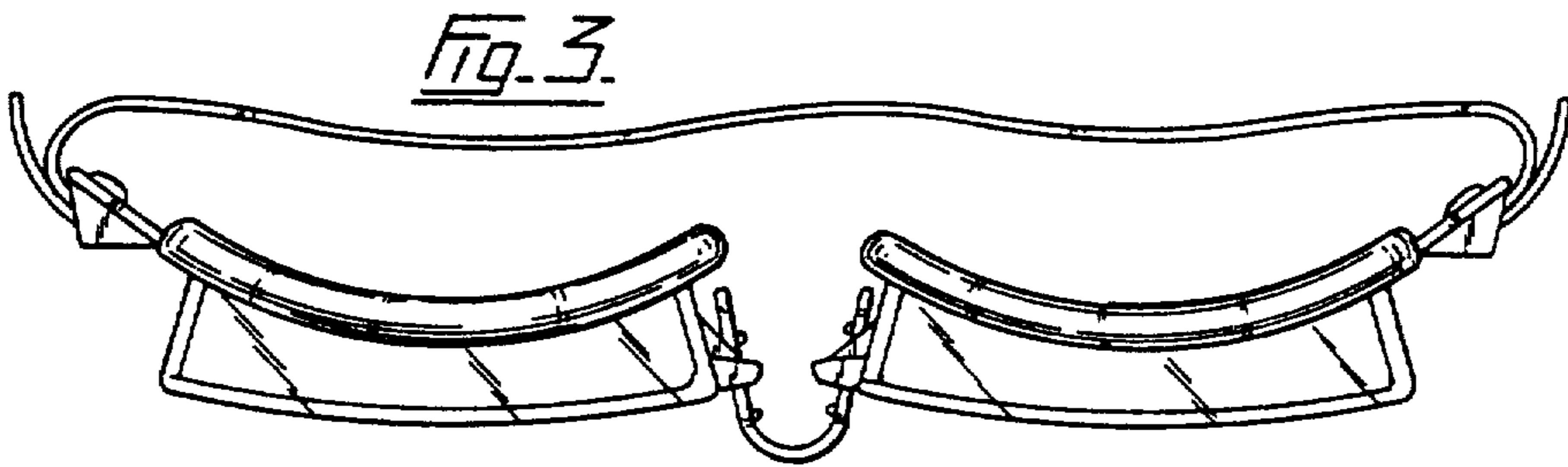
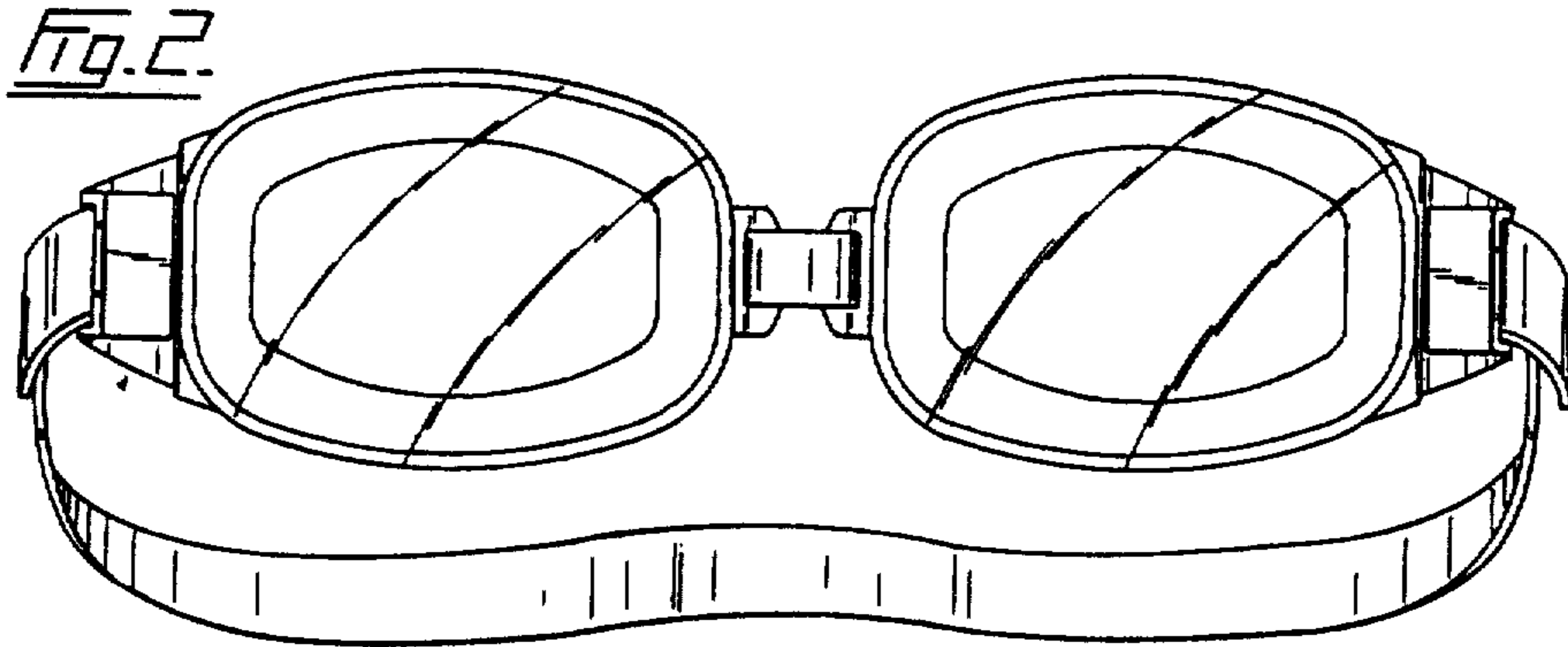
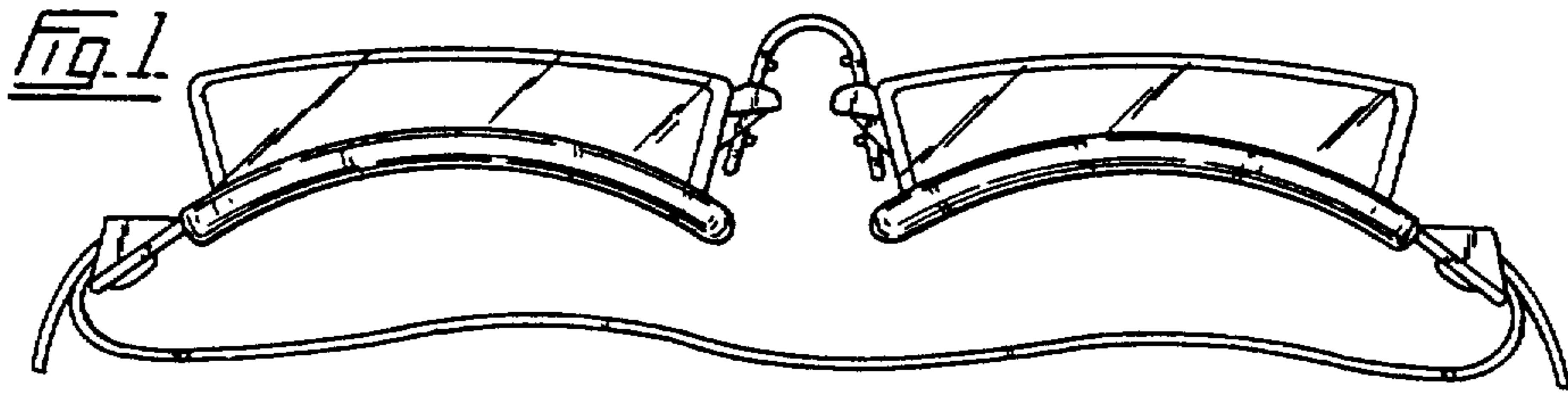


Fig. 7.

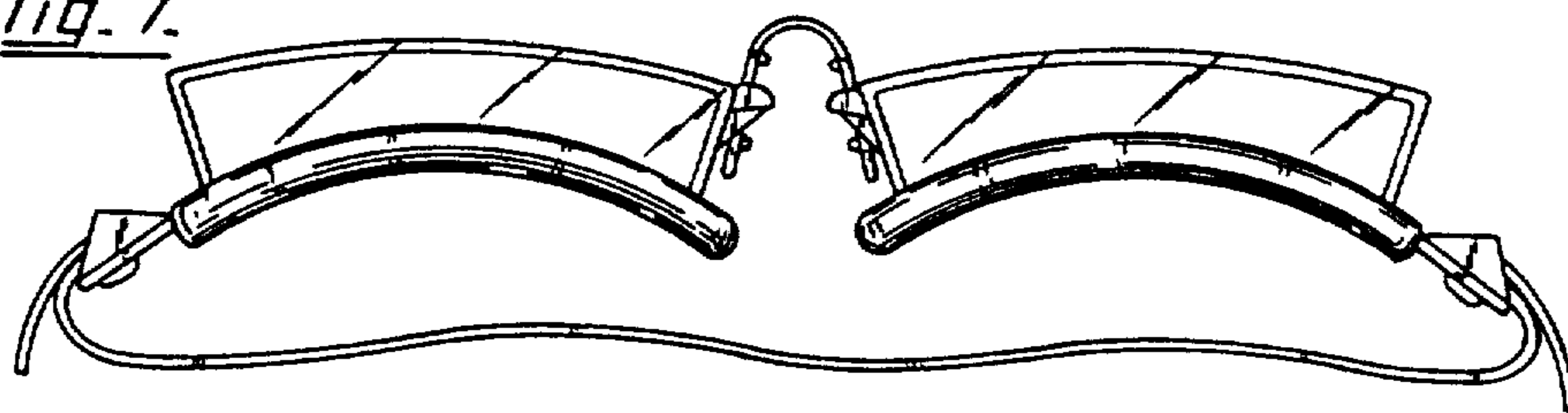


Fig. 8.

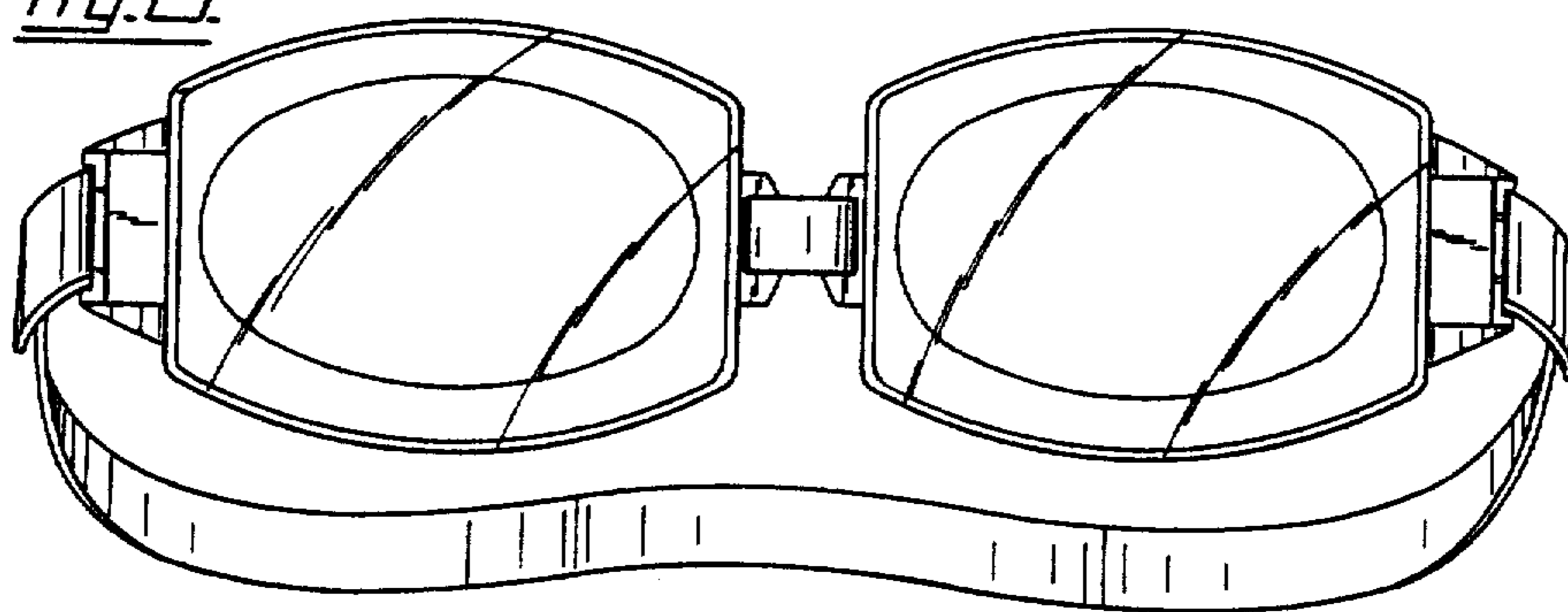


Fig. 9.

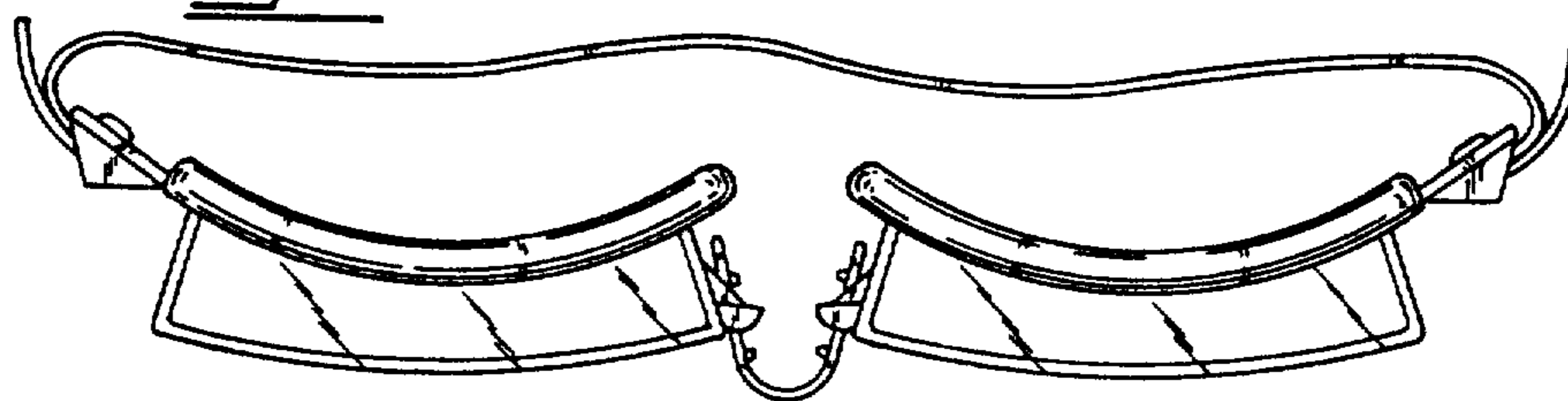


Fig. 10.

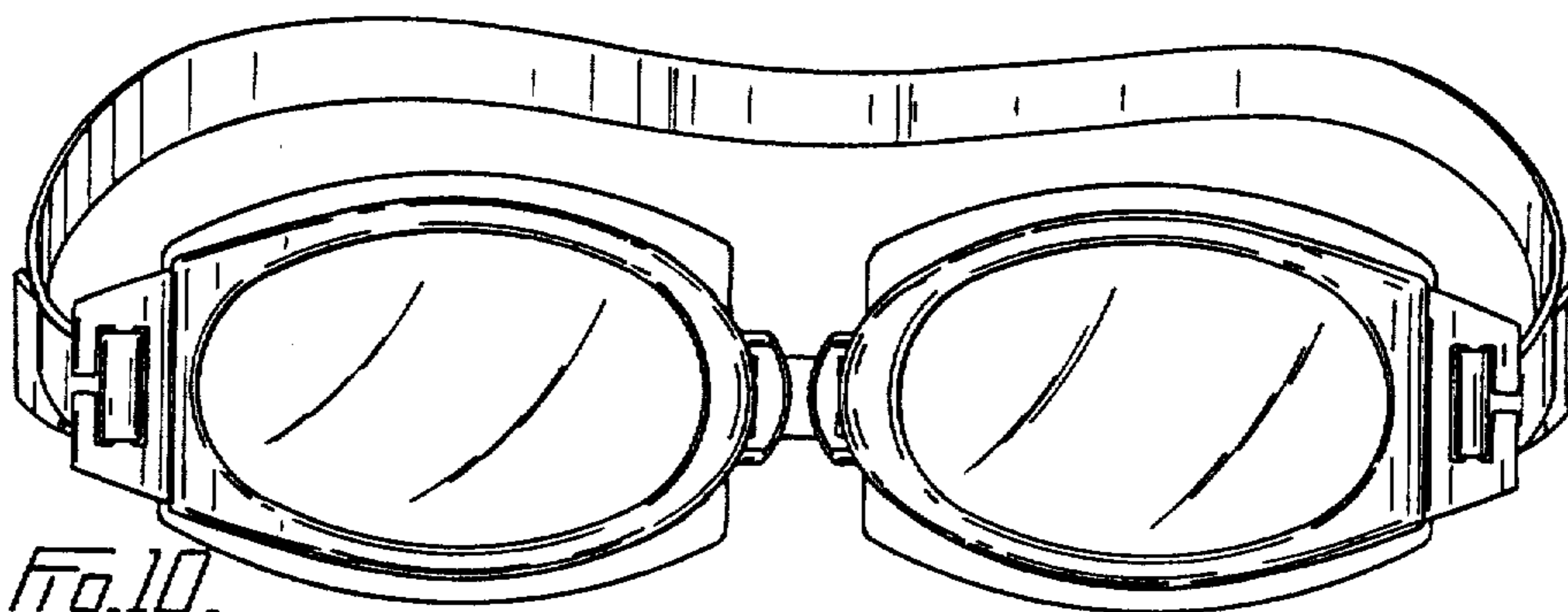


Fig. 11.

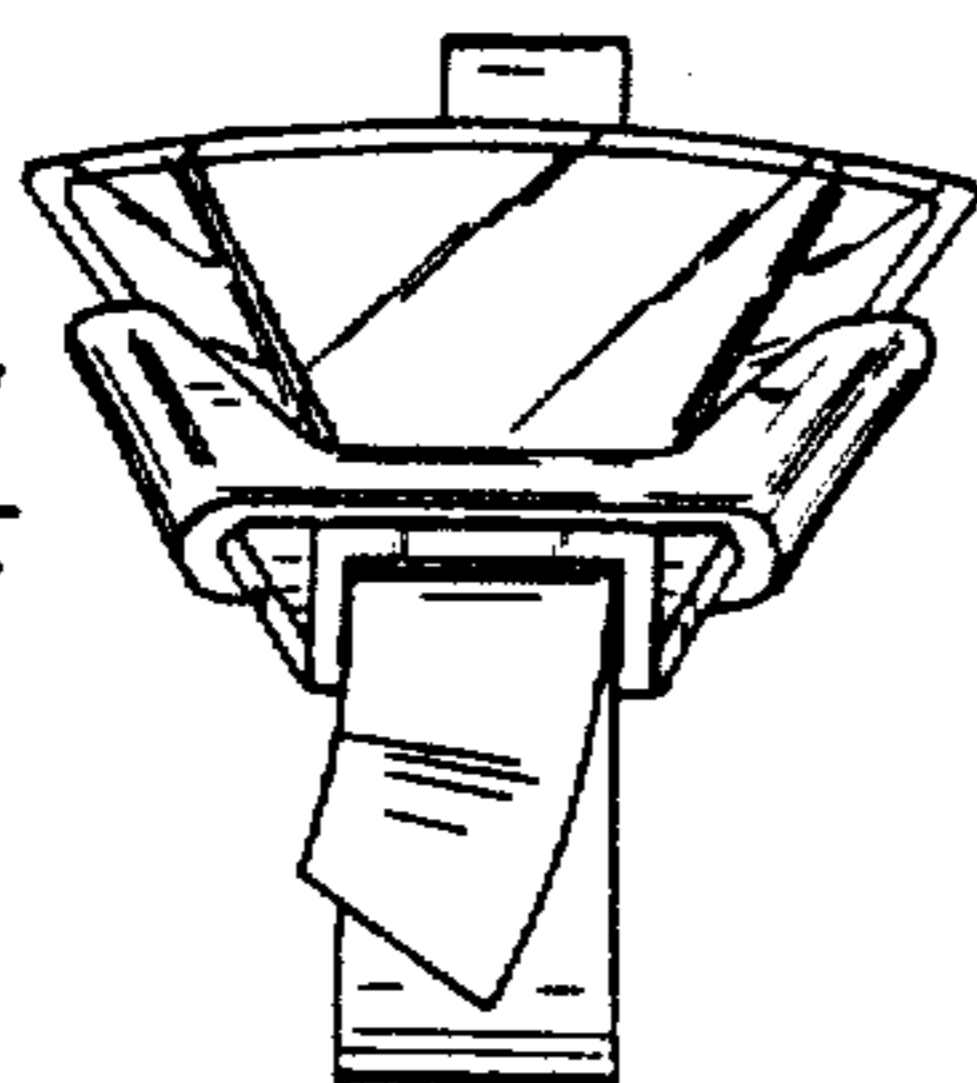


Fig. 12.

