

[54] ULTRASONIC CLEANER

[75] Inventors: William L. Puskas, Trumbull; Jean G. M. Dussault, Naugatuck, both of Conn.

[73] Assignee: Branson Ultrasonics Corporation, Newtown, Conn.

[**] Term: 14 Years

[21] Appl. No.: 249,212

[22] Filed: Mar. 30, 1981

[51] Int. Cl. D15-05

[52] U.S. Cl. D32/1

[58] Field of Search D32/1-15, D32/25-34; 366/127; 134/1

[56] References Cited

U.S. PATENT DOCUMENTS

- D. 182,330 3/1958 Corbett D32/2
- D. 182,402 4/1958 Corbett D32/2
- D. 188,982 10/1960 Gruettner D32/1

- D. 191,611 10/1961 Kearney D32/1
- D. 219,167 11/1970 Rissolo D32/1
- D. 259,425 6/1981 Doyel D32/1
- 3,113,761 12/1963 Platzman 366/115
- 3,771,772 11/1973 Honda 366/127 X
- 3,851,861 12/1974 Cummins et al. 366/127 X
- 4,140,401 2/1979 Paschal 366/127

Primary Examiner—James R. Largen
Attorney, Agent, or Firm—Ervin B. Steinberg; Philip J. Feig

[57] CLAIM

The ornamental design for an ultrasonic cleaner, substantially as shown.

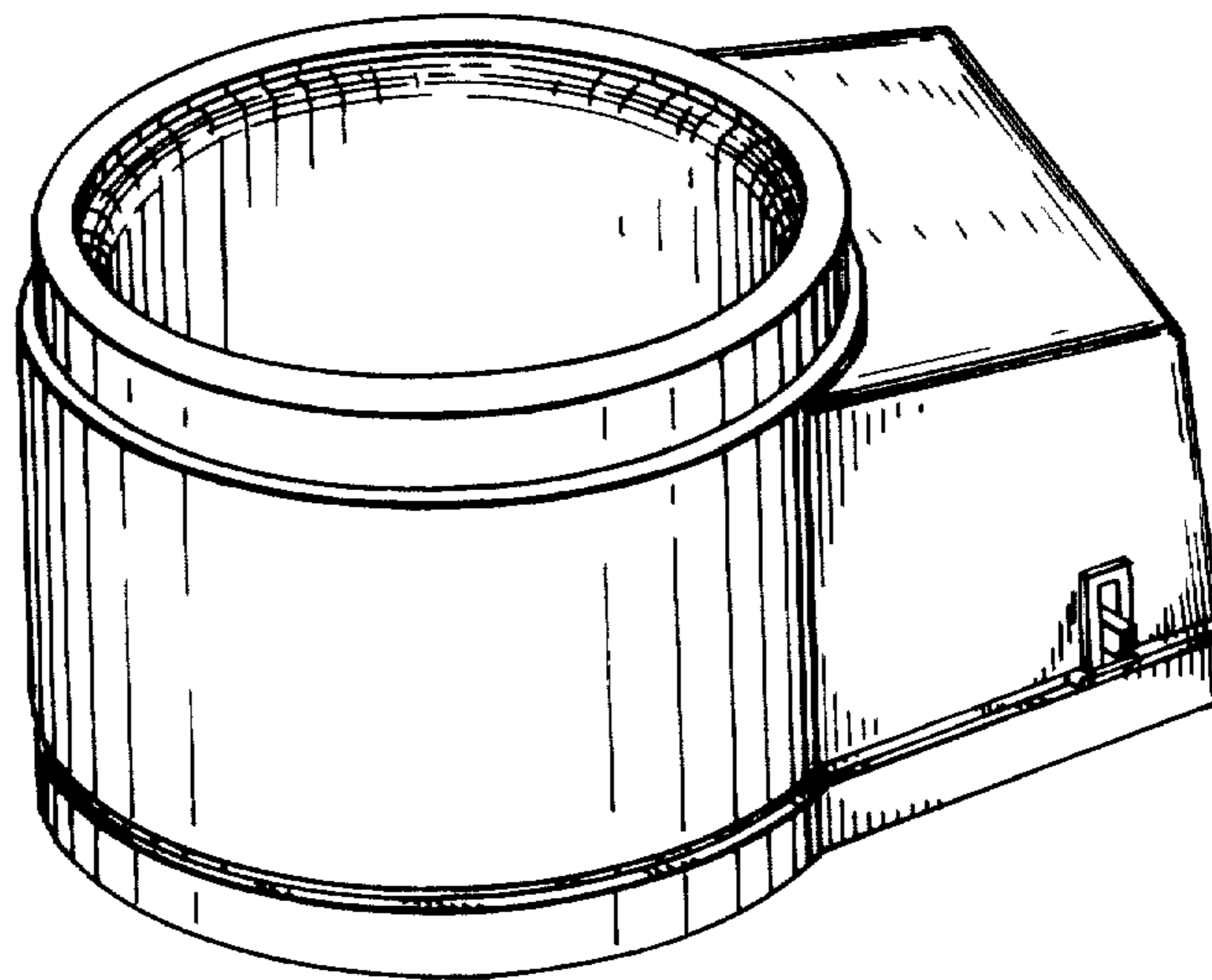
DESCRIPTION

FIG. 1 is a perspective view taken from the top, front and right side of an ultrasonic cleaner showing our new design;

FIG. 2 is a left side elevational view thereof; and

FIG. 3 is a rear elevational view thereof.

The fragmentary broken line showing of an electric cord in FIGS. 2 and 3 are for purposes of illustration only.



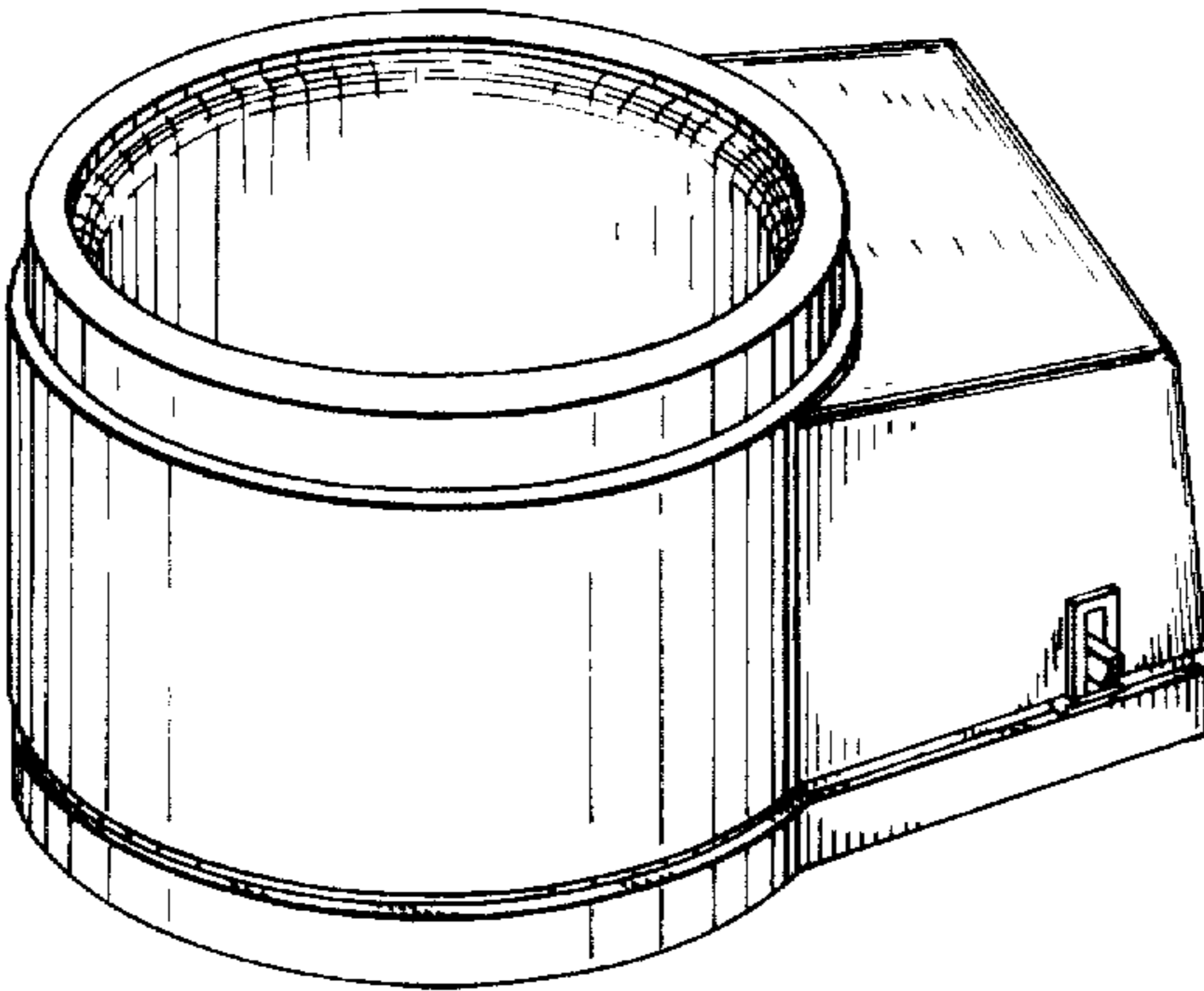


FIG. 1

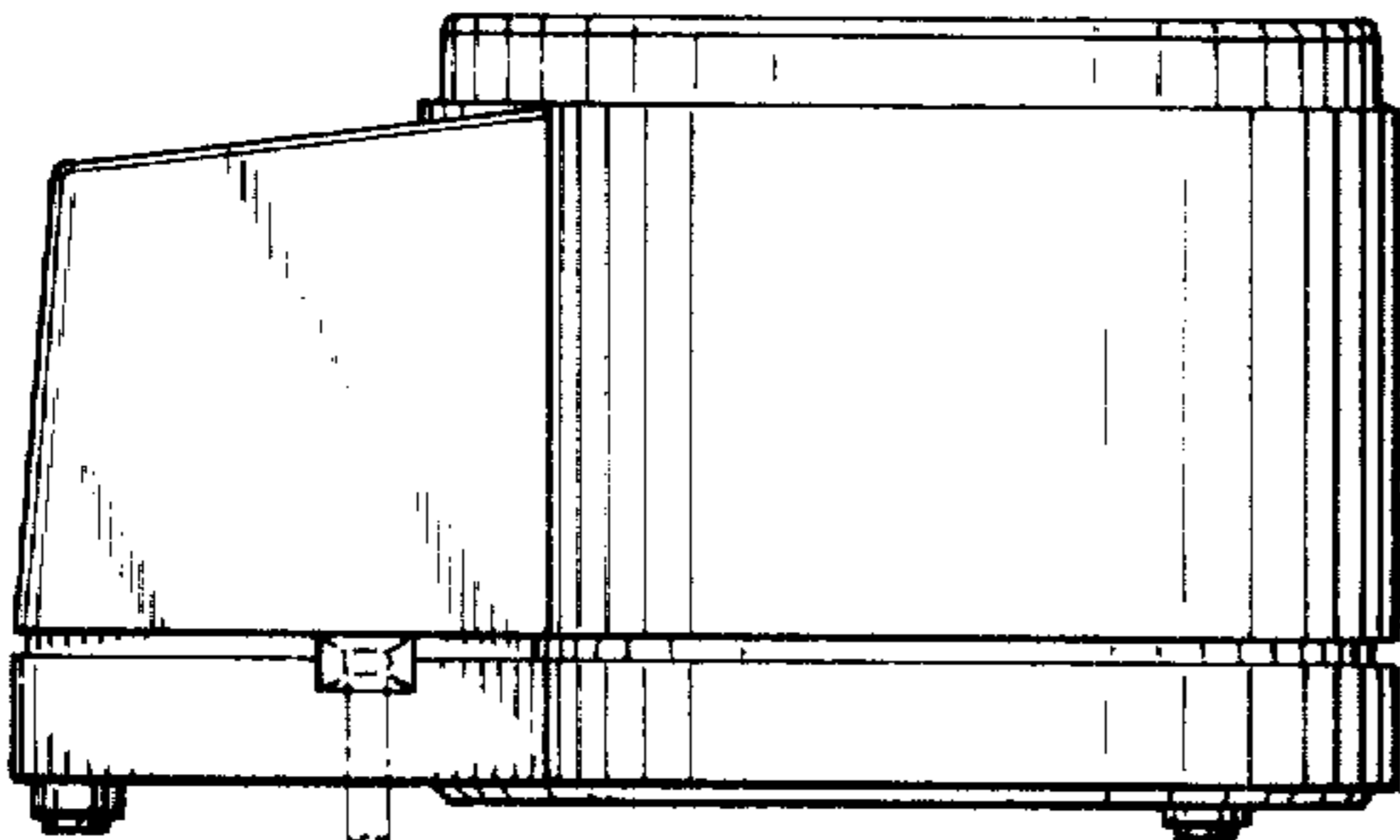


FIG. 2

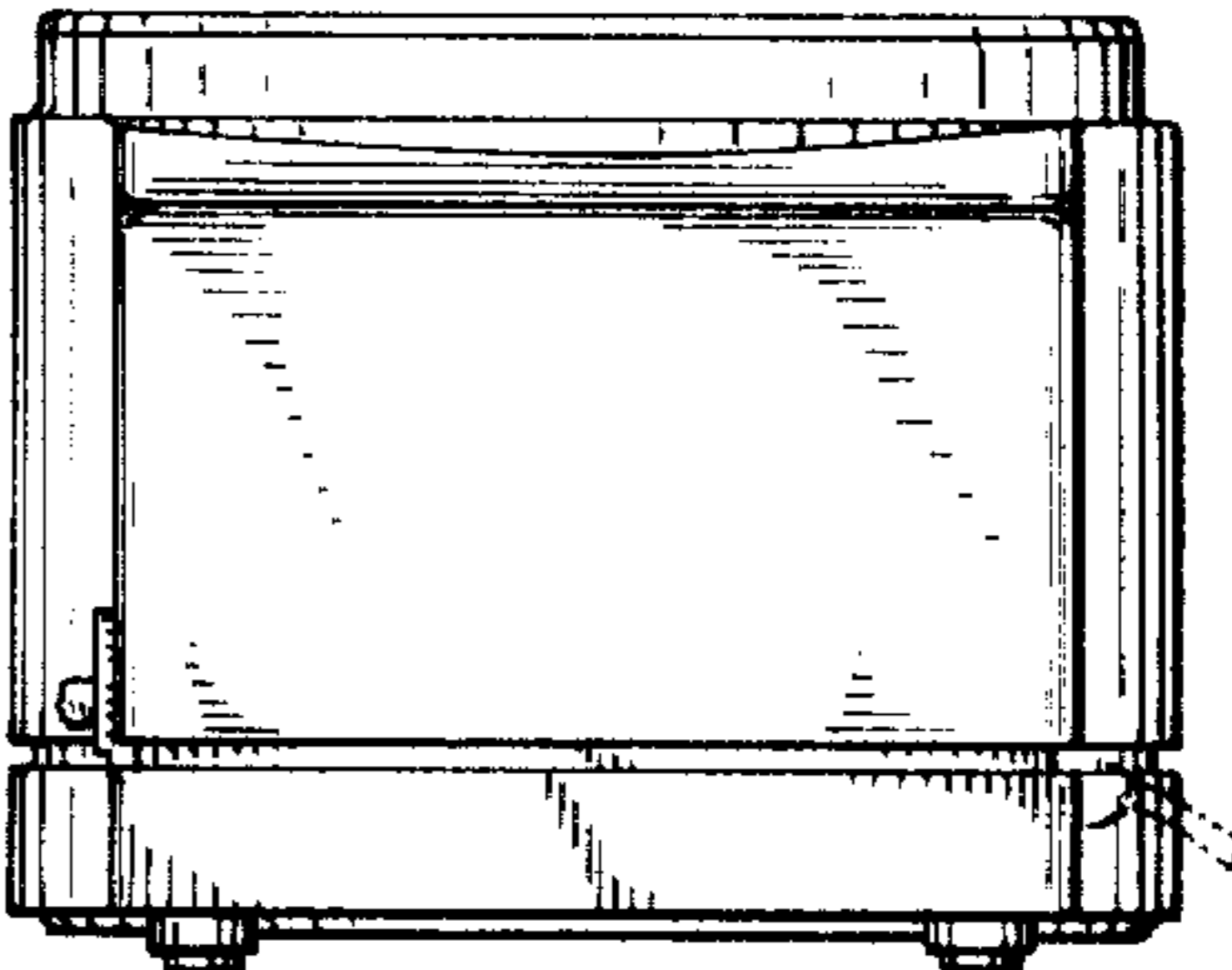


FIG. 3