

[54] SUN BATHING TUB
[76] Inventors: **Gayle K. DuBois**, 932 SW. Palatine Hill Rd., Portland, Oreg. 97219;
Joyce E. Warner, 1210 Broadway, Longview, Wash. 98632

[**] Term: **14 Years**
[21] Appl. No.: **50,658**
[22] Filed: **Jun. 21, 1979**

[51] Int. Cl. **D24-99**
[52] U.S. Cl. **D24/38; D24/39**
[58] Field of Search **D24/38, 39; D25/2; D6/200, 201; 128/372, 373; 4/538, 547, 589, 571**

[56] **References Cited**
U.S. PATENT DOCUMENTS
D. 226,243 1/1973 Talge et al. D24/38
D. 233,200 10/1974 Madl D6/201
D. 233,262 10/1974 Tersch et al. D24/38

D. 236,287 8/1975 McNair D24/40
D. 254,206 2/1980 Ogden D24/38
3,023,753 3/1962 Wheless 128/372
3,170,172 2/1965 Kessman 128/372
3,579,659 5/1971 Baumann 178/66
3,688,775 9/1972 Raymann 128/372

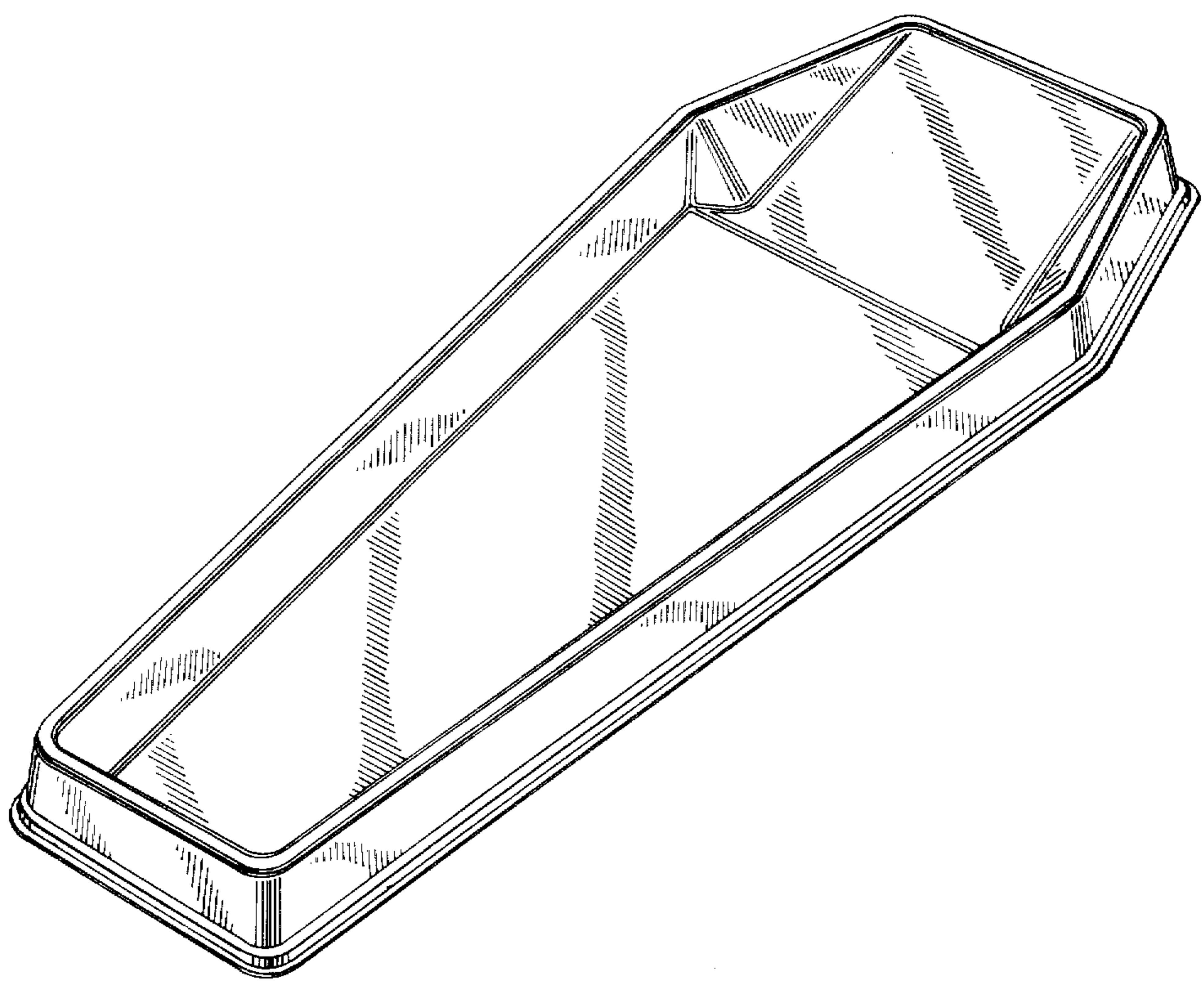
Primary Examiner—T. Tung
Attorney, Agent, or Firm—Kolisch, Hartwell & Dickinson

[57] **CLAIM**

The ornamental design for sun bathing tub, as shown.

DESCRIPTION

FIG. 1 is a top perspective view of the sun bathing tub of the invention.
FIG. 2 is a bottom perspective view, on about the same scale as FIG. 1, of the tub of FIG. 1.
FIG. 3 is a top plan view of the sun bathing tub.
FIG. 4 is a front elevation view of the tub shown in FIG. 3.
FIG. 5 is a left side elevation view of FIG. 3.
FIG. 6 is a right side elevation view of FIG. 3.



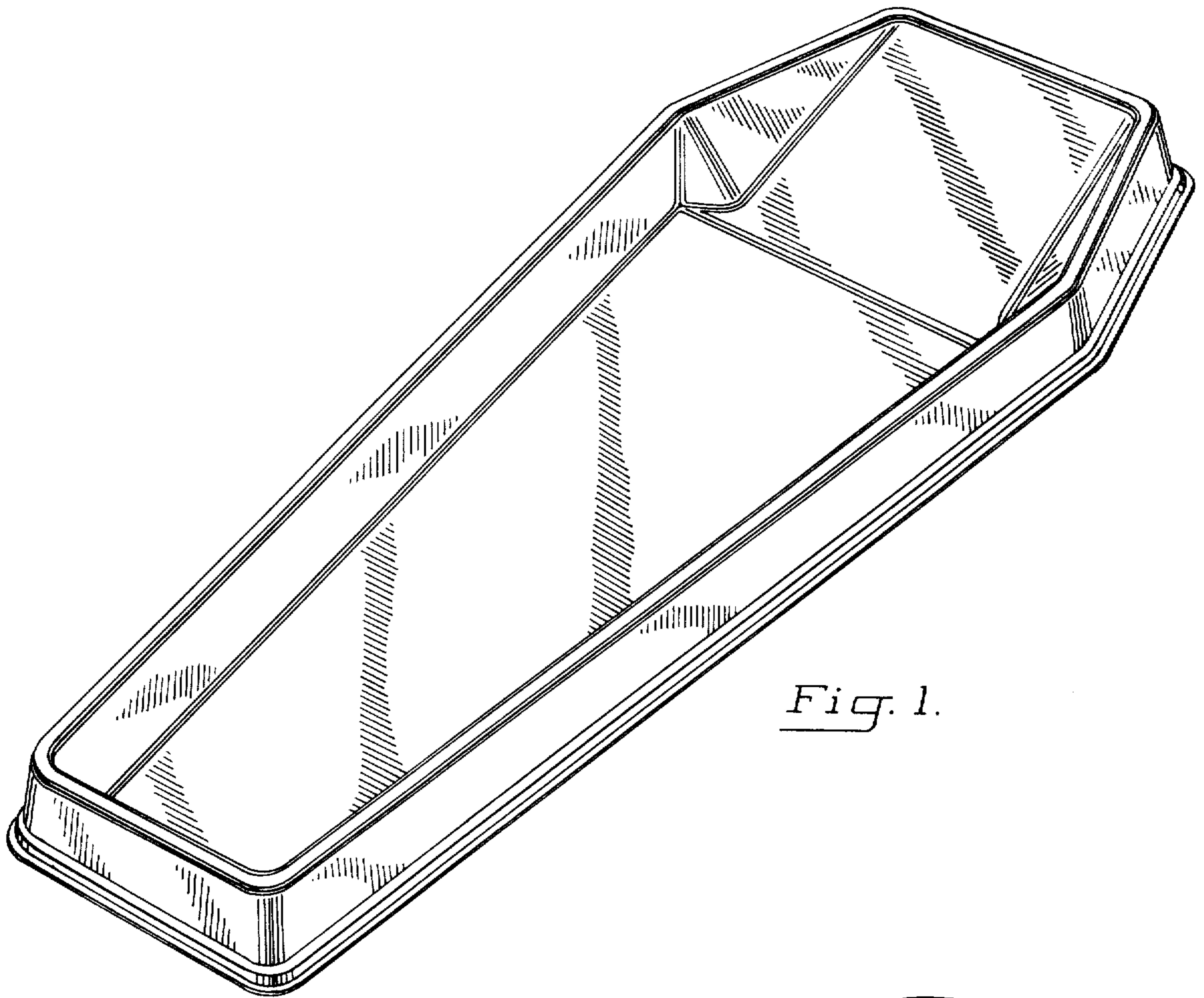


Fig. 1.

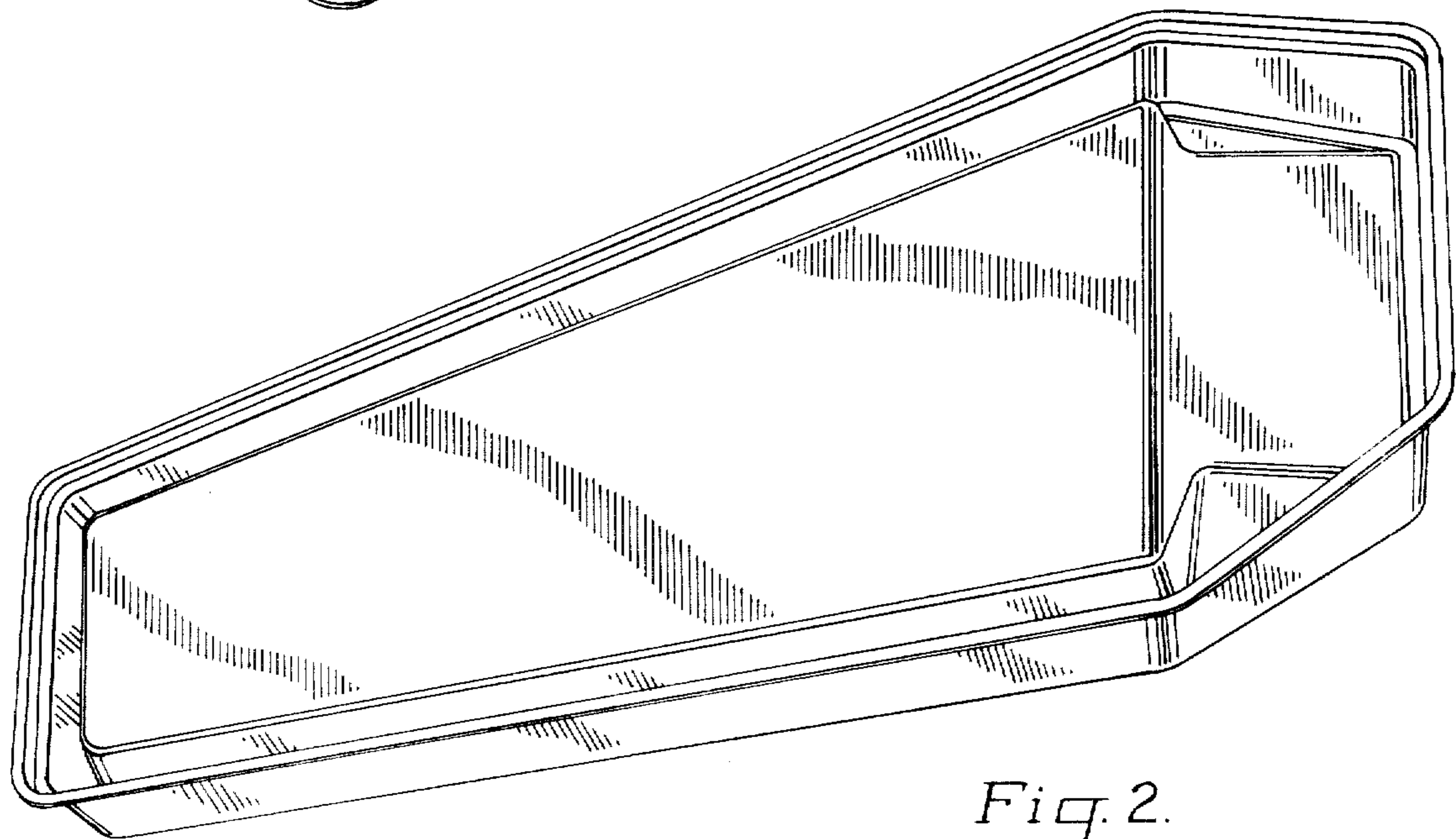


Fig. 2.

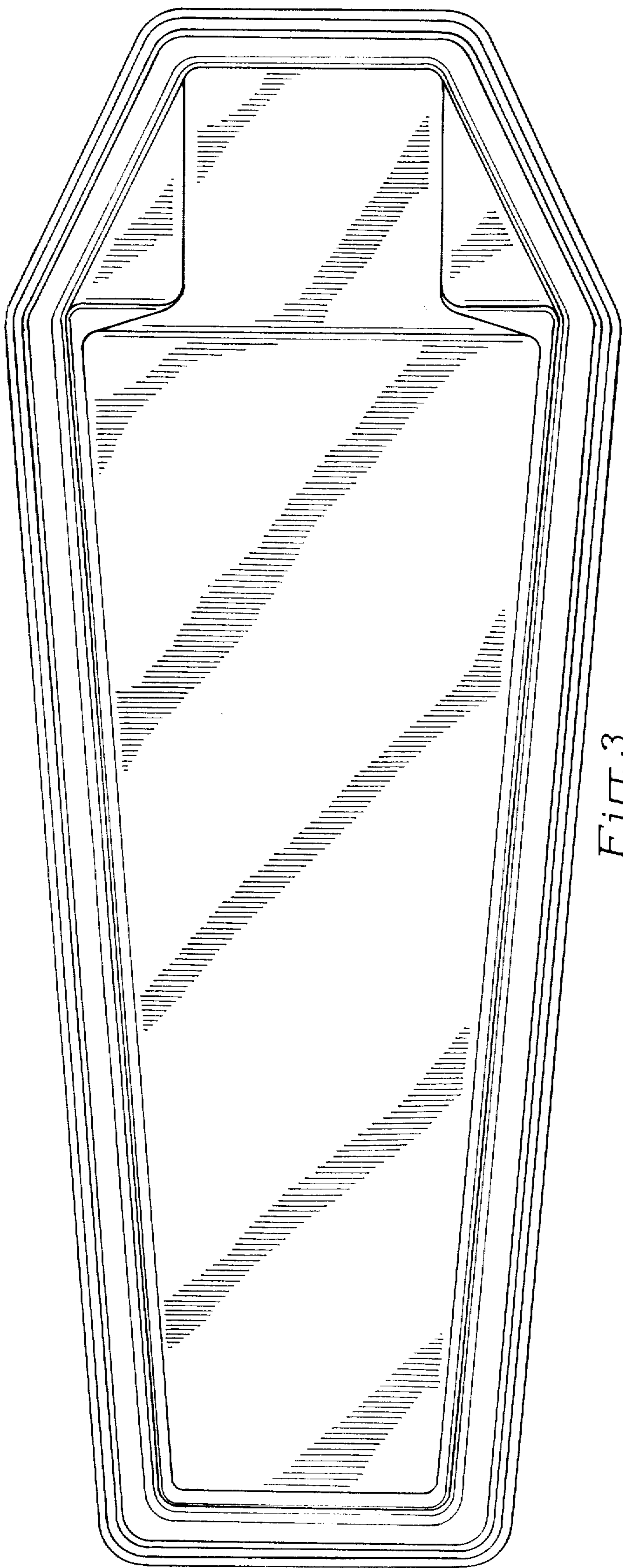


Fig. 3.

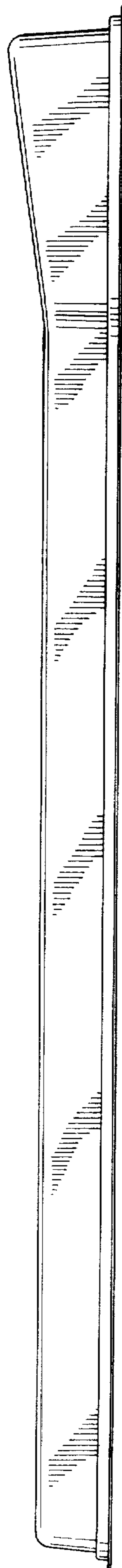


Fig. 4.

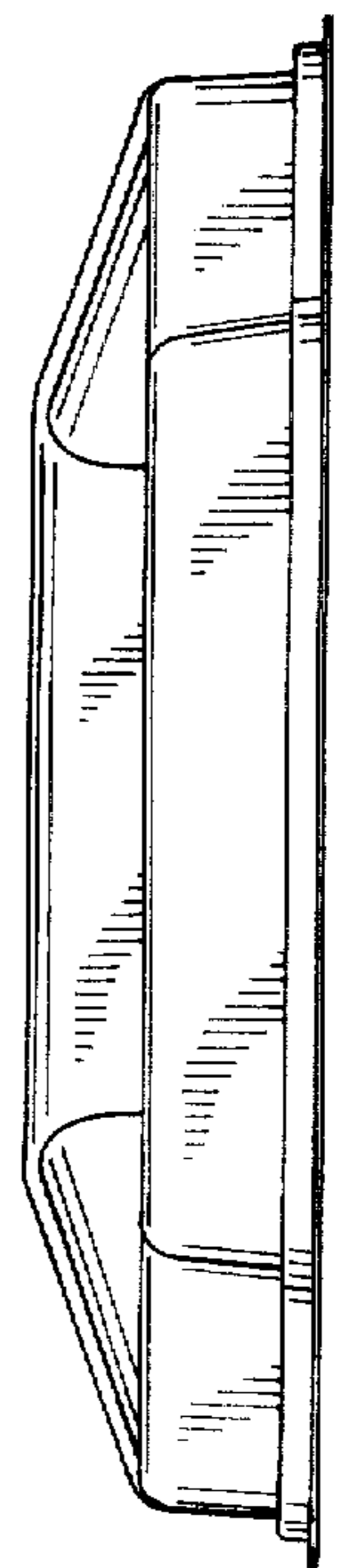


Fig. 5.

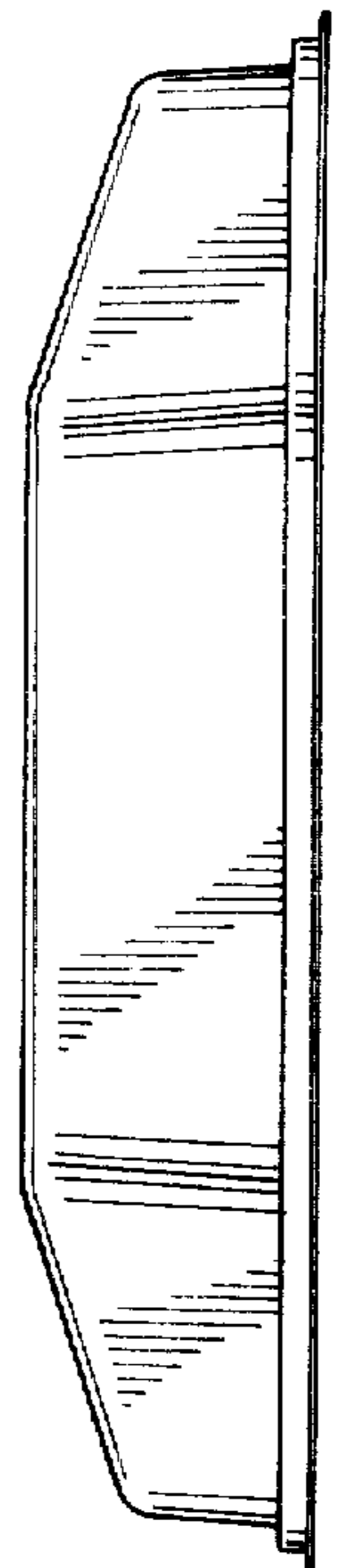


Fig. 6.