

[54] CLAY PIGEON LAUNCHER

3,924,600 12/1975 Leubkeman 124/8 X
3,951,125 4/1976 Dixon 124/8

[76] Inventor: Jack D. Sexton, 1499 Palma Dr.,
Ventura, Calif. 93003

Primary Examiner—A. Hugo Word
Attorney, Agent, or Firm—Ralph B. Pastoriza

[**] Term: 14 Years

[21] Appl. No.: 189,380

[57] CLAIM

[22] Filed: Sep. 22, 1980

The ornamental design for a clay pigeon launcher, sub-
stantially as shown.

[51] Int. Cl. D22—04

DESCRIPTION

[52] U.S. Cl. D22/99

[58] Field of Search 124/8, 7, 6, 43, 80;
273/348, 355, 405; D22/1, 99

FIG. 1 is a perspective view of a clay pigeon launcher
showing my new design;

FIG. 2 is a front elevation thereof;

FIG. 3 is a right side elevation thereof;

FIG. 4 is a rear elevation thereof;

FIG. 5 is a left side elevation thereof;

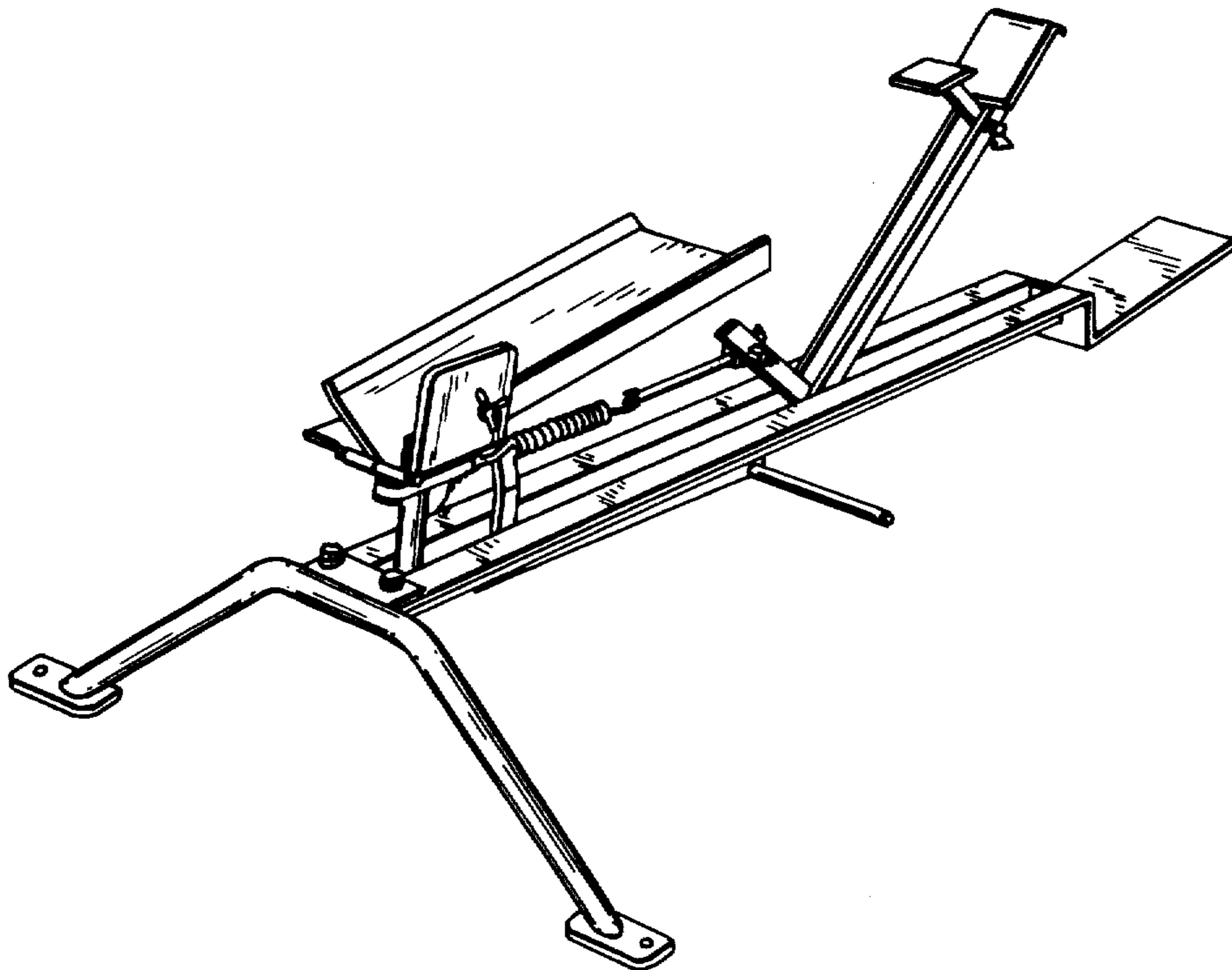
FIG. 6 is a top plan view thereof; and,

FIG. 7 is a bottom plan view thereof.

[56] References Cited

U.S. PATENT DOCUMENTS

D. 228,186 8/1973 Wortley, Jr. D22/99
3,601,112 8/1971 Dale 124/8



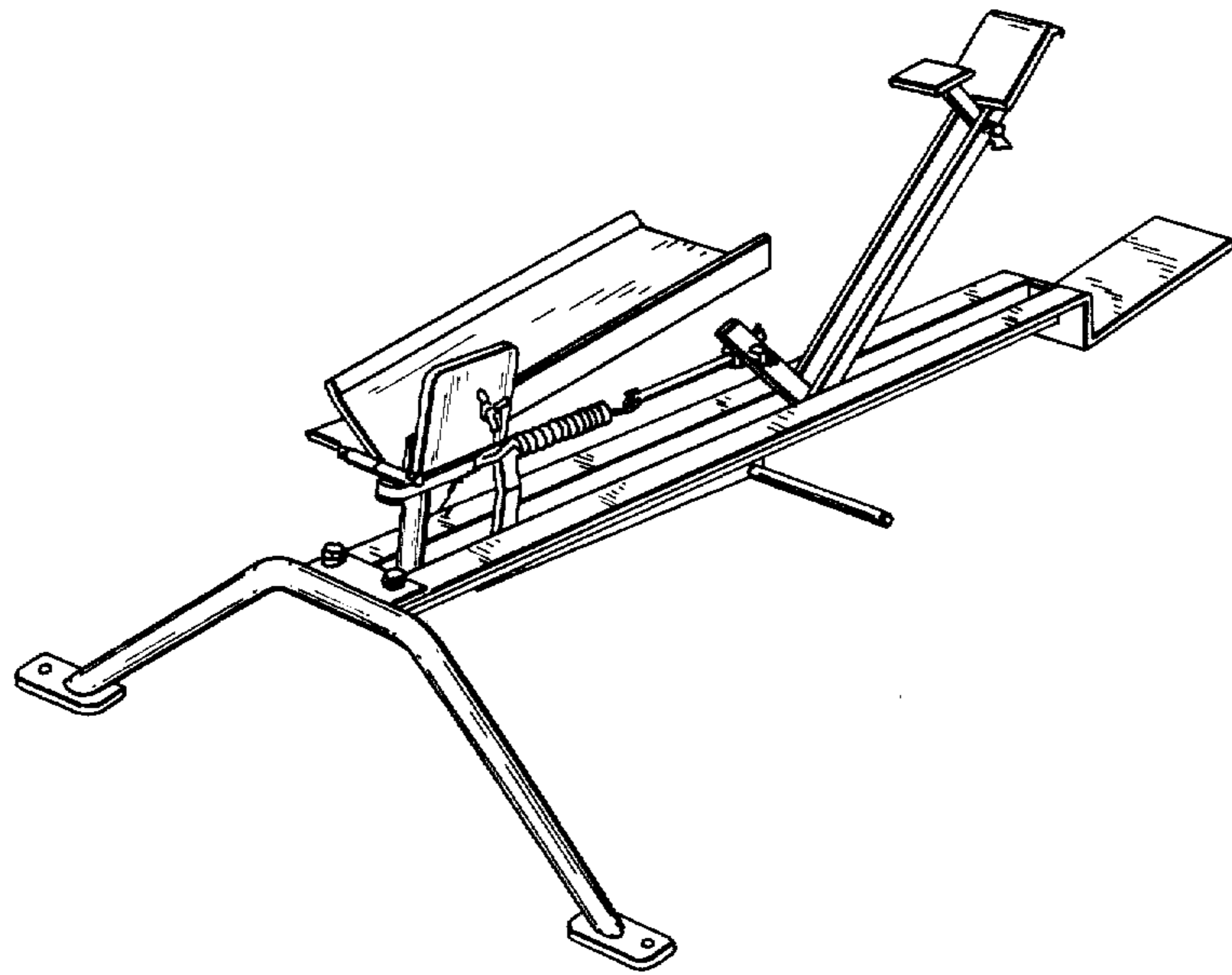


FIG. 1

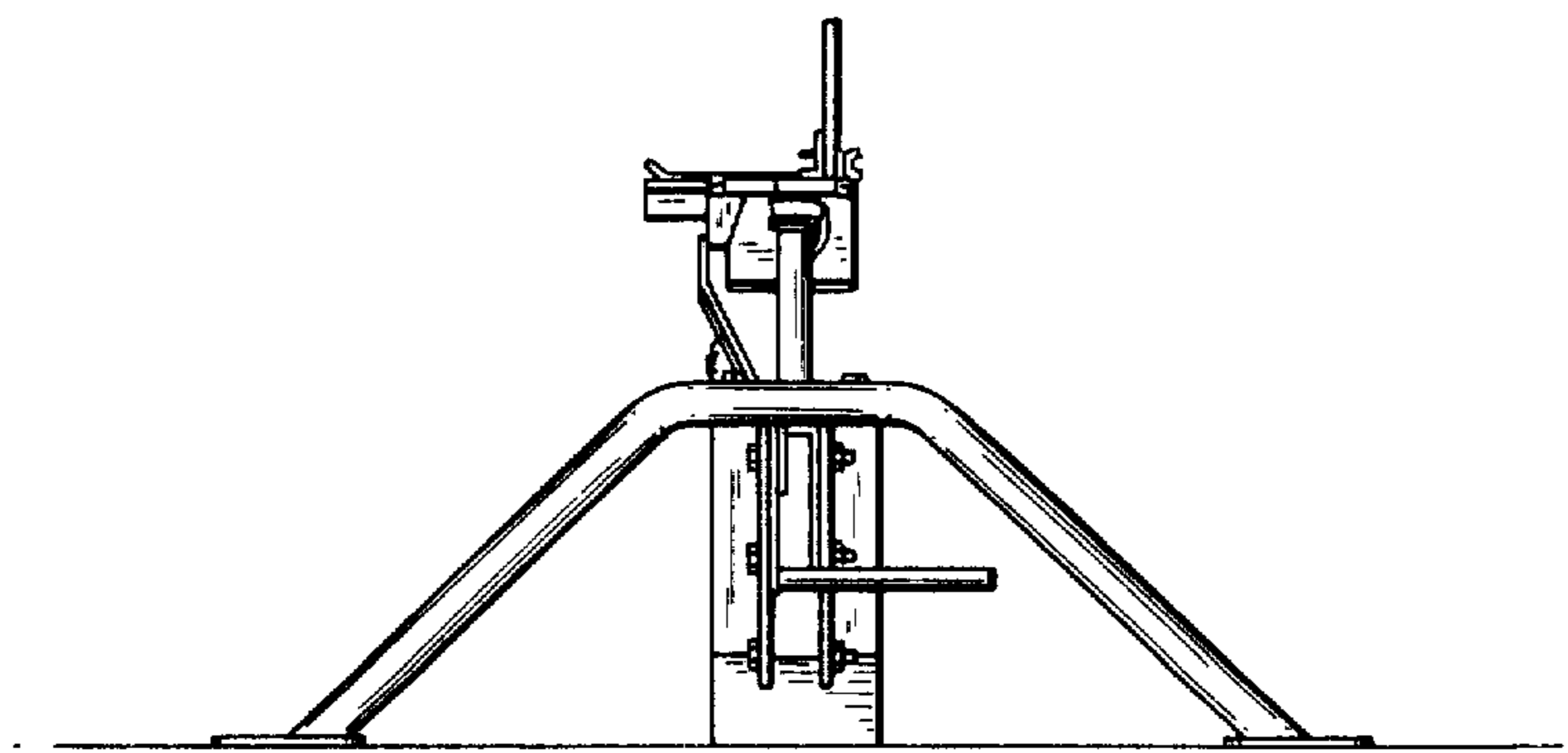


FIG. 2

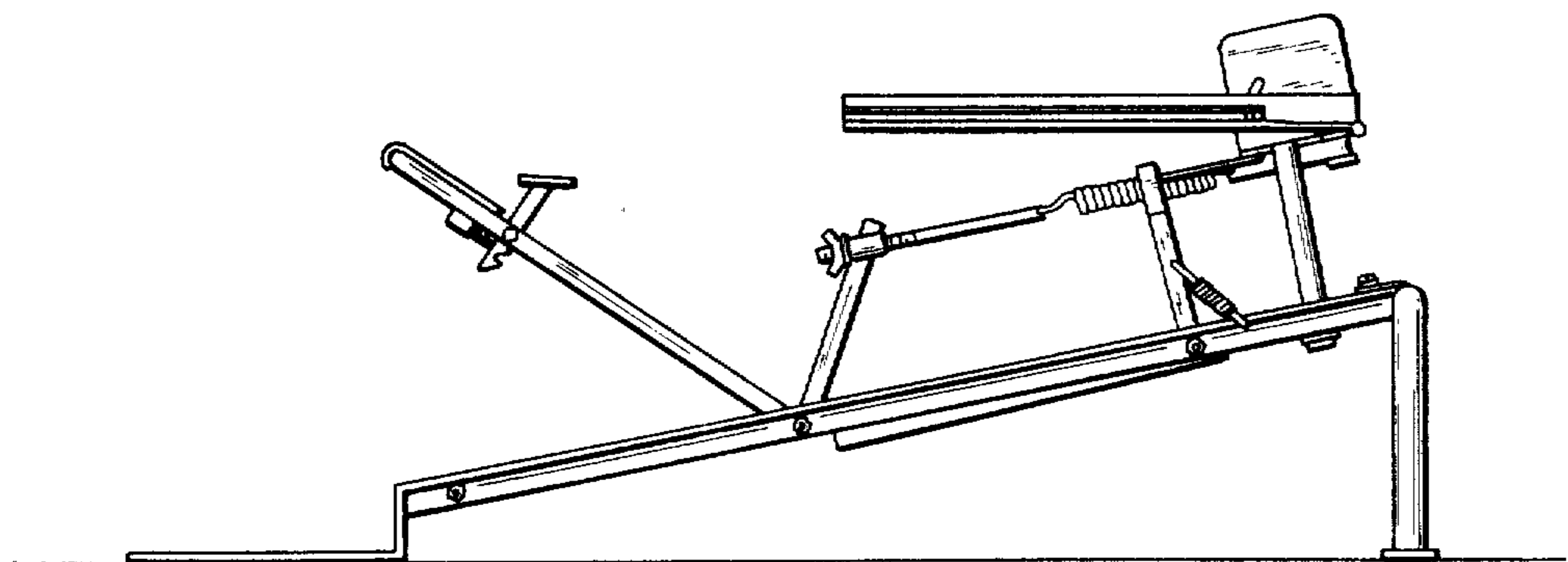


FIG. 3

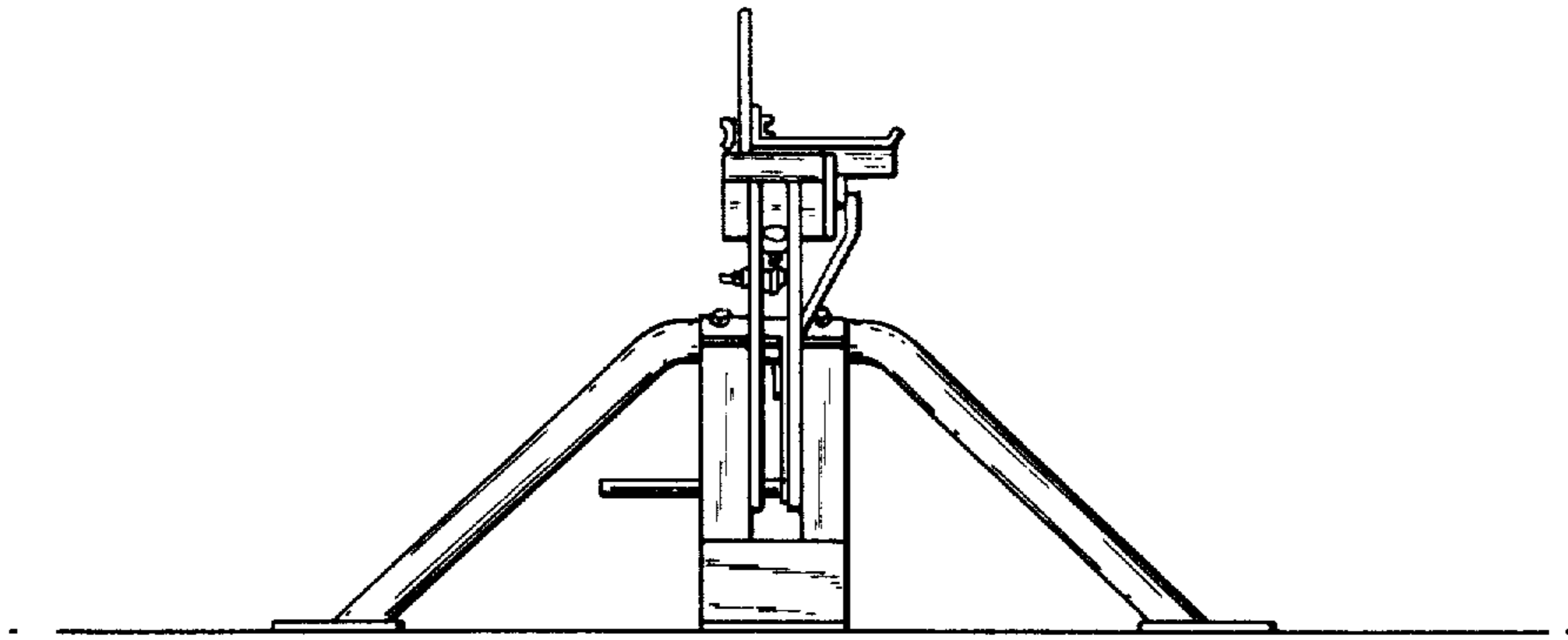


FIG. 4

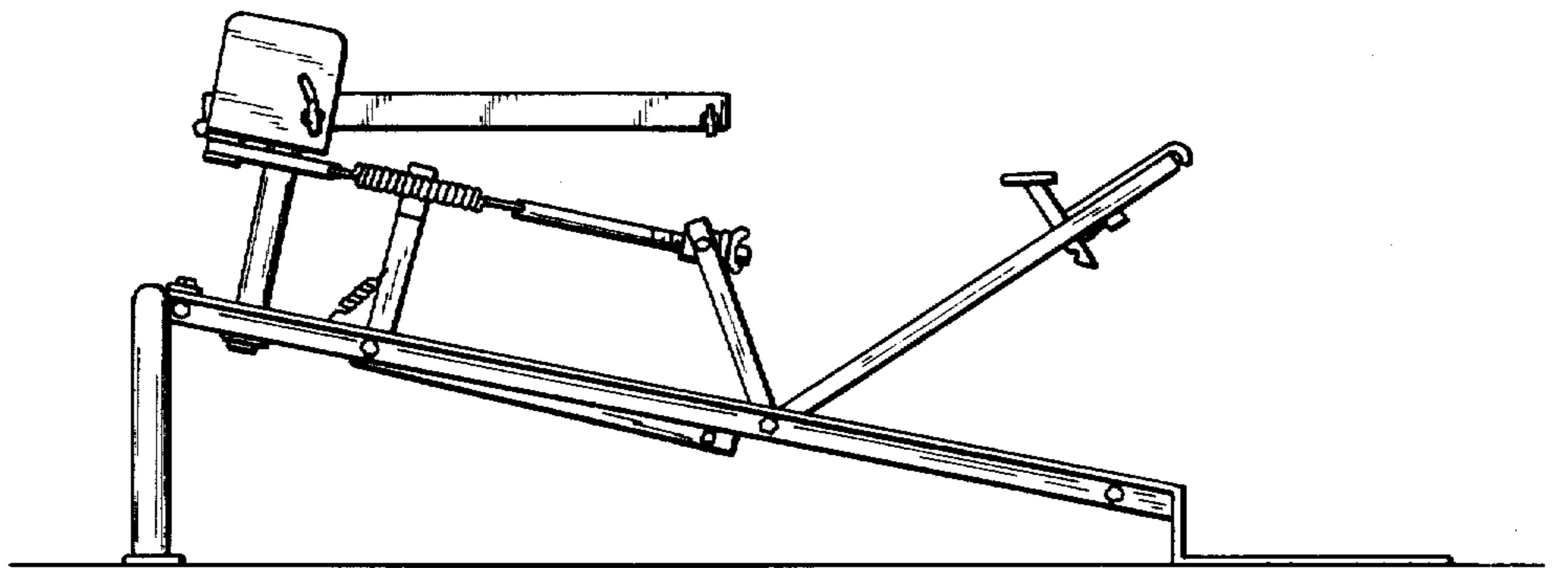


FIG. 5

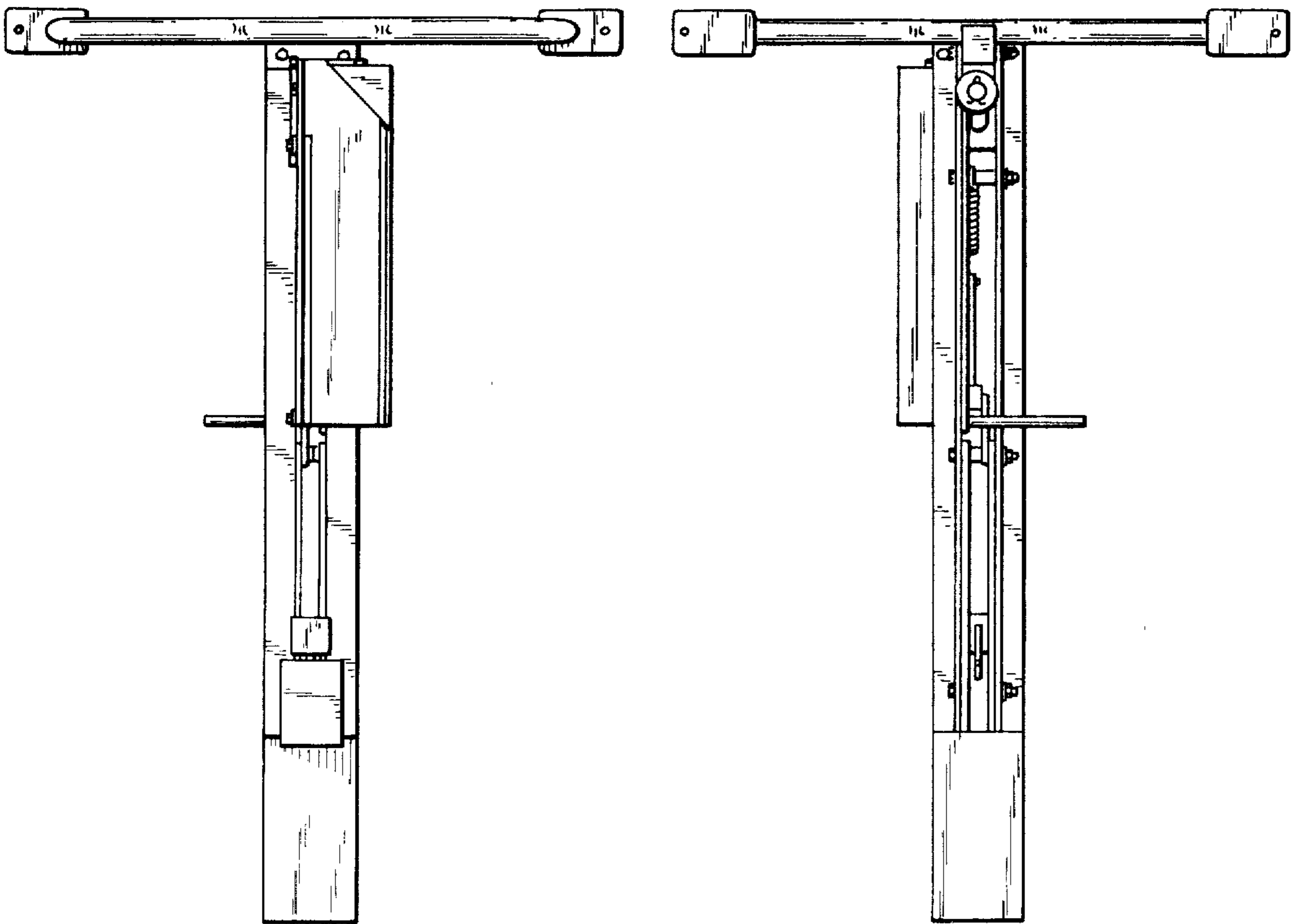


FIG. 6

FIG. 7