

[54] TOY POLICE CAR

[75] Inventor: Steven E. Hilko, East Aurora, N.Y.

[73] Assignee: The Quaker Oats Company, Chicago, Ill.

[\*\*] Term: 14 Years

[21] Appl. No.: 228,778

[22] Filed: Jan. 27, 1981

[51] Int. Cl. .... D21-01

[52] U.S. Cl. .... D21/136

[58] Field of Search ..... D21/124, 128, 132, 134, D21/135-137, 140, 76, 78, 79; 46/201, 210, 211, 212, 213, 218

[56] References Cited

U.S. PATENT DOCUMENTS

D. 138,014 6/1944 Gibson ..... D21/134

OTHER PUBLICATIONS

Road & Track, 1972-1973 Catalog, p. 31, Toy Car at top right corner of page.

Wards Xmas Catalog, 1980, p. 453, Item G, "Off-The-Road Jeep".

Primary Examiner—Charles A. Rademaker  
Attorney, Agent, or Firm—Cumpston & Shaw

[57] CLAIM

The ornamental design for a toy police car, substantially as shown and described.

DESCRIPTION

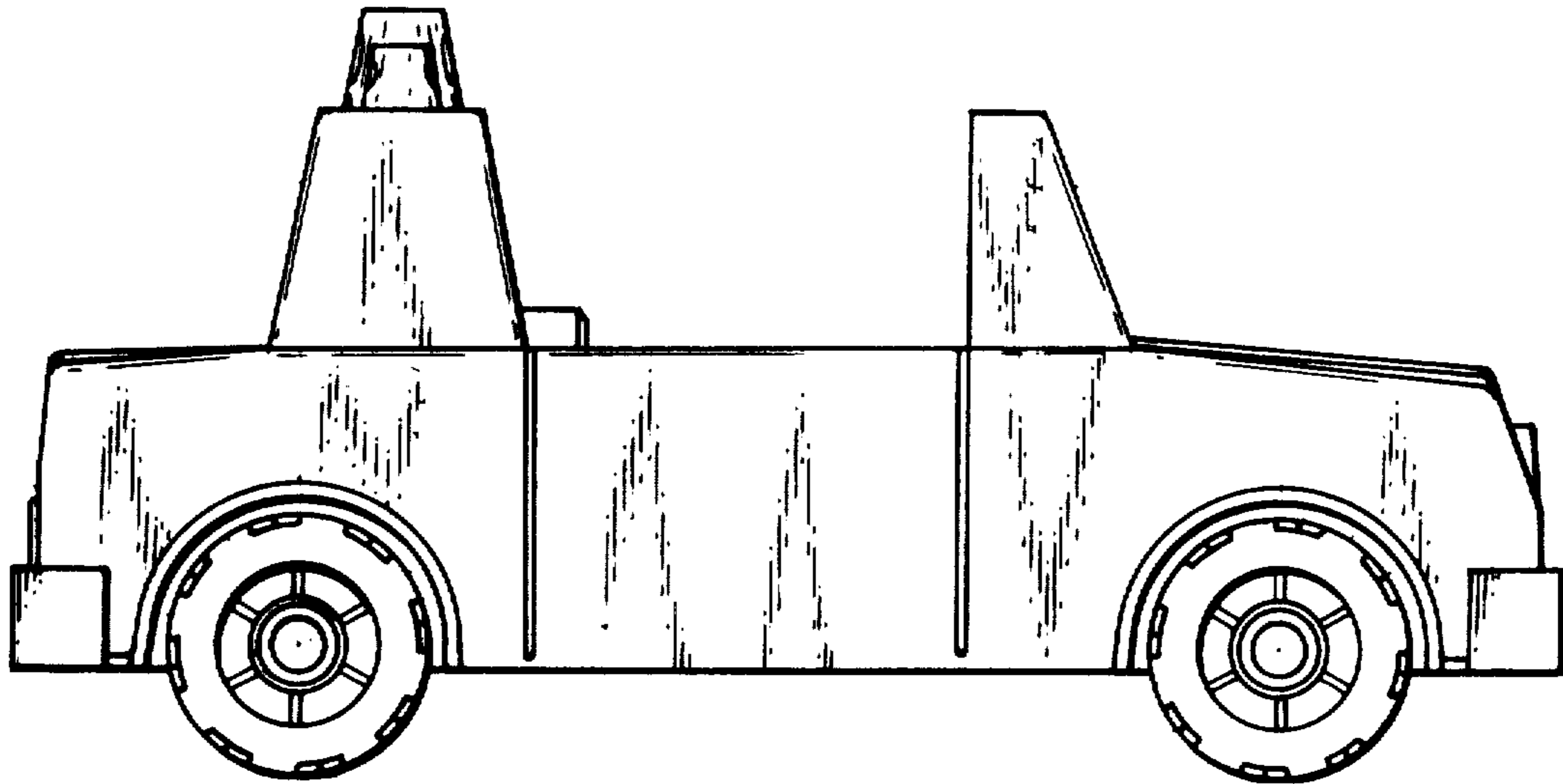
FIG. 1 is a right-side elevational view of a toy police car showing my new design, the left side being substantially a mirror image;

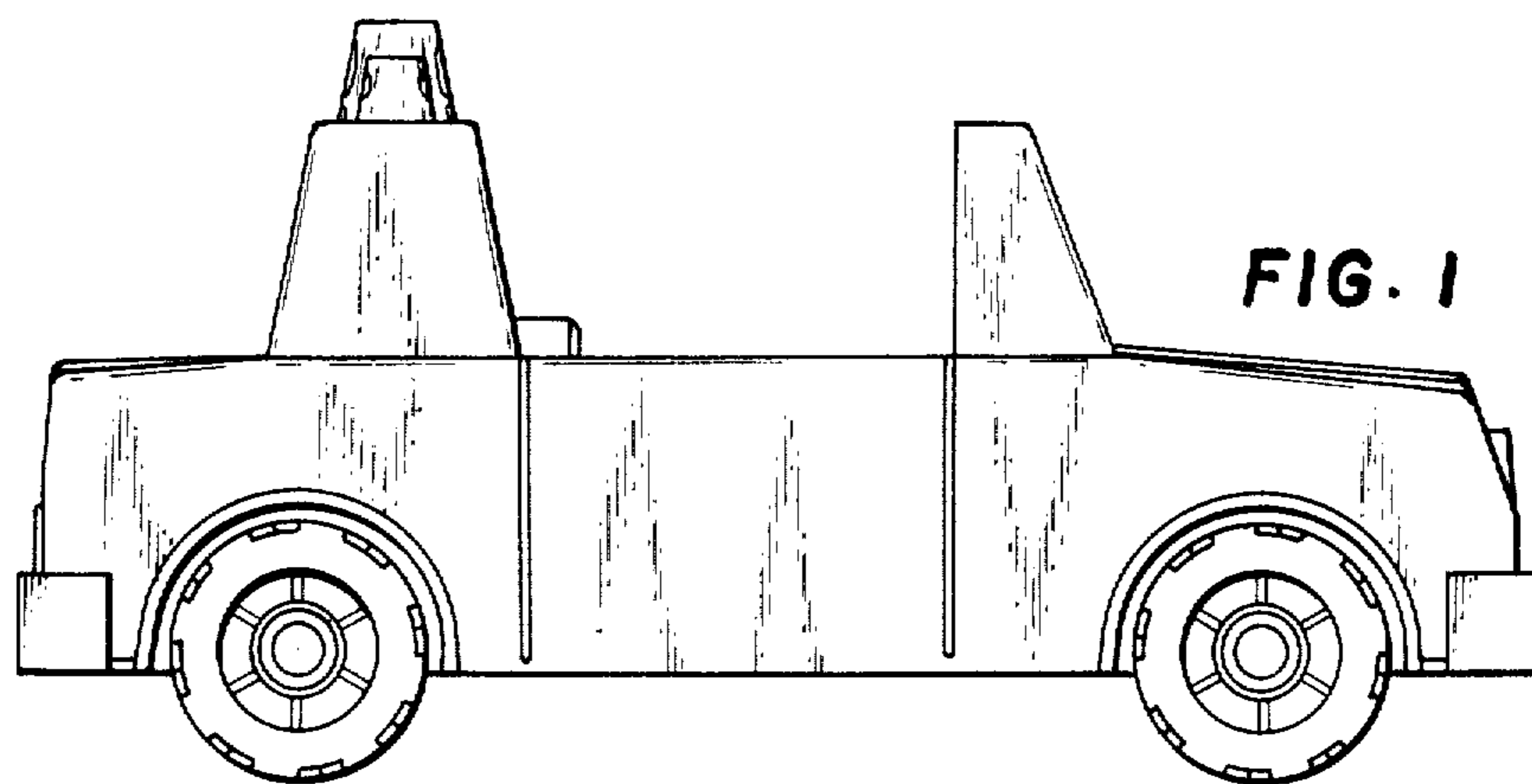
FIG. 2 is a front elevational view thereof;

FIG. 3 is a rear elevational view thereof;

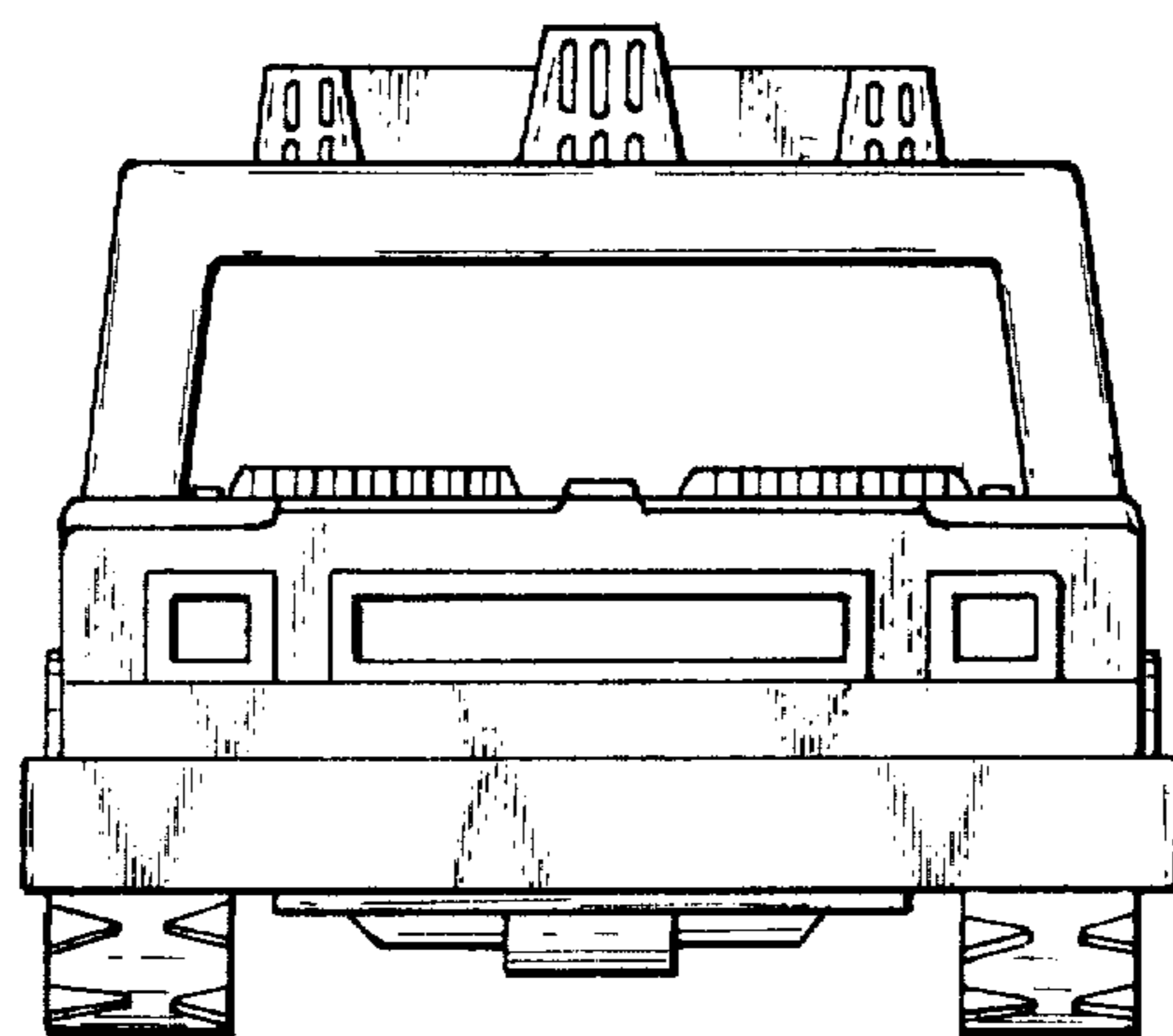
FIG. 4 is a top plan view; and

FIG. 5 is a bottom plan view thereof.

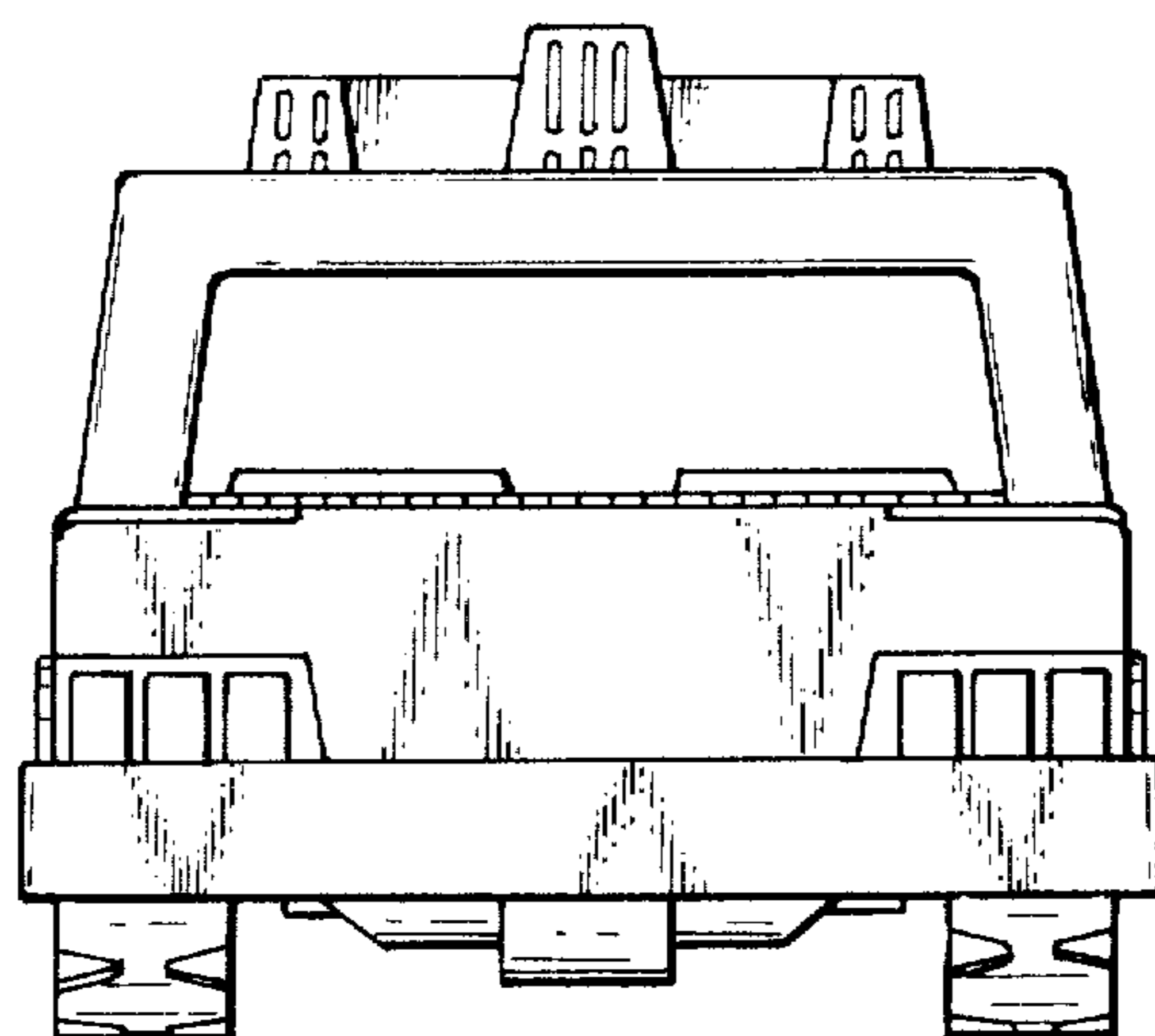




**FIG. 1**



**FIG. 2**



**FIG. 3**

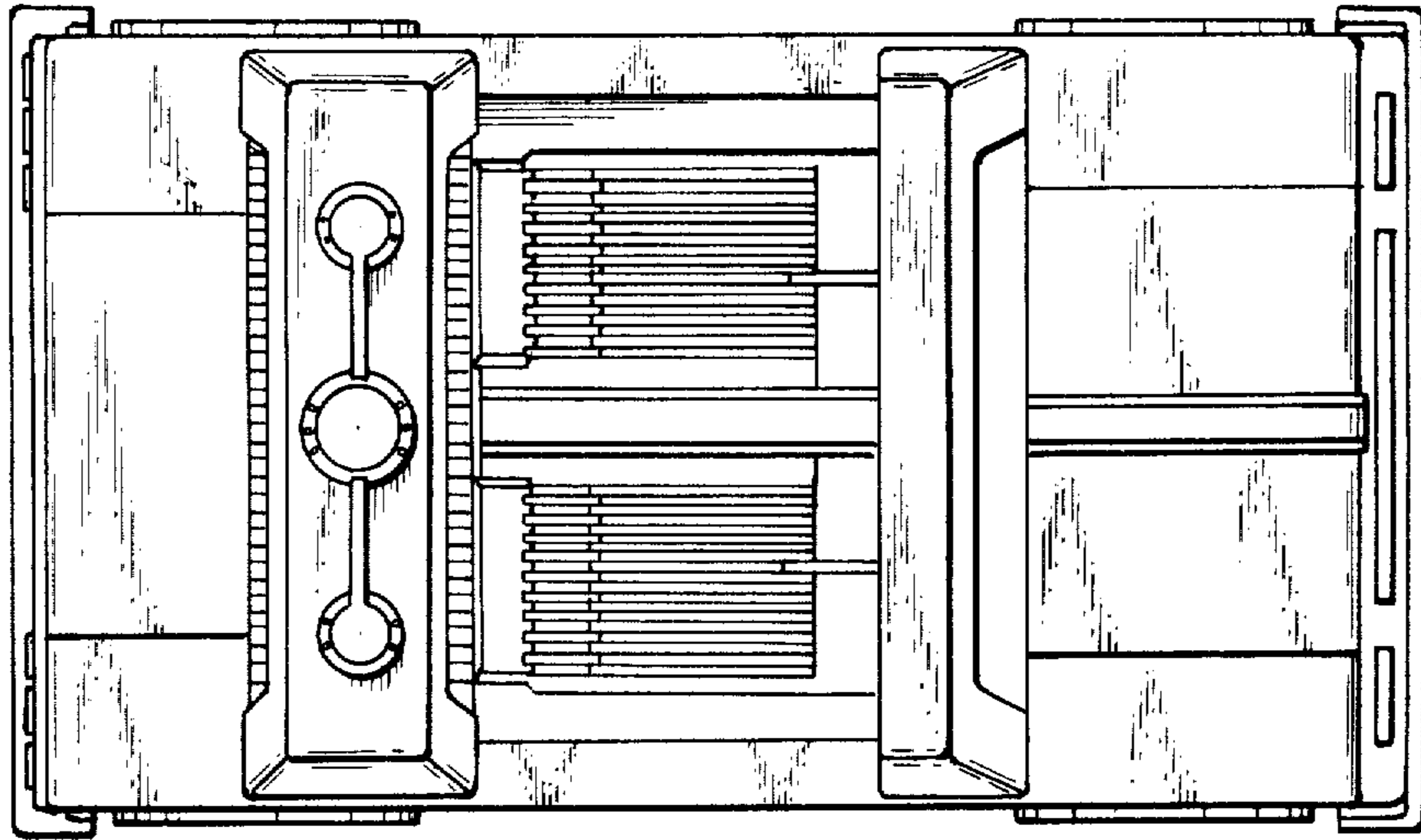


FIG. 4

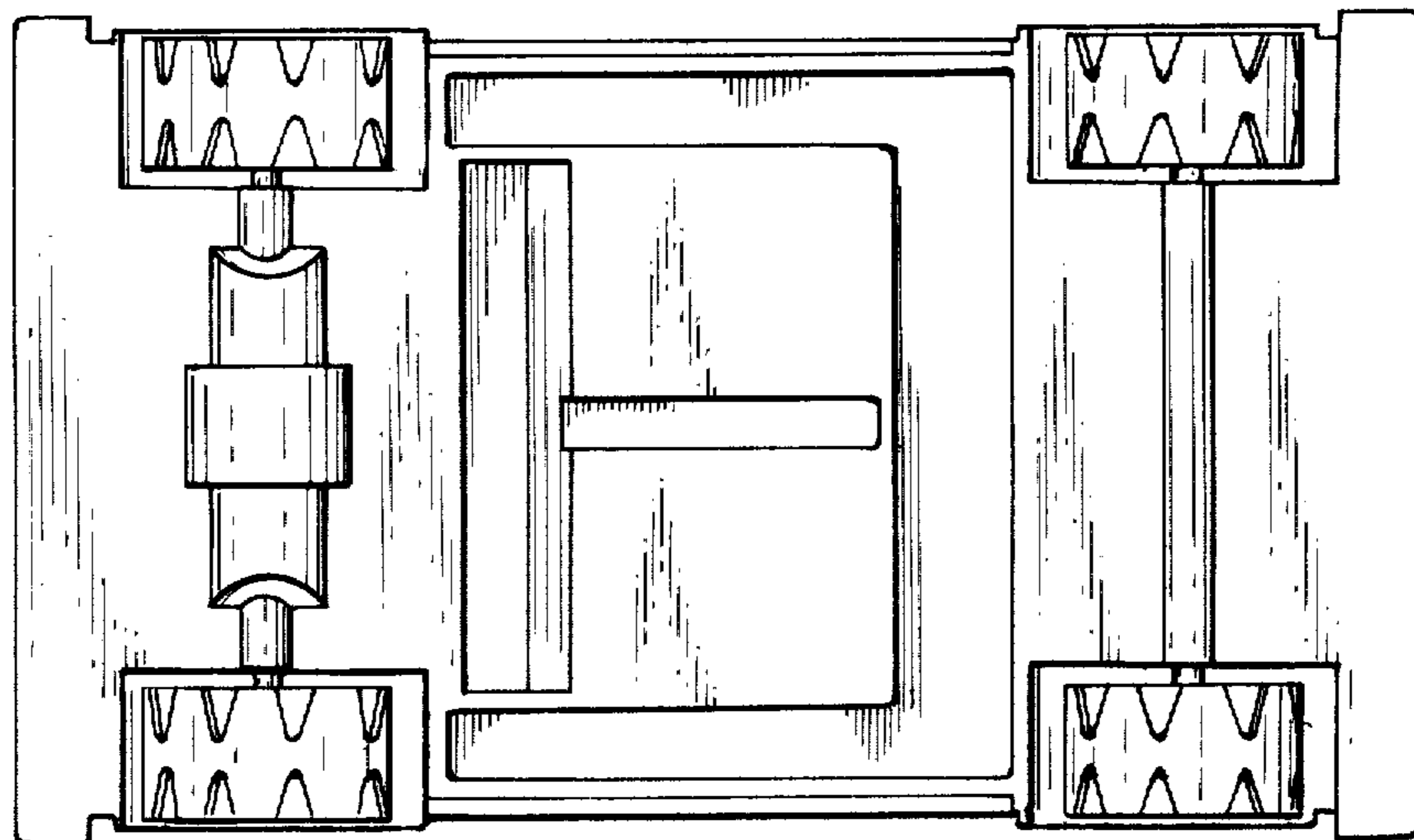


FIG. 5