

[54] **VENDING MACHINE**

[75] **Inventor: Robert D. Poirier, Milwaukie, Oreg.**

[73] **Assignee: Bulk Manufacturing Co., Inc.,
Portland, Oreg.**

[**] **Term: 14 Years**

[21] **Appl. No.: 49,239**

[22] **Filed: Jun. 18, 1979**

[51] **Int. Cl. D20—01**
[52] **U.S. Cl. D20/1**
[58] **Field of Search D20/1, 3, 4, 7, 8;
194/1 R, 2, 10, DIG. 5**

[56]

References Cited

U.S. PATENT DOCUMENTS

D. 53,876 10/1919 Bolen D20/7
D. 68,087 9/1925 Butterfield D20/3
D. 68,731 11/1925 Quintin D20/4
D. 70,117 5/1926 Jordahl D20/3
2,792,920 5/1957 Sutphen 194/DIG. 5

Primary Examiner—Nelson C. Holtje
Attorney, Agent, or Firm—Kolisich, Hartwell &
Dickinson

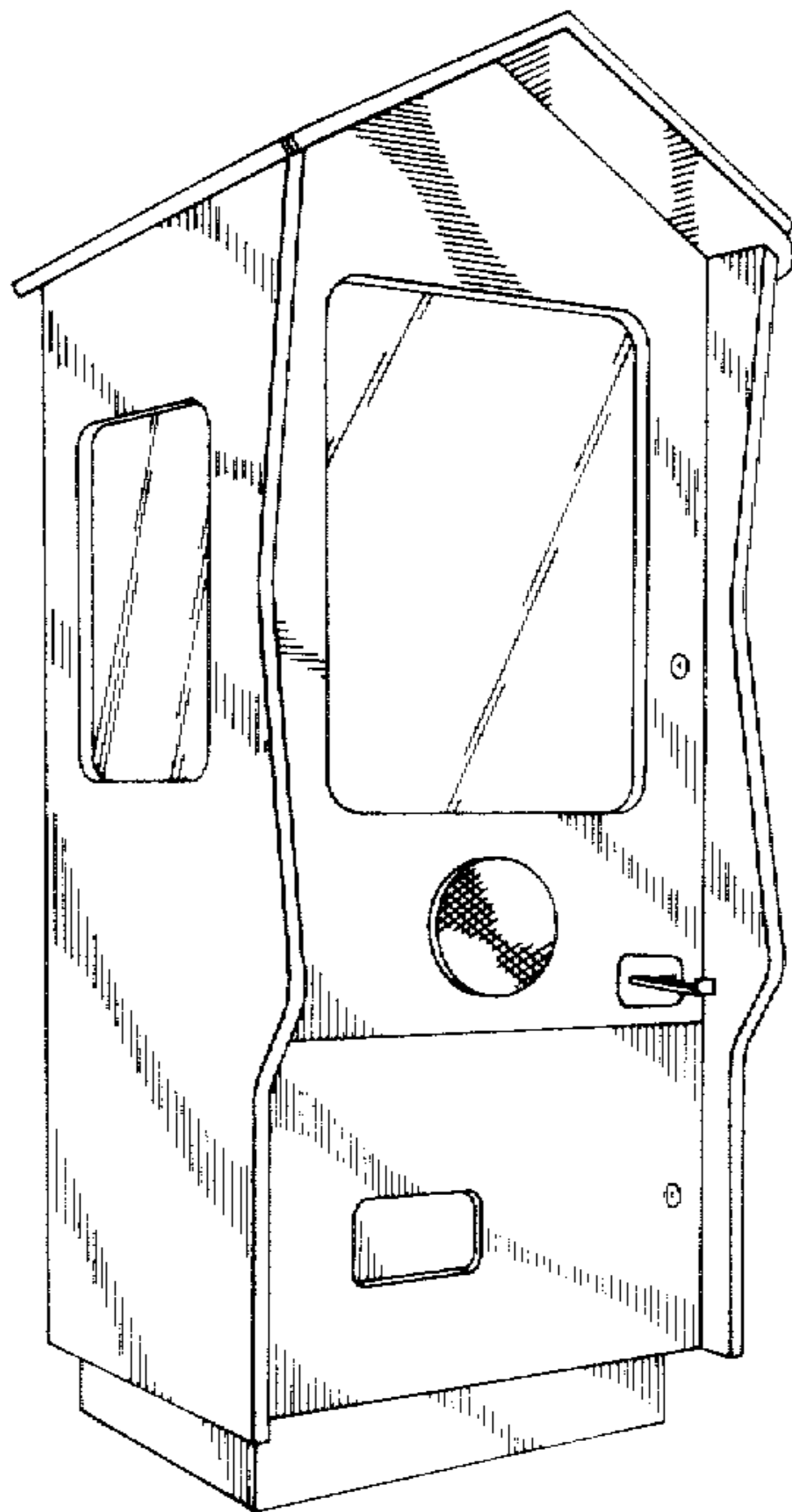
[57]

CLAIM

The ornamental design for a vending machine, as shown.

DESCRIPTION

FIG. 1 is a left front perspective view of a vending machine showing my new design; FIG. 2 is a right side elevational view thereof; and FIG. 3 is a rear elevational view thereof.



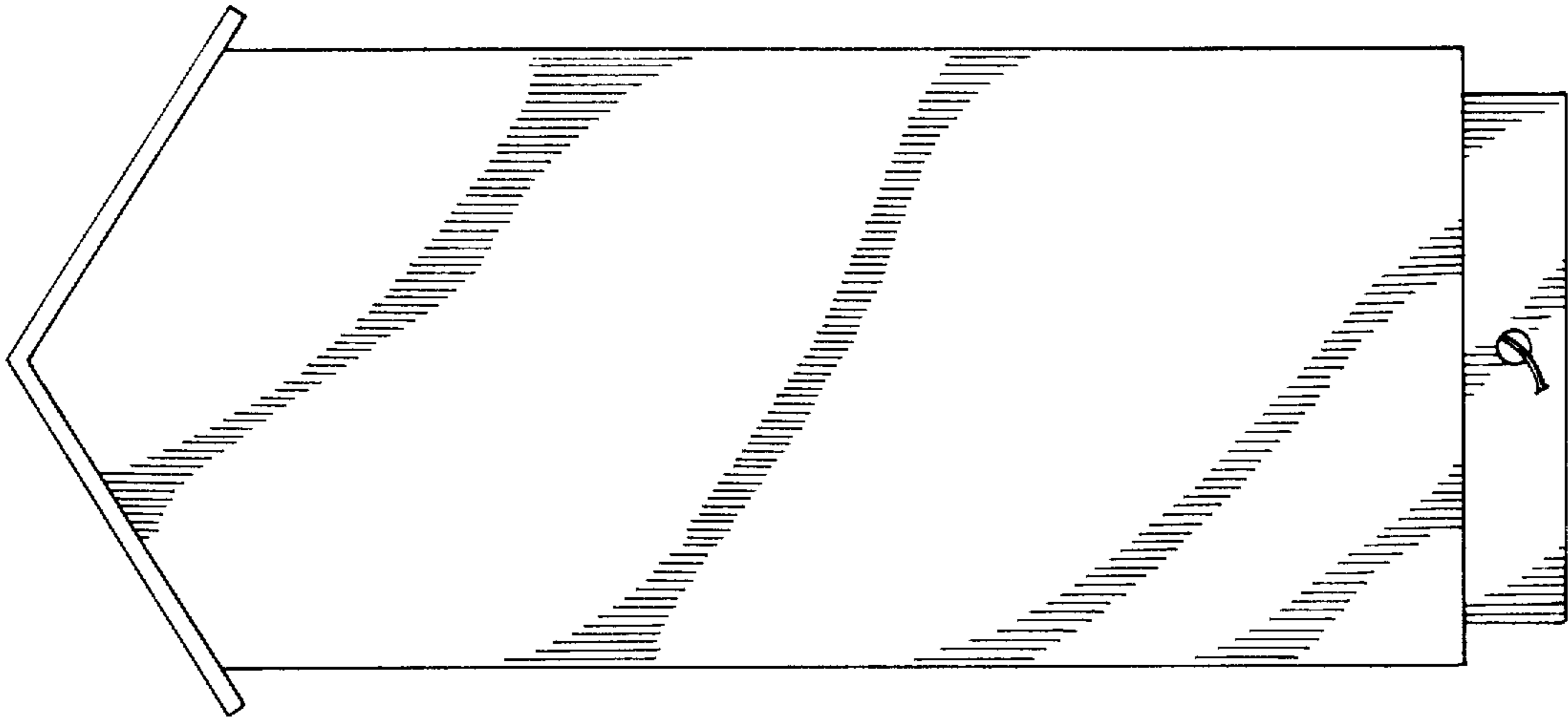


Fig. 3.

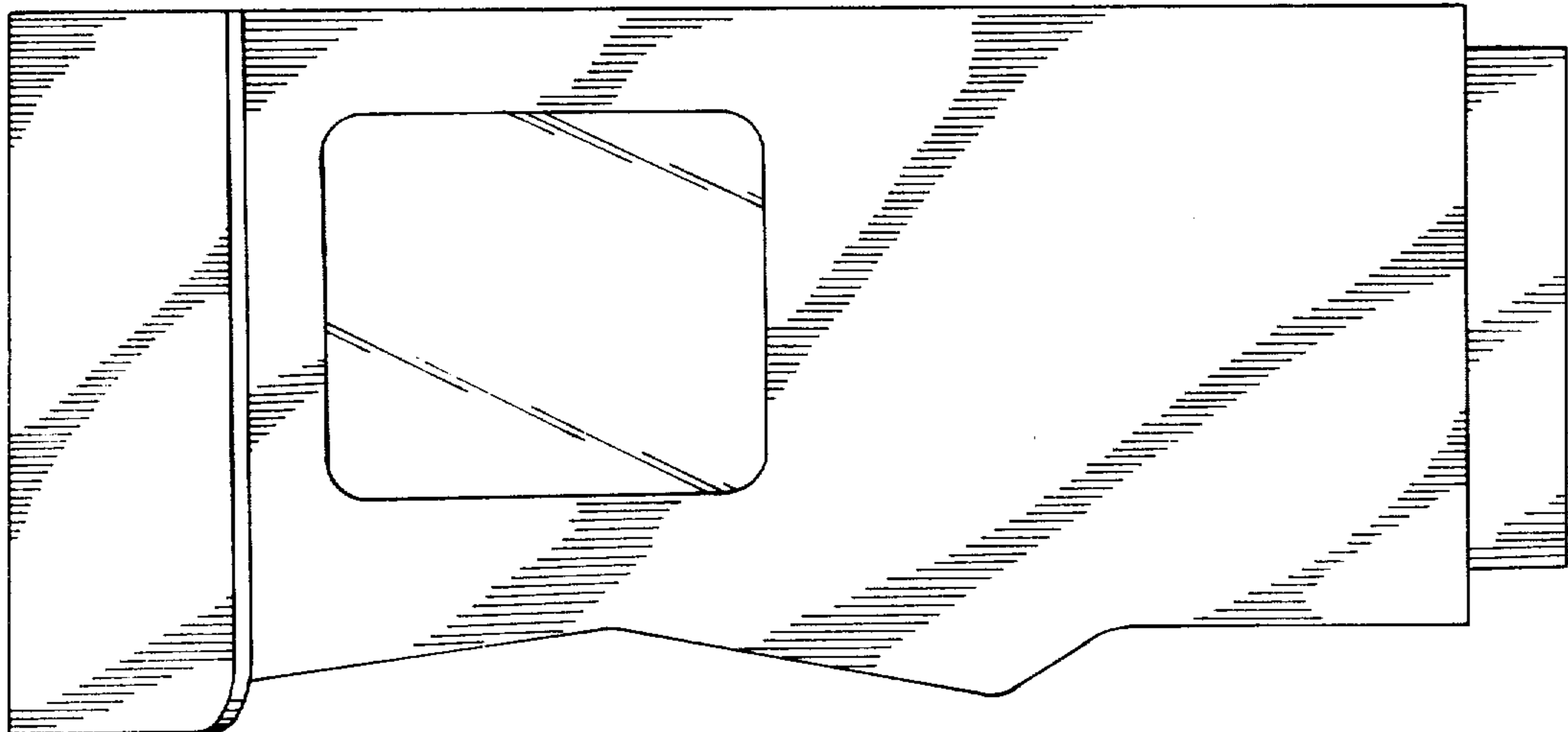


Fig. 2.

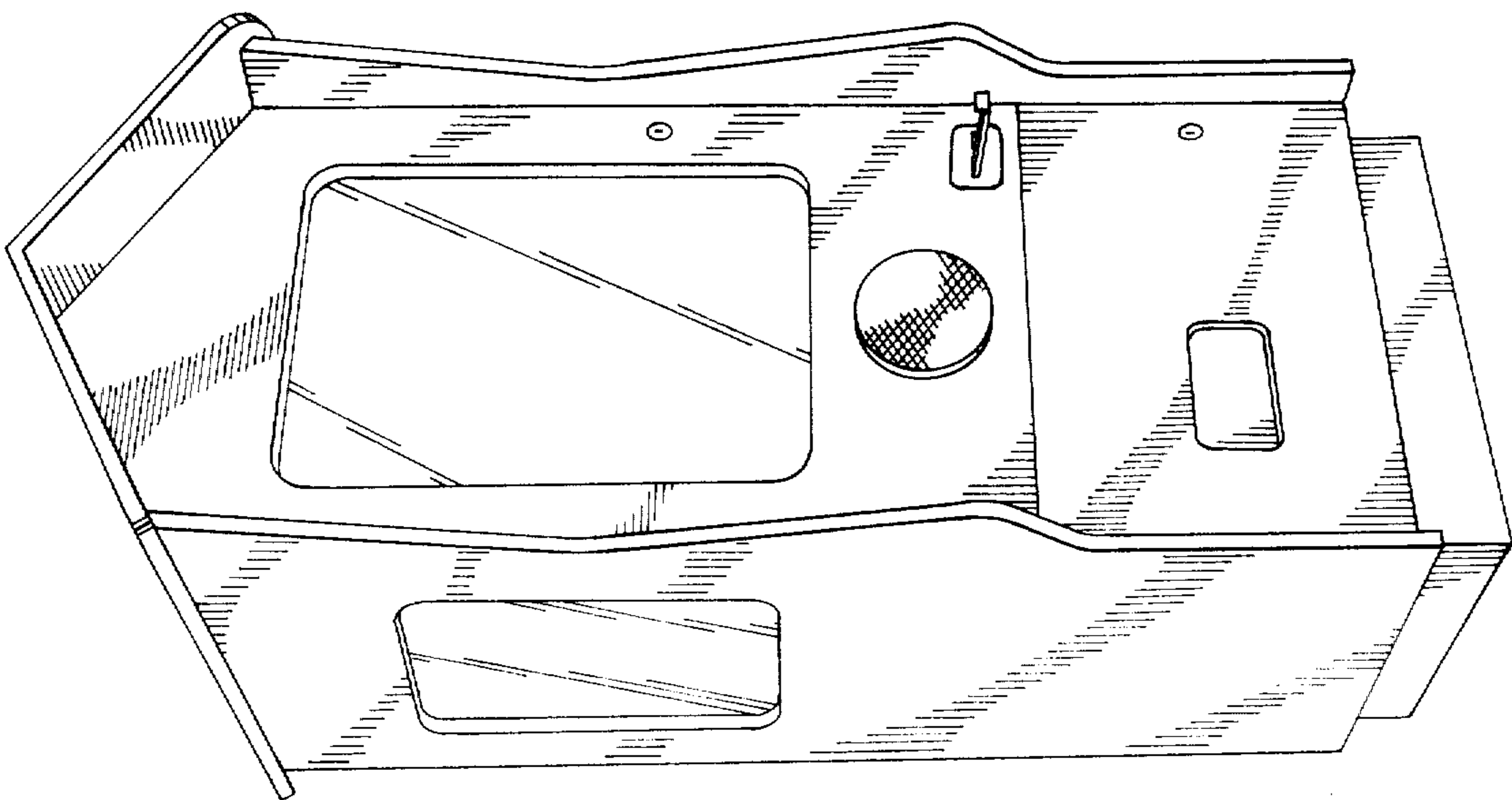


Fig. 1.