

[54] STACKING TRAY

[76] Inventor: James P. Sayers, 10534 Merriman Rd., Cupertino, Calif. 95014

[\*\*] Term: 14 Years

[21] Appl. No.: 145,329

[22] Filed: Apr. 30, 1980

[51] Int. Cl. .... D19-99  
[52] U.S. Cl. .... D19/92; D19/85  
[58] Field of Search .... D19/85, 92; D6/157, D6/188, 189, 191, 199; D99/44, 47; 108/901, 902; 206/503-509

[56] References Cited

U.S. PATENT DOCUMENTS

1,895,323	1/1933	Hauf .....	206/503
4,154,795	5/1979	Thorne .....	206/562
4,197,958	4/1980	Zeni et al. ....	206/503

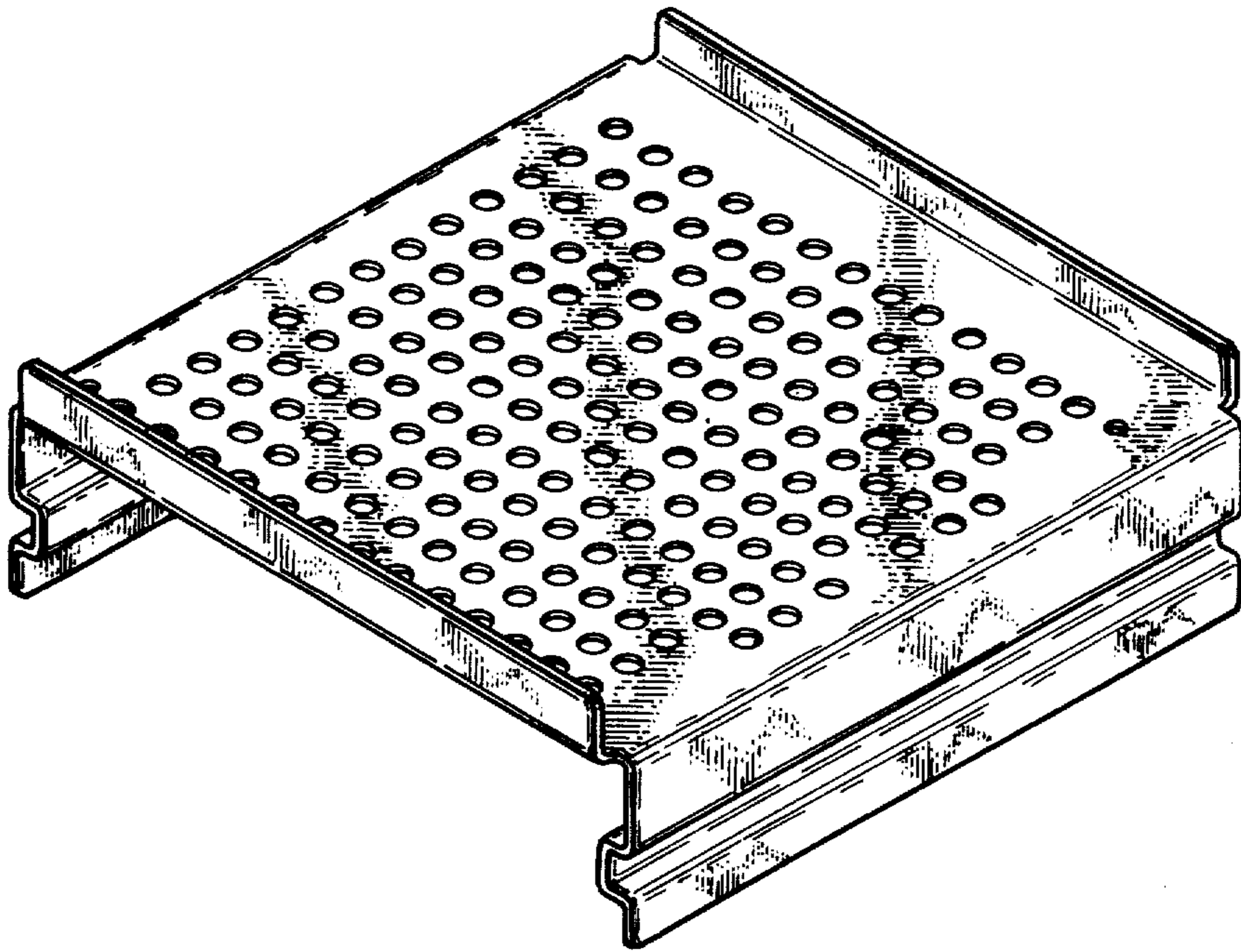
Primary Examiner—Lester L. Lee  
Attorney, Agent, or Firm—Thomas E. Schatzel

[57] CLAIM

The ornamental design for a stacking tray, as shown and described.

DESCRIPTION

FIG. 1 is a perspective view of the stacking tray showing my new design;  
FIG. 2 is a top plan view thereof;  
FIG. 3 is a bottom plan view thereof; and  
FIG. 4 is a side elevational view thereof, the opposite side elevational view being a mirror image thereof.



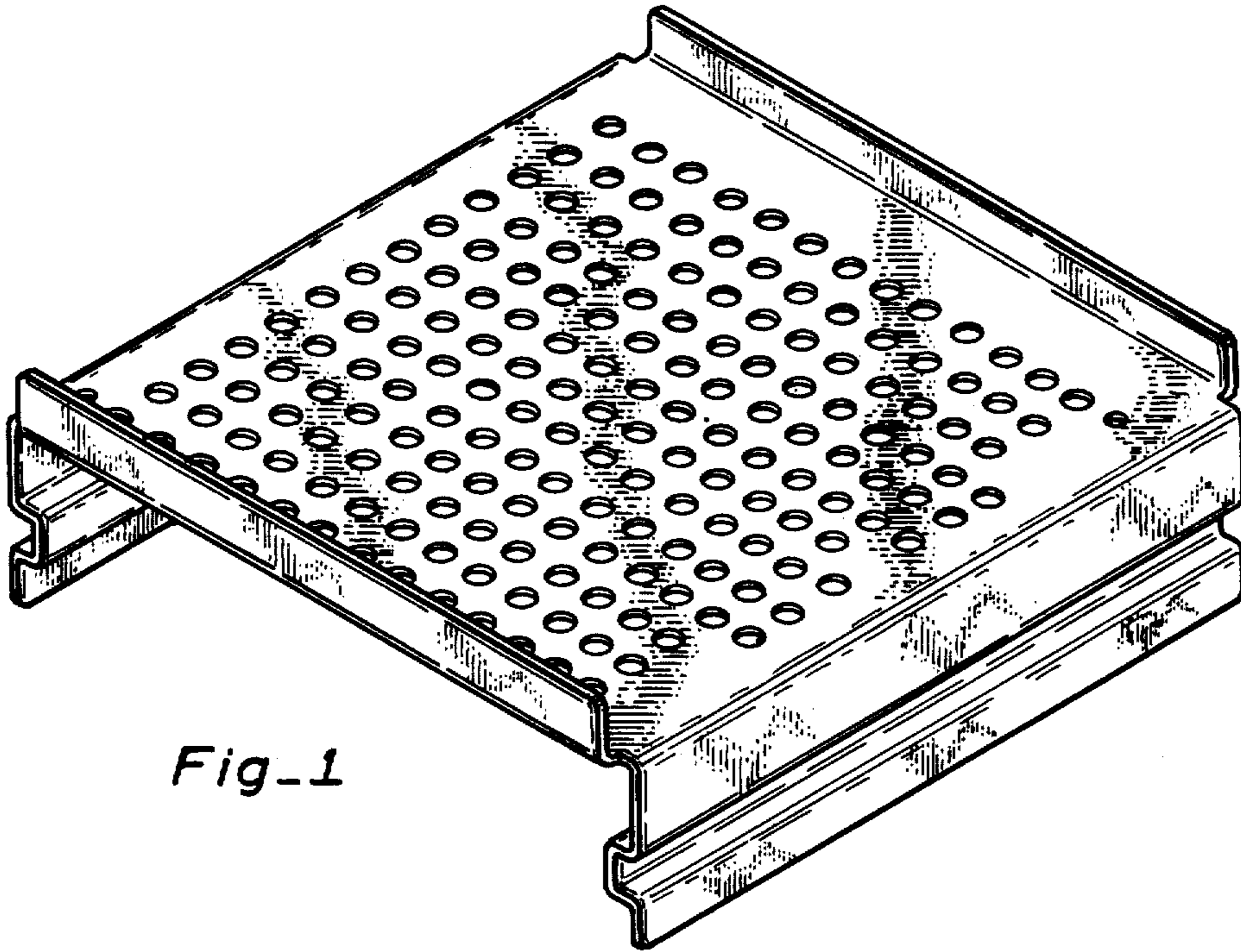


Fig-1

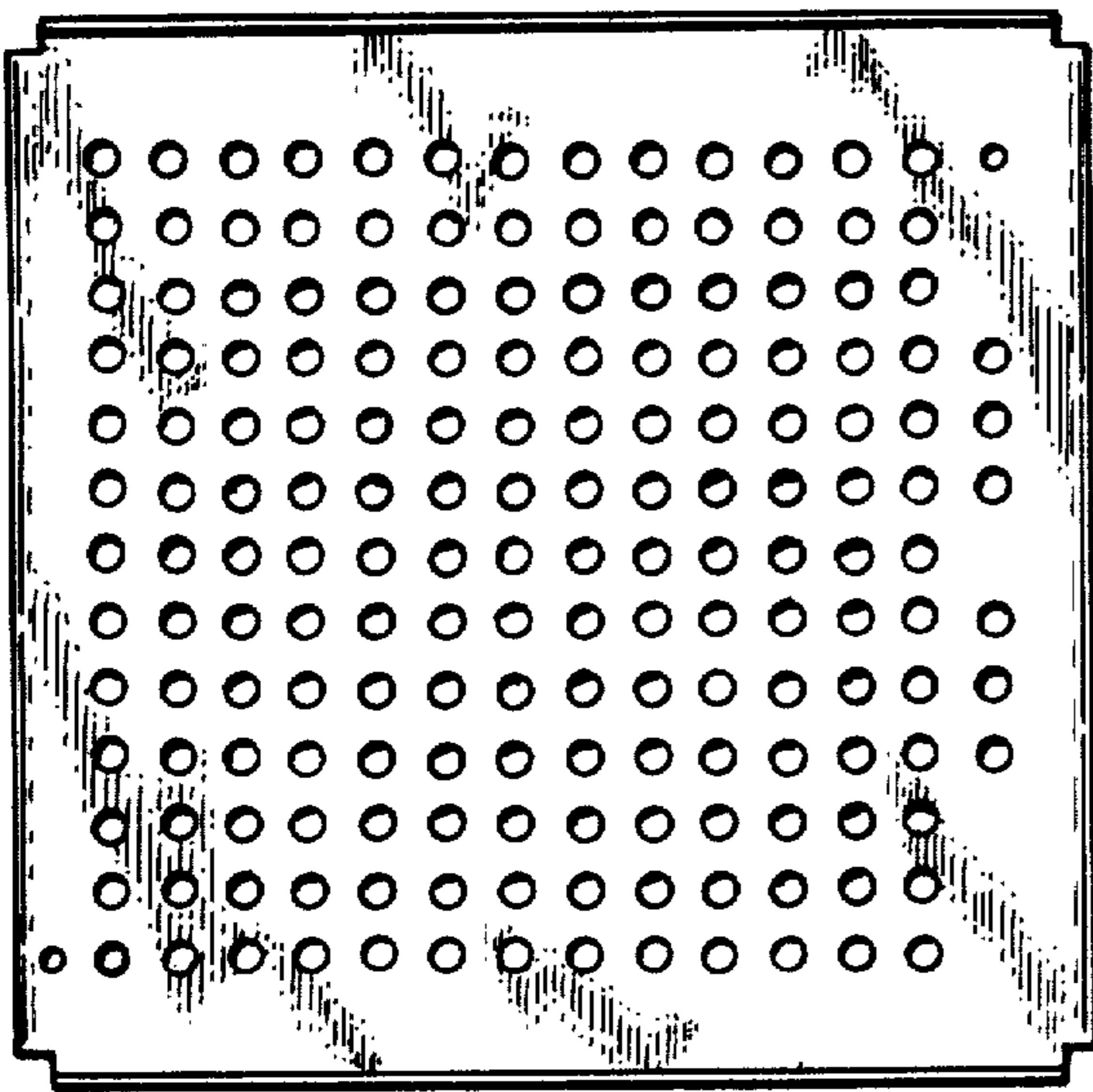


Fig-2

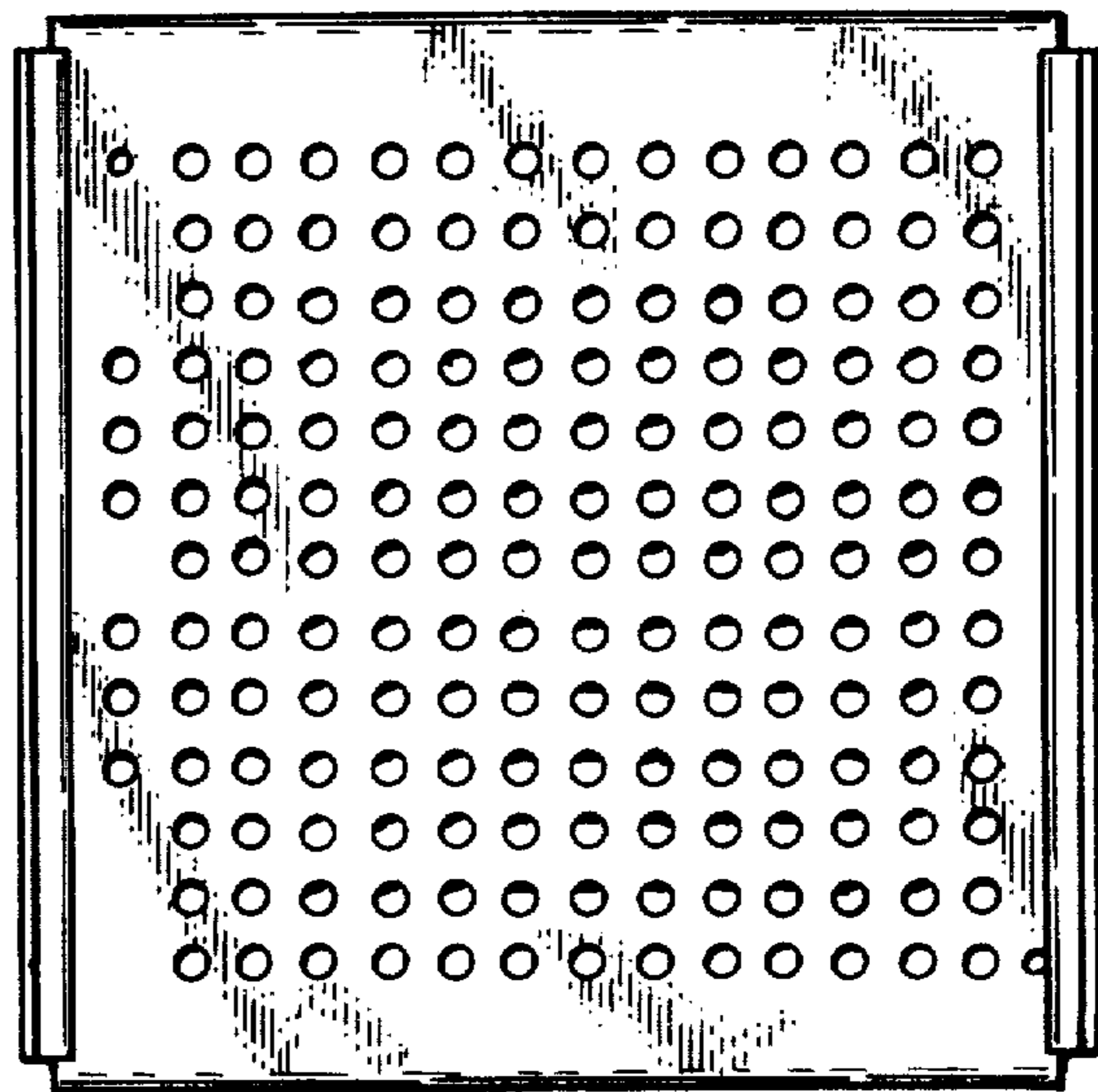


Fig-3

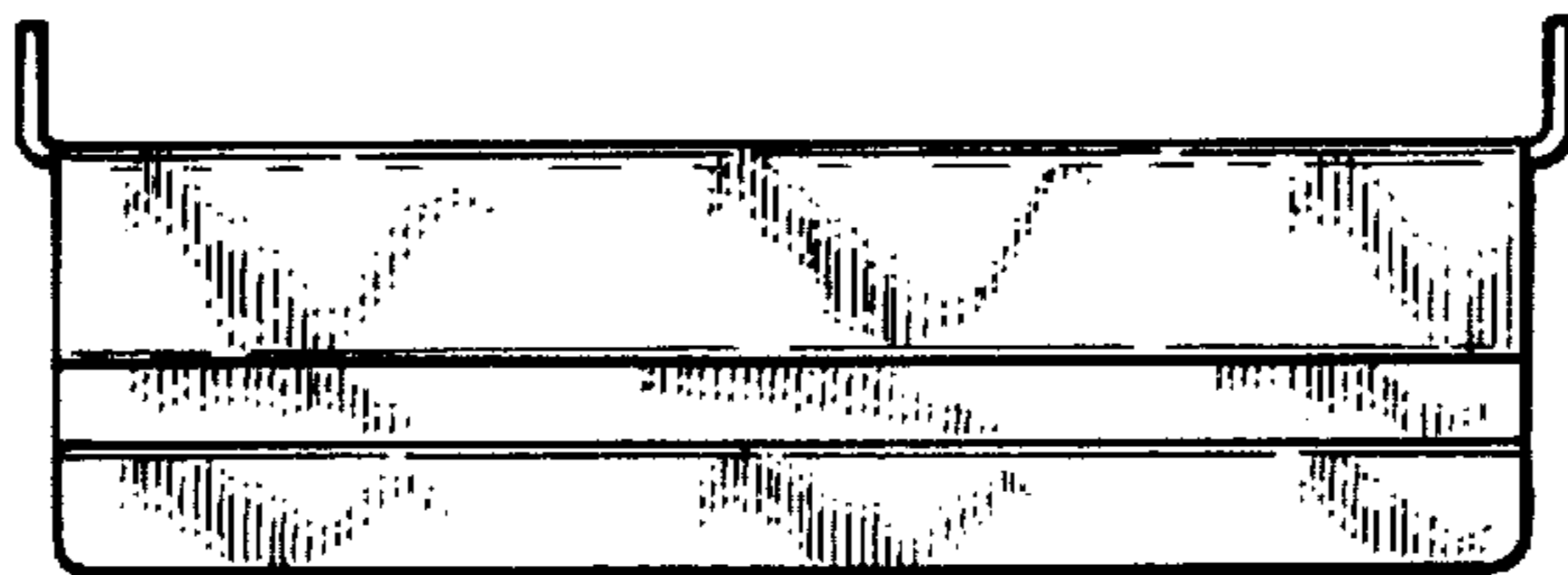


Fig-4