

[54] PLANER

[75] Inventor: Peter Lawson, Campinas, Brazil

[73] Assignee: Rockwell Do Brasil Industria E. Comercio Ltda., Brazil

[\*\*] Term: 14 Years

[21] Appl. No.: 95,864

[22] Filed: Nov. 19, 1979

[30] Foreign Application Priority Data  
May 21, 1979 [BR] Brazil ..... MI 3900357

[51] Int. Cl. .... D15-09

[52] U.S. Cl. .... D15/127

[58] Field of Search ..... D15/127; 144/114 R

[56] References Cited

U.S. PATENT DOCUMENTS

- D. 143,178 12/1945 Yager ..... D15/127
- D. 156,645 12/1949 Marisseau et al. .... D15/127
- D. 246,846 6/1978 Dahlin et al. .... D15/127
- 2,792,036 5/1957 Buttke ..... 144/114 R

Primary Examiner—B. J. Bullock

[57] CLAIM

The ornamental design for a planer, as shown and described.

DESCRIPTION

FIG. 1 is a front perspective view of a planer showing my new design;

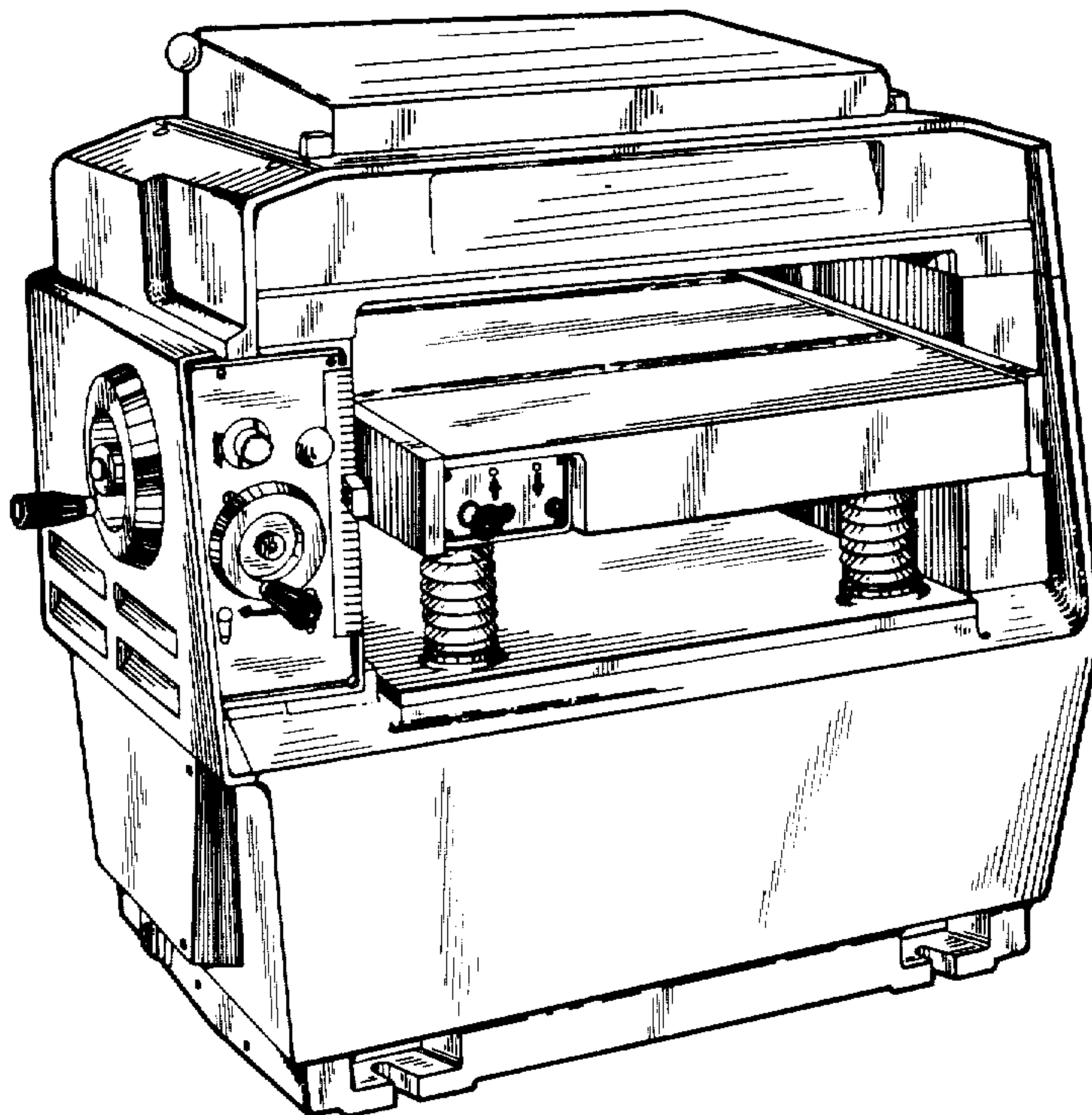
FIG. 2 is a front elevational view thereof;

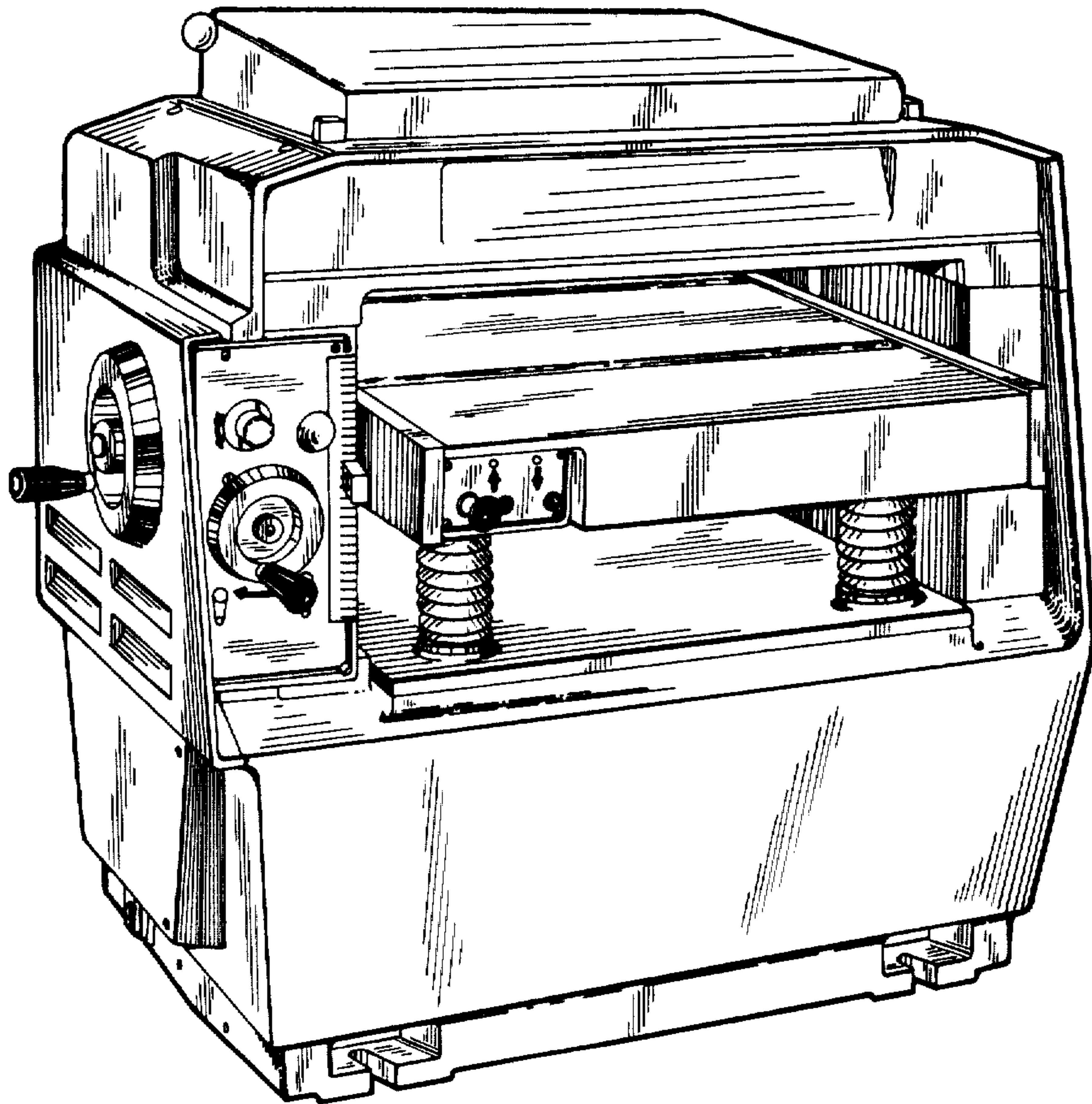
FIG. 3 is a side elevational view taken from the left of FIG. 1;

FIG. 4 is a rear elevational view thereof; and

FIG. 5 is a side elevational view taken from the right of FIG. 1.

The bottom is unornamented.





**FIG. 1**

Fig. 2.

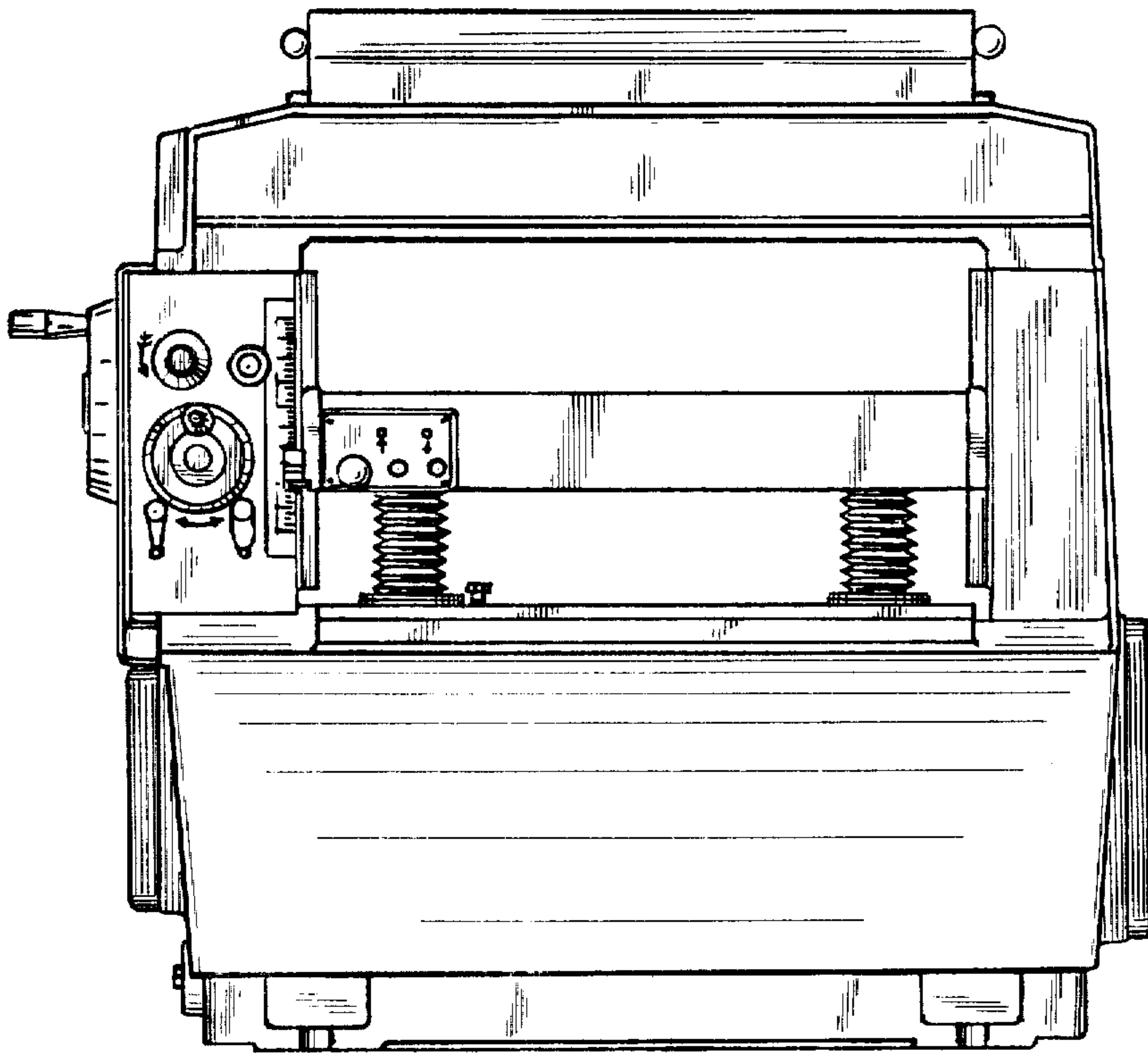


Fig. 3.

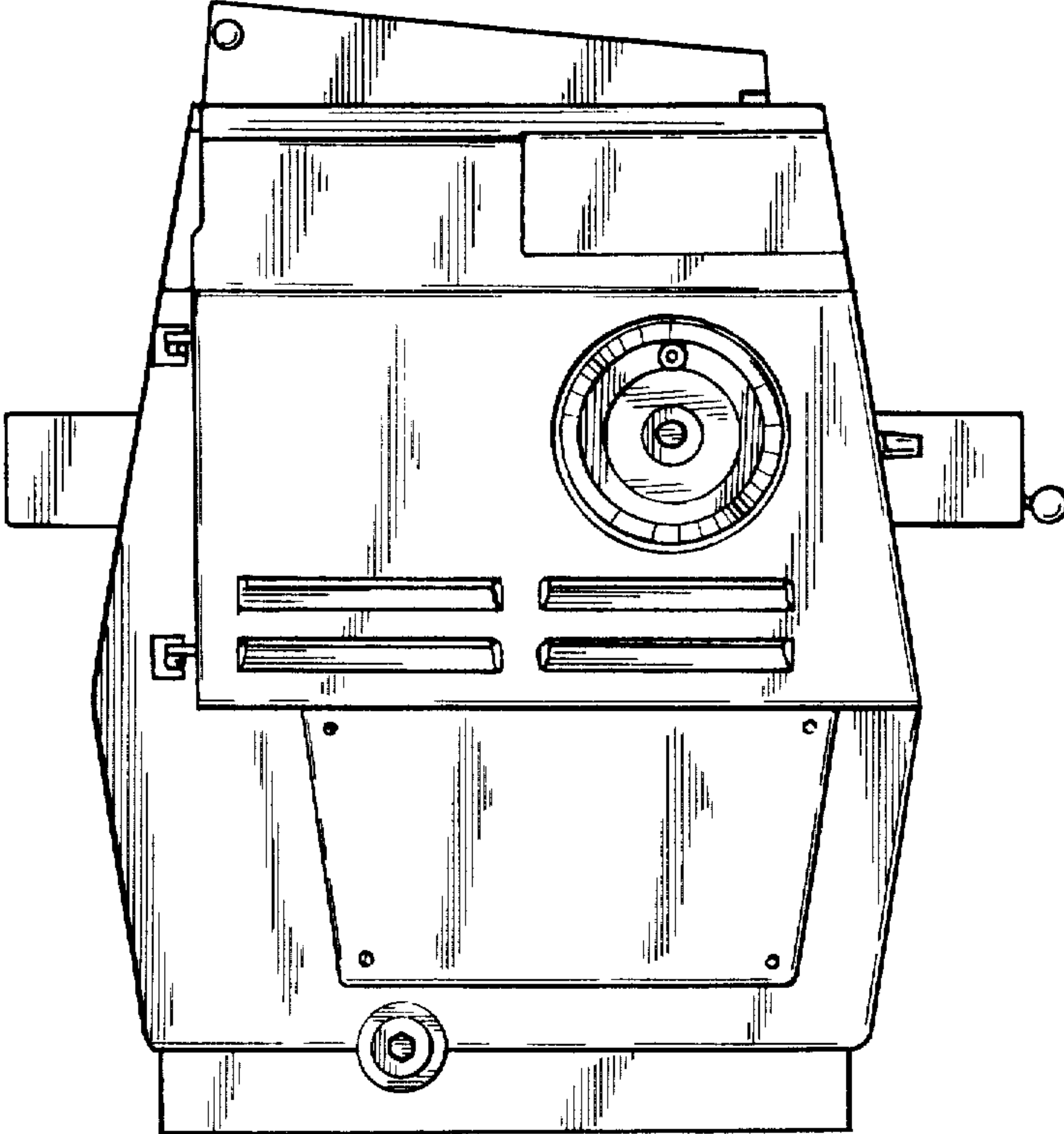


Fig. 4.

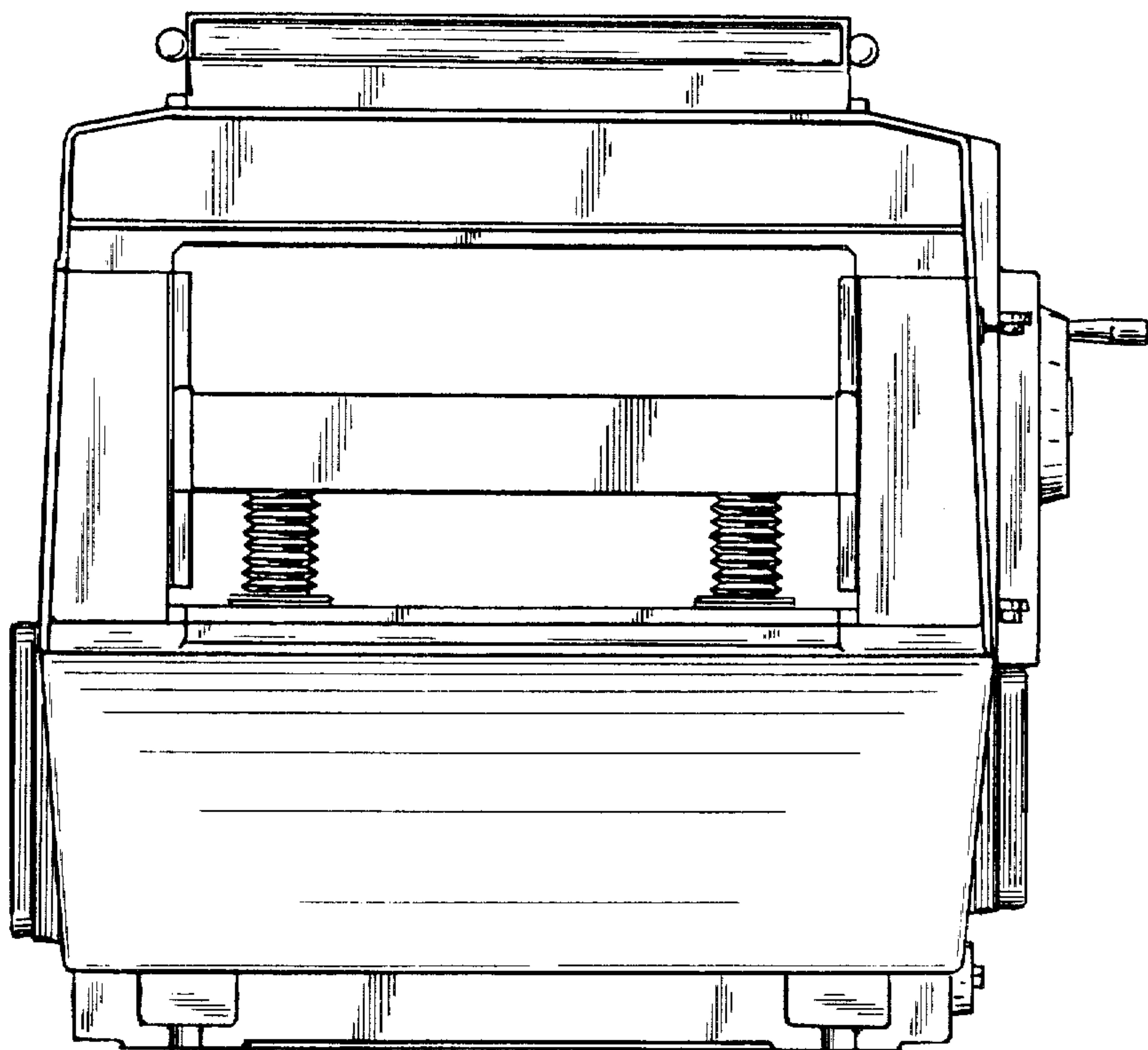


Fig. 5.

