

[54] SELF-PROPELLED TRENCHING MACHINE

3,911,602 10/1975 Trevathan ..... 37/86

[75] Inventor: Charles A. Clune, Minster, Ohio

[73] Assignee: Midmark Corporation, Minster, Ohio

[\*\*] Term: 14 Years

[21] Appl. No.: 129,522

[22] Filed: Mar. 12, 1980

[51] Int. Cl. .... D15-04

[52] U.S. Cl. .... D15/21; D15/22

[58] Field of Search ..... D15/21, 22; 37/86, 191 A, 37/192 A

[56] References Cited

U.S. PATENT DOCUMENTS

2,874,793	2/1959	Wagner	180/161
3,006,427	10/1961	Van Der Lely	180/161
3,266,179	8/1966	Golden	37/86
3,533,311	10/1970	Allds et al.	37/191 A
3,750,762	8/1973	Eaton	37/86
3,754,341	8/1973	Caldwell et al.	37/191 A
3,788,415	1/1974	Tilley	180/161
3,834,049	9/1974	Bond	37/191 A

OTHER PUBLICATIONS

"Model 1500 Trencher", The Charles Machine Works, Inc. May 1978.

"Davis Trimline 120", J. I. Case, 1977.

Bulletin T2/320, "Arps Model 2000 Trench Devil", Arps Corp.

"Ditch Witch C & M", Charles Machine Works, Inc.

Primary Examiner—T. Tung

Attorney, Agent, or Firm—Biebel, French & Nauman

[57] CLAIM

The ornamental design for a self-propelled trenching machine, substantially as shown and described.

DESCRIPTION

FIG. 1 is a perspective view from the left front side of the self-propelled trenching machine showing my new design;

FIG. 2 is a left side view thereof;

FIG. 3 is a right side view thereof;

FIG. 4 is a top view thereof;

FIG. 5 is a front view thereof; and

FIG. 6 is a rear view thereof.

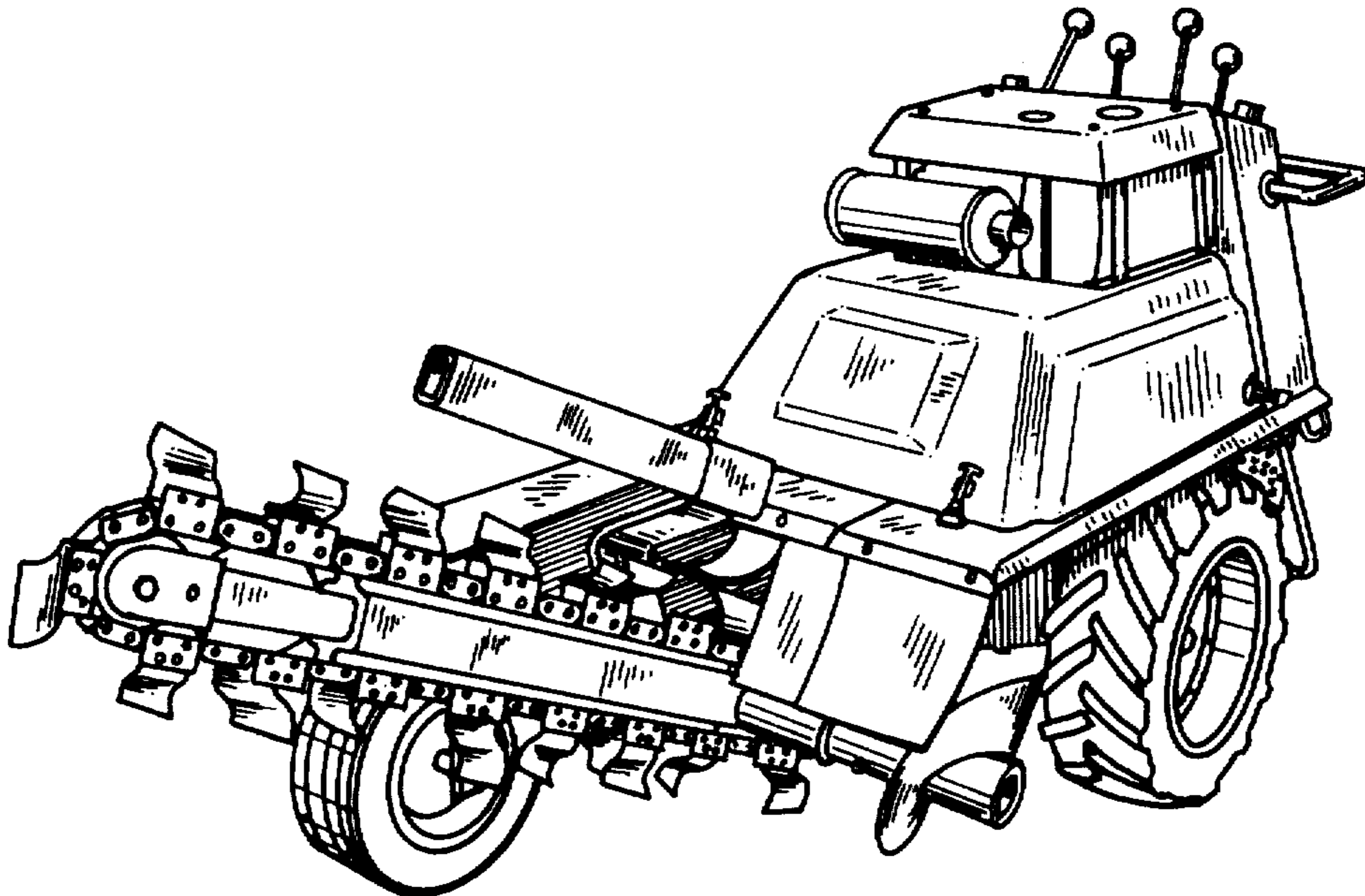


FIG-1

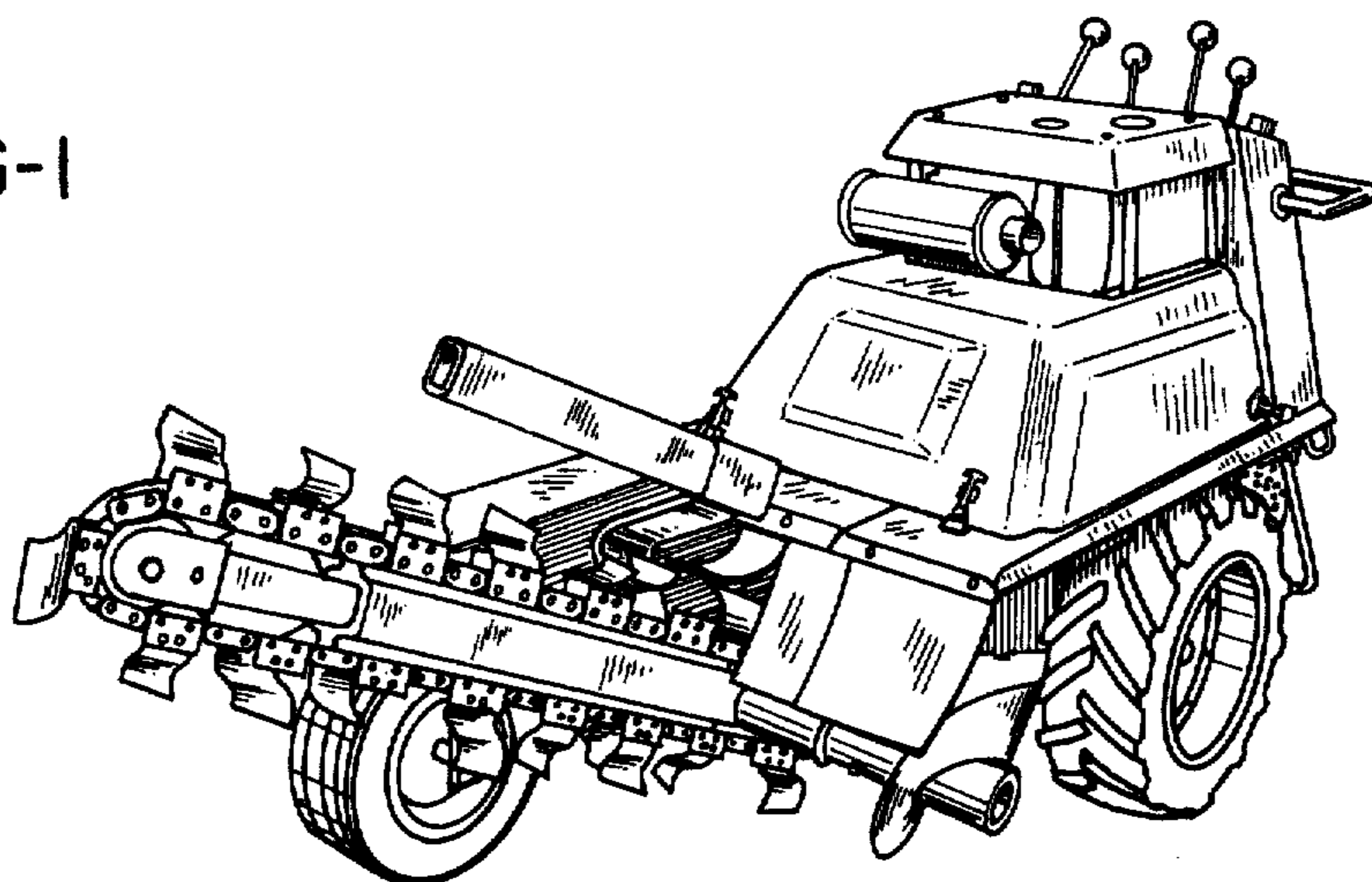


FIG-2

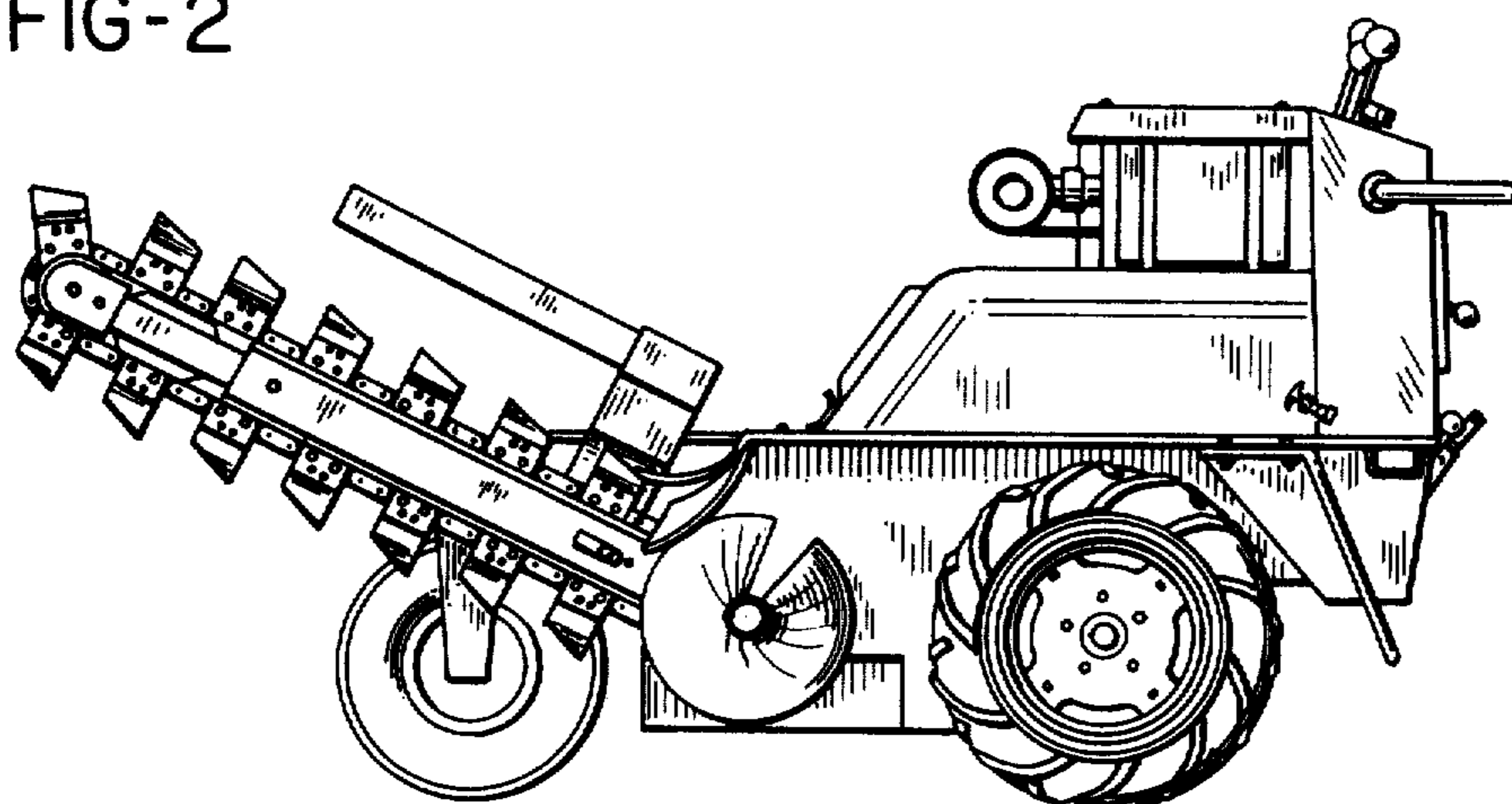


FIG-3

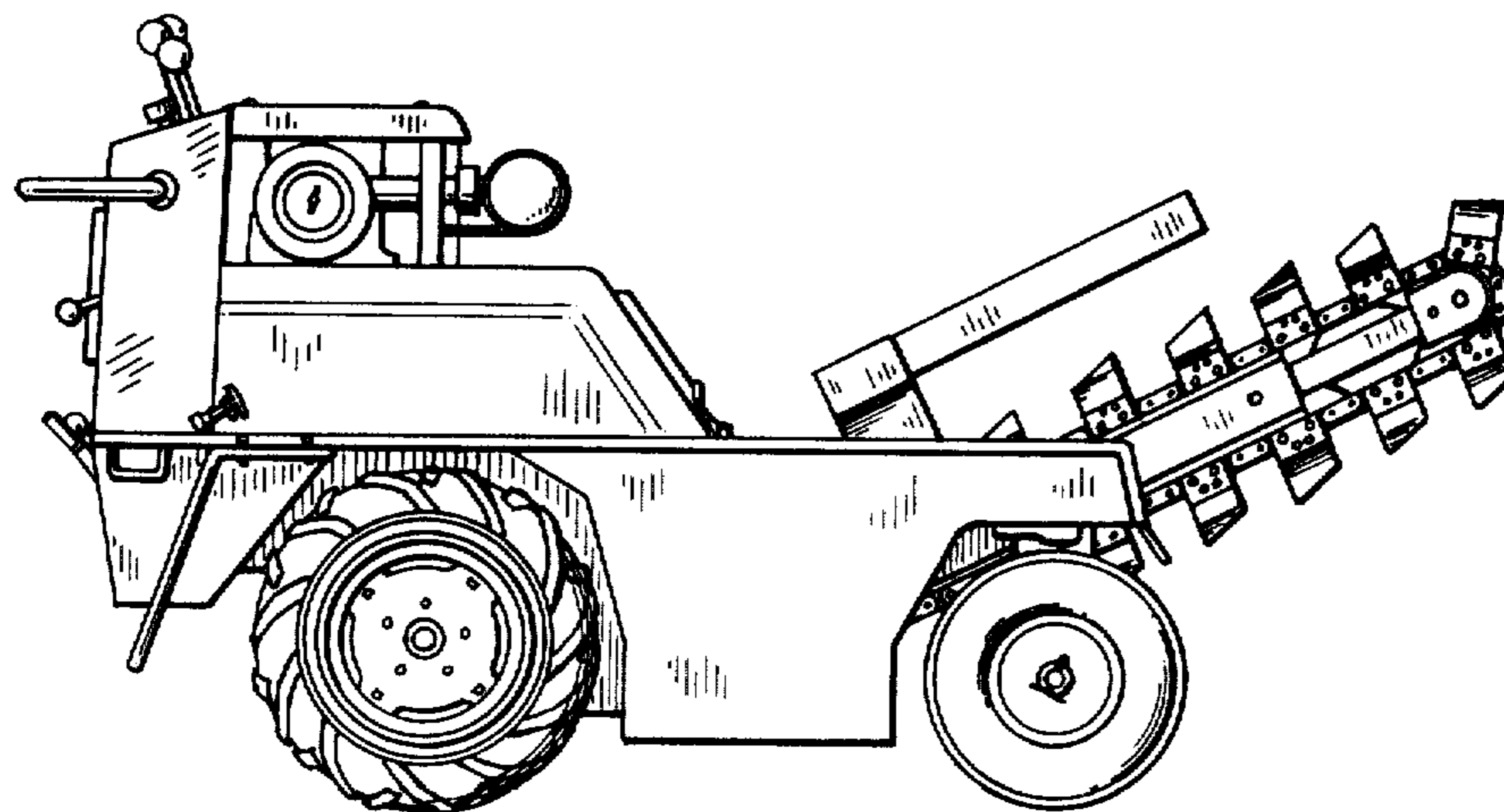


FIG-4

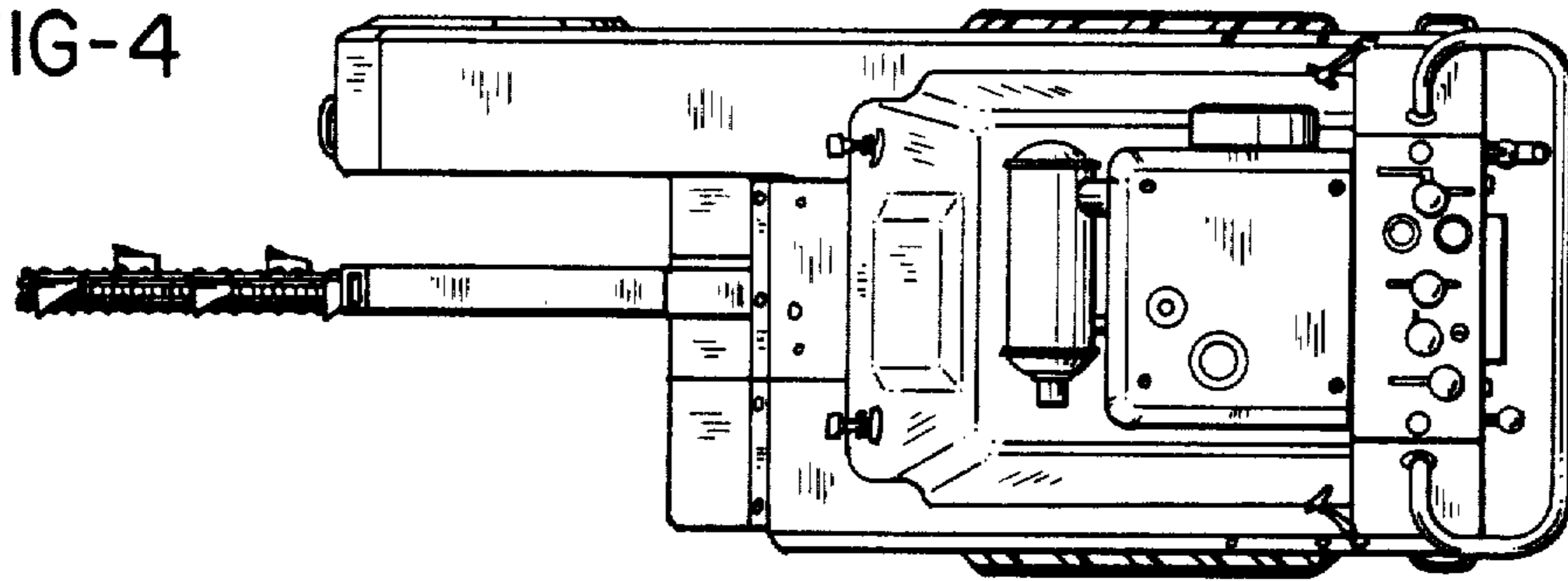


FIG-5

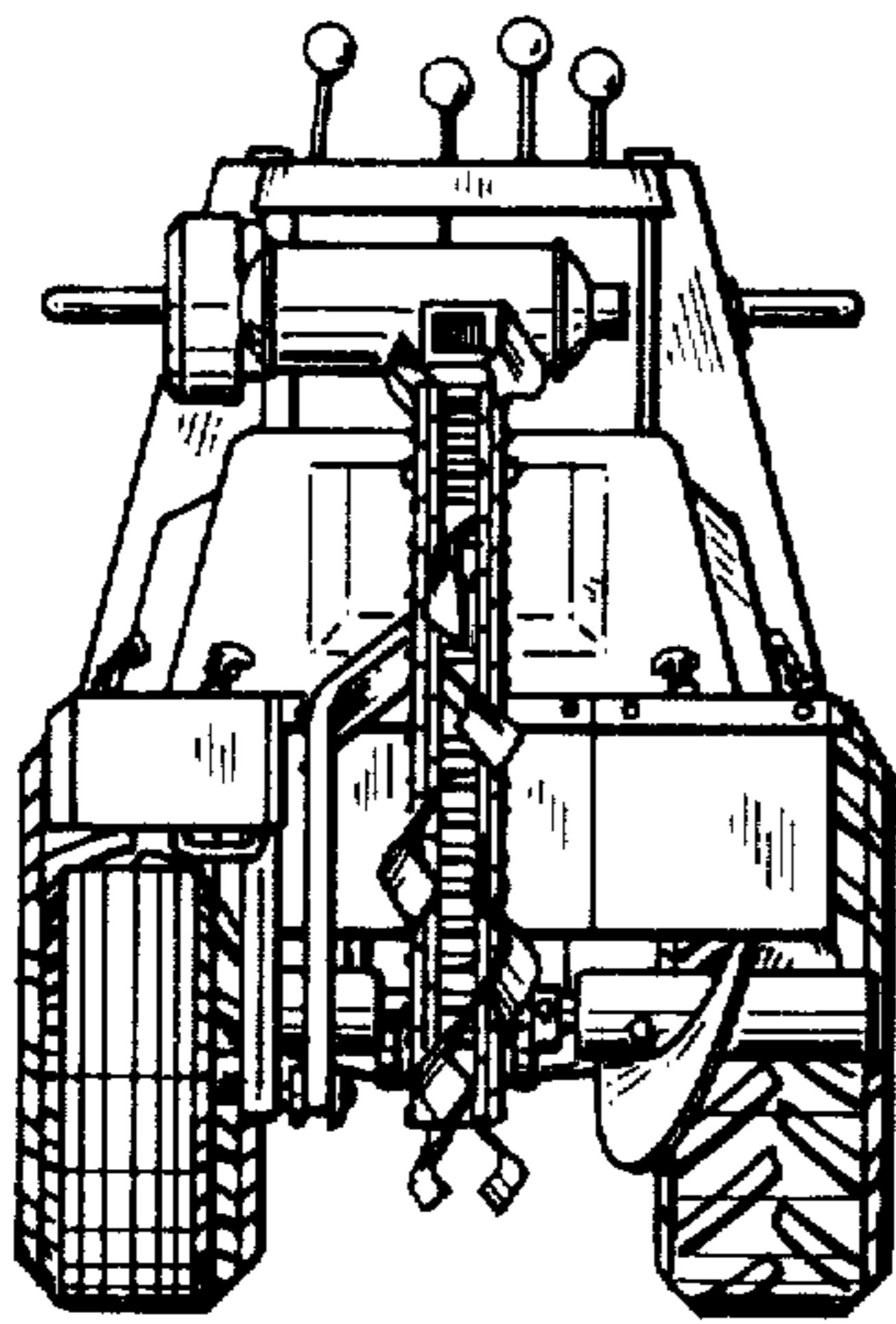


FIG-6

