

[54] POT FOR FLOWERS, PLANTS OR THE LIKE

[76] Inventor: John Kodet, 139 Queens Rd.,
Connell's Point, New South Wales,
Australia, 2221

[**] Term: 14 Years

[21] Appl. No.: 167,247

[22] Filed: Jul. 10, 1980

[30] Foreign Application Priority Data

Feb. 1, 1980 [AU] Australia 80,137

[51] Int. Cl. D11-02

[52] U.S. Cl. D11/152

[58] Field of Search D11/143-156, 164;
47/33, 39, 40, 41, 41.12, 41.13, 61, 66-68, 72,
73, 75, 78-81, 85-87

[56] References Cited

U.S. PATENT DOCUMENTS

D. 240,548	7/1976	Messick	D11/152
D. 243,031	1/1977	Anderson	D11/152
D. 248,153	6/1978	Yoshida	D11/152
D. 259,774	7/1981	Criscitiello, Jr.	D11/143
3,158,957	12/1964	Sierke	D11/152
4,092,804	6/1978	Morris et al.	47/66

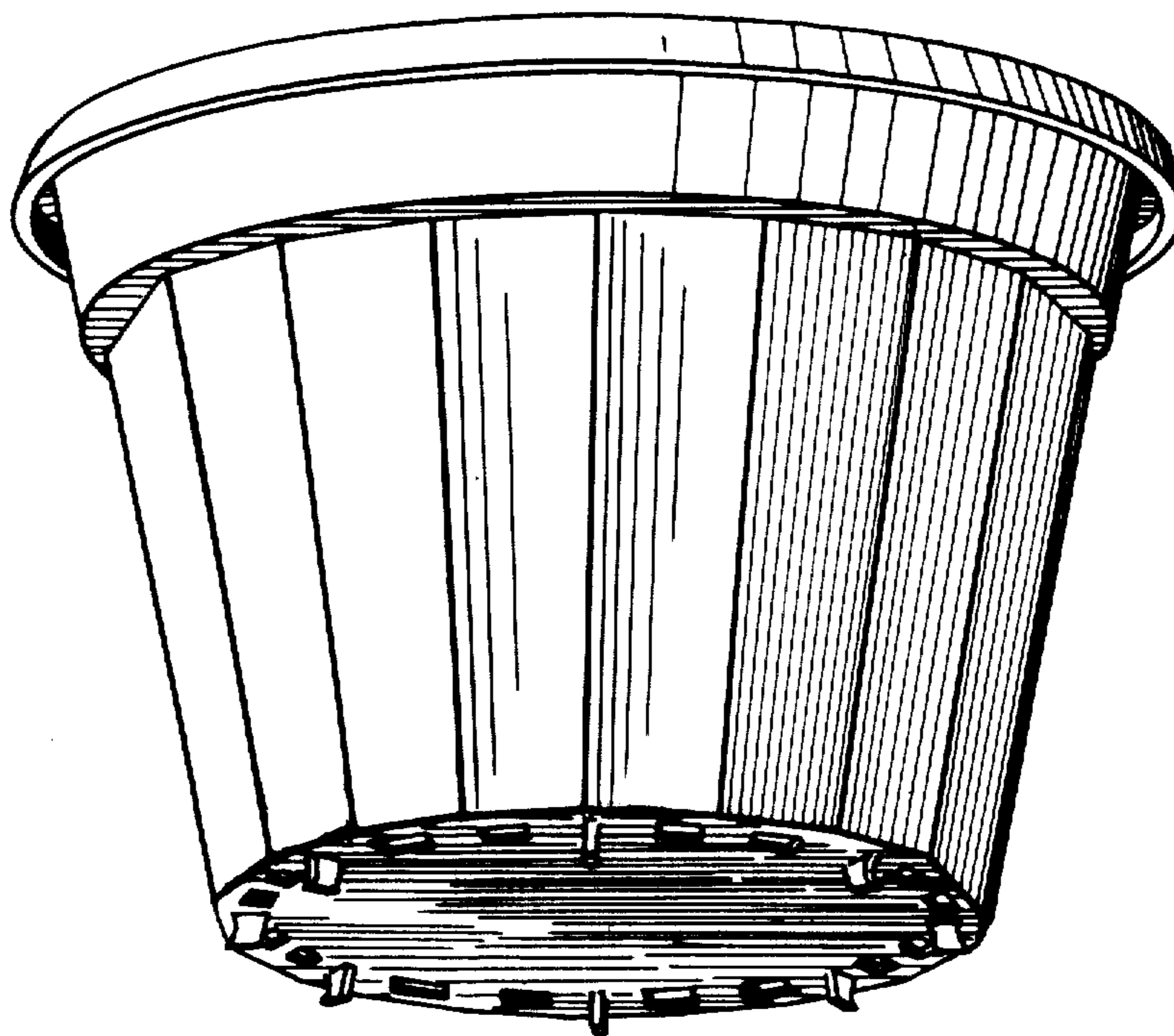
Primary Examiner—B. J. Bullock
Attorney, Agent, or Firm—Darby & Darby

[57] CLAIM

The ornamental design for a pot for flowers, plants or the like, as shown.

DESCRIPTION

FIG. 1 is an enlarged perspective view of a pot for flowers, plants or the like showing my new design;
FIG. 2 is a side elevational view thereof, all sides being identical;
FIG. 3 is a top plan view thereof;
FIG. 4 is a bottom plan view thereof.



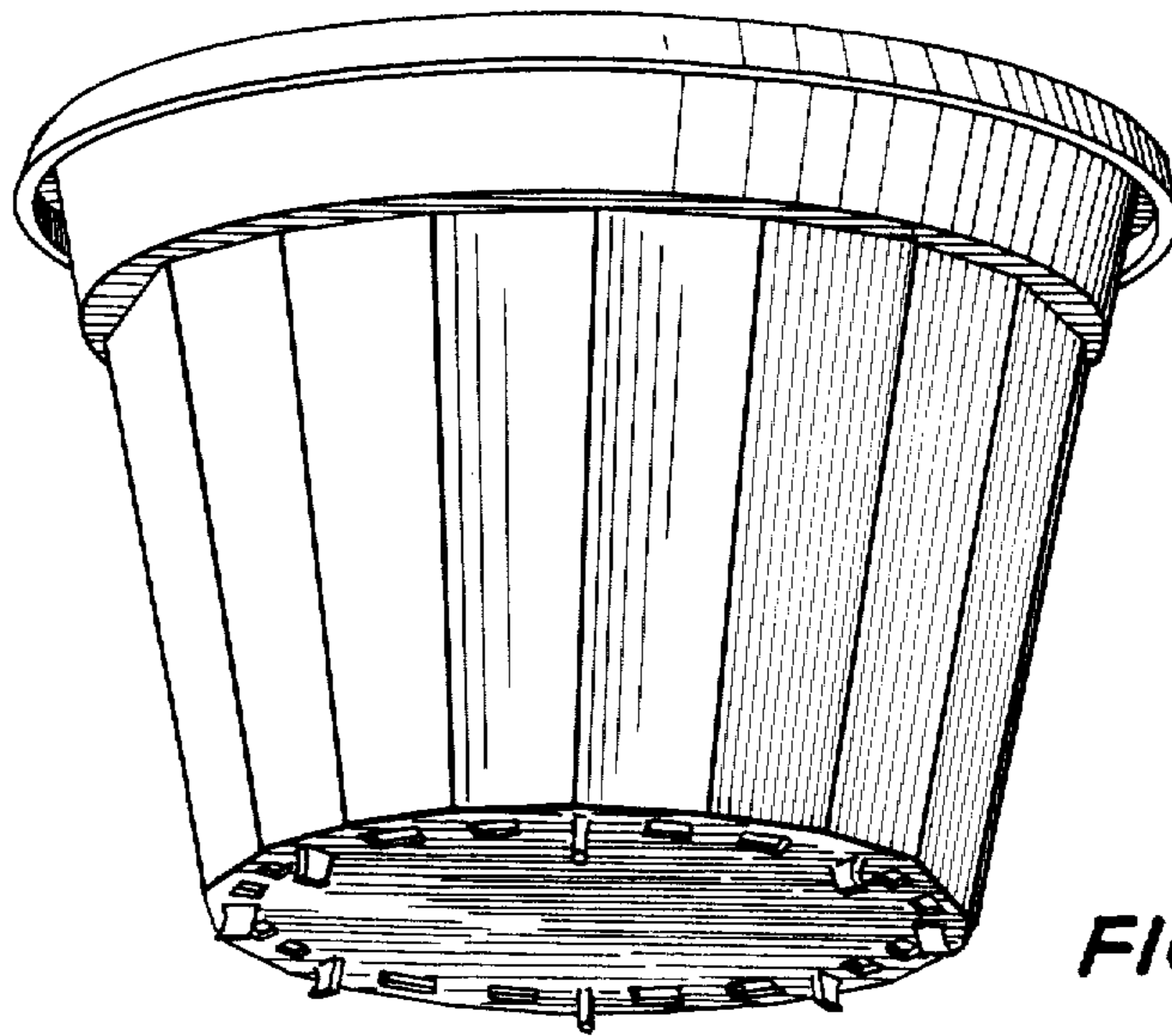


FIG. 1

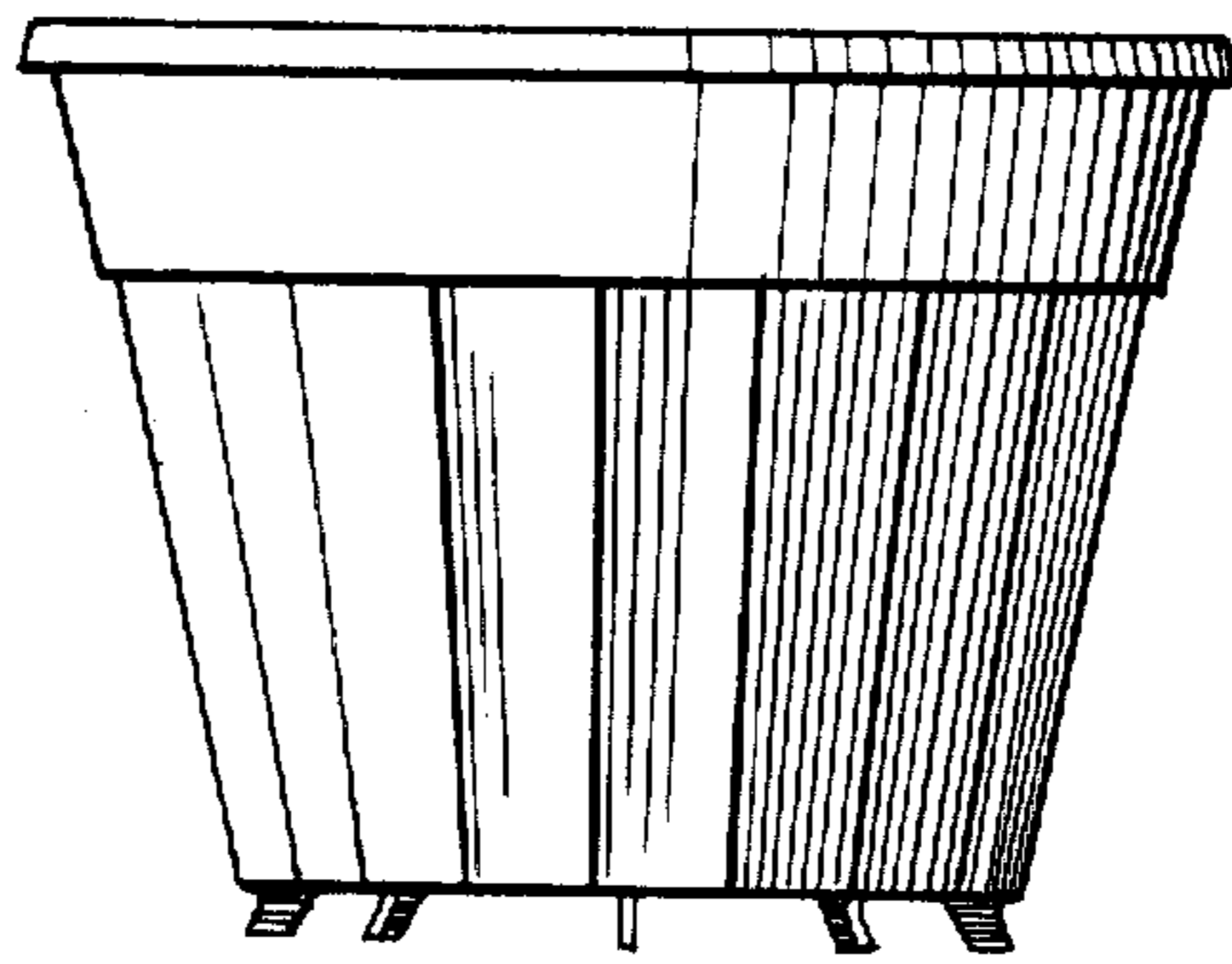


FIG. 2

FIG. 3

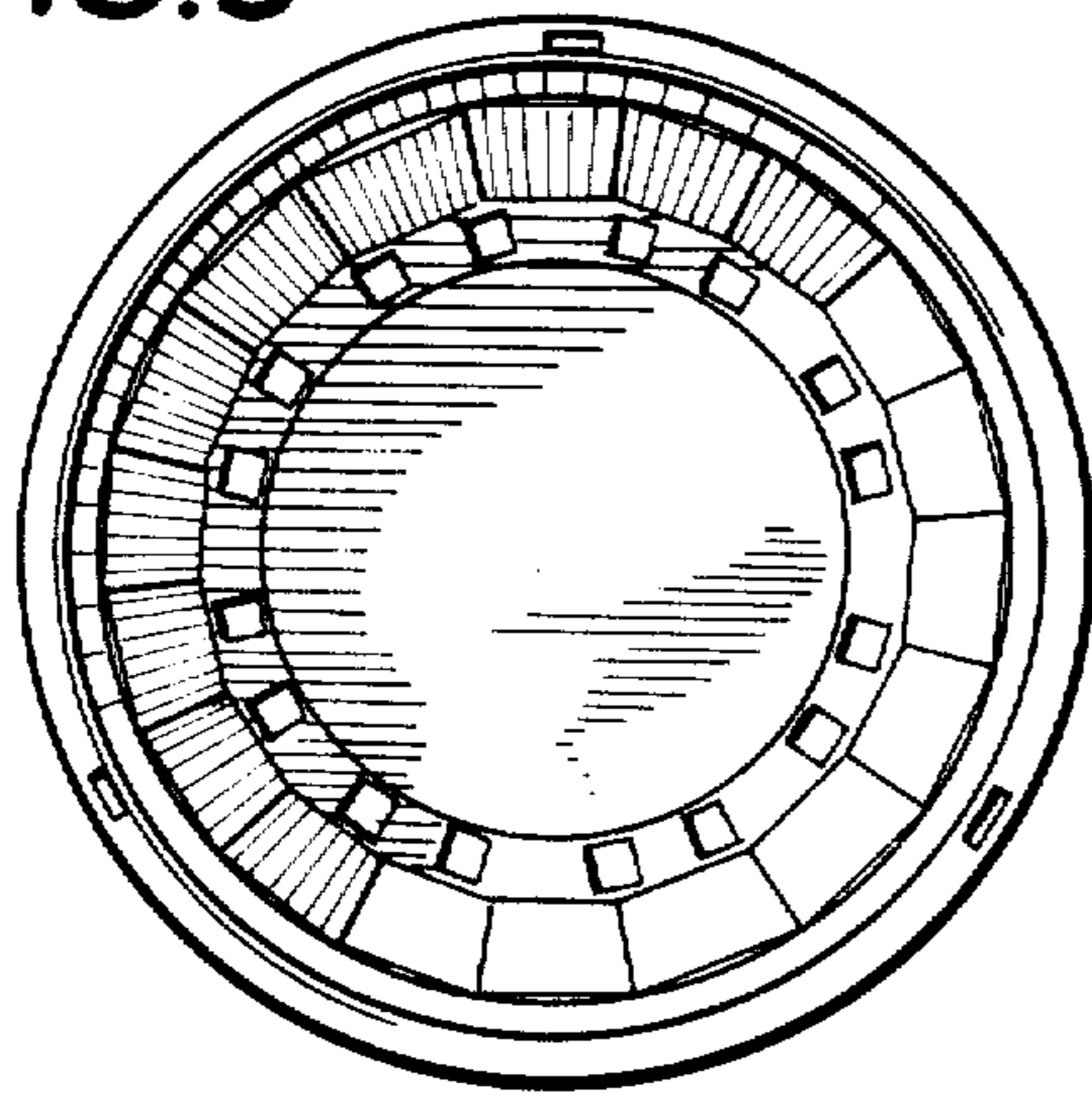


FIG. 4

