

[54] **INK TROUGH** 4,197,656 4/1980 Lane 33/414

[76] Inventor: **Chuang-Min Chiou**, No. 415 Yung an Rd., T'Ao Yuan City, Taiwan

[**] Term: **14 Years**

[21] Appl. No.: **147,021**

[22] Filed: **May 6, 1980**

[30] **Foreign Application Priority Data**

Jan. 23, 1980 [TW] Taiwan 6930146

[51] Int. Cl. **D10-04**

[52] U.S. Cl. **D10/61**

[58] Field of Search **D10/61; 33/414**

[56] **References Cited**

U.S. PATENT DOCUMENTS

3,691,639 9/1972 Ruesler 33/414

FOREIGN PATENT DOCUMENTS

180112 5/1922 United Kingdom 33/414

Primary Examiner—Nelson C. Holtje
Attorney, Agent, or Firm—Ladas & Parry

[57] **CLAIM**

The ornamental design for an ink trough, as shown.

DESCRIPTION

FIG. 1 is a perspective view taken from above and one side of an ink trough showing my new design; FIG. 2 is a front elevation thereof; FIG. 3 is a right side elevation thereof; FIG. 4 is a left side elevation thereof; FIG. 5 is a rear elevation thereof; FIG. 6 is a top plan view thereof; and FIG. 7 is a bottom plan view thereof.

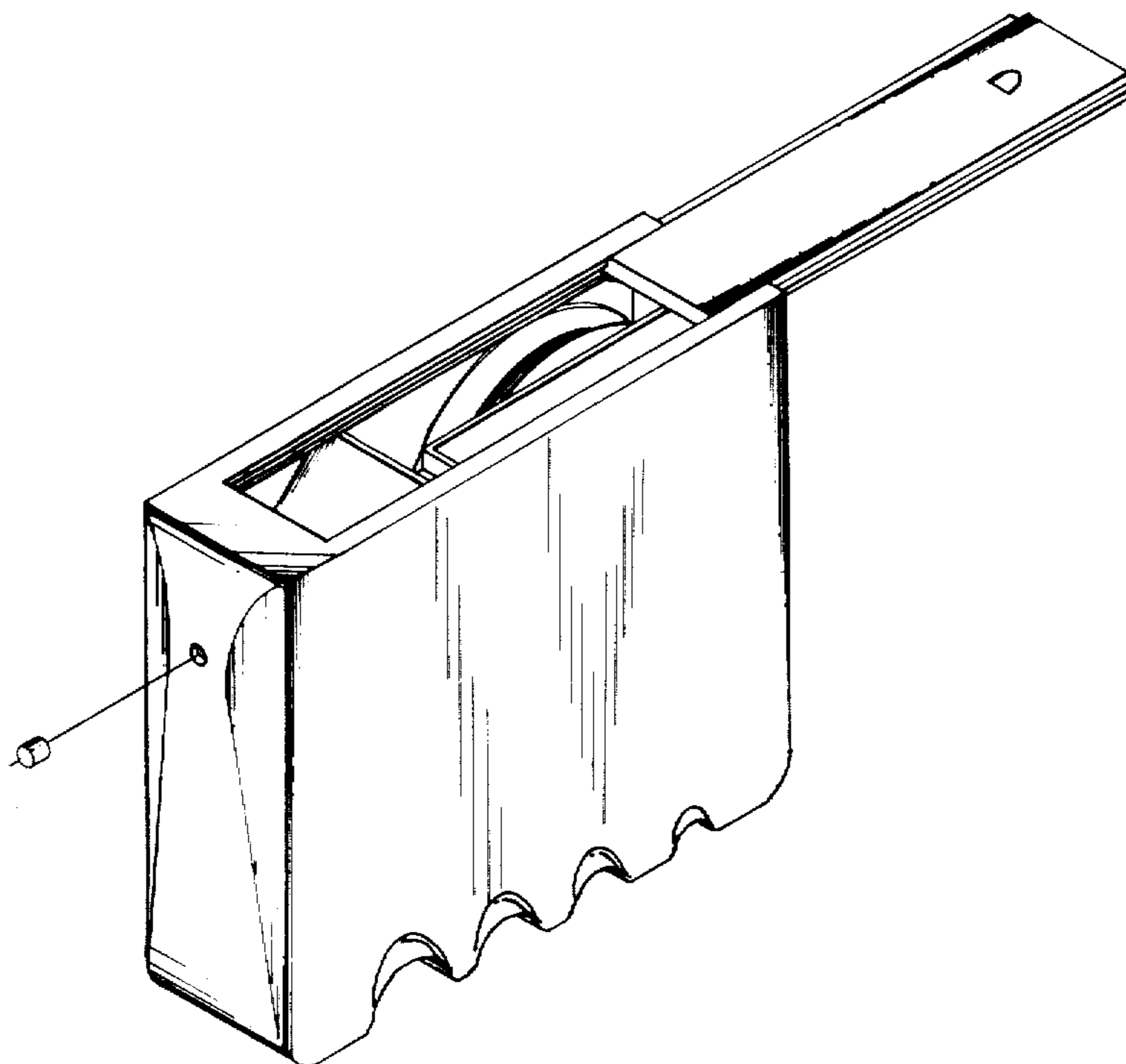




FIG - 4

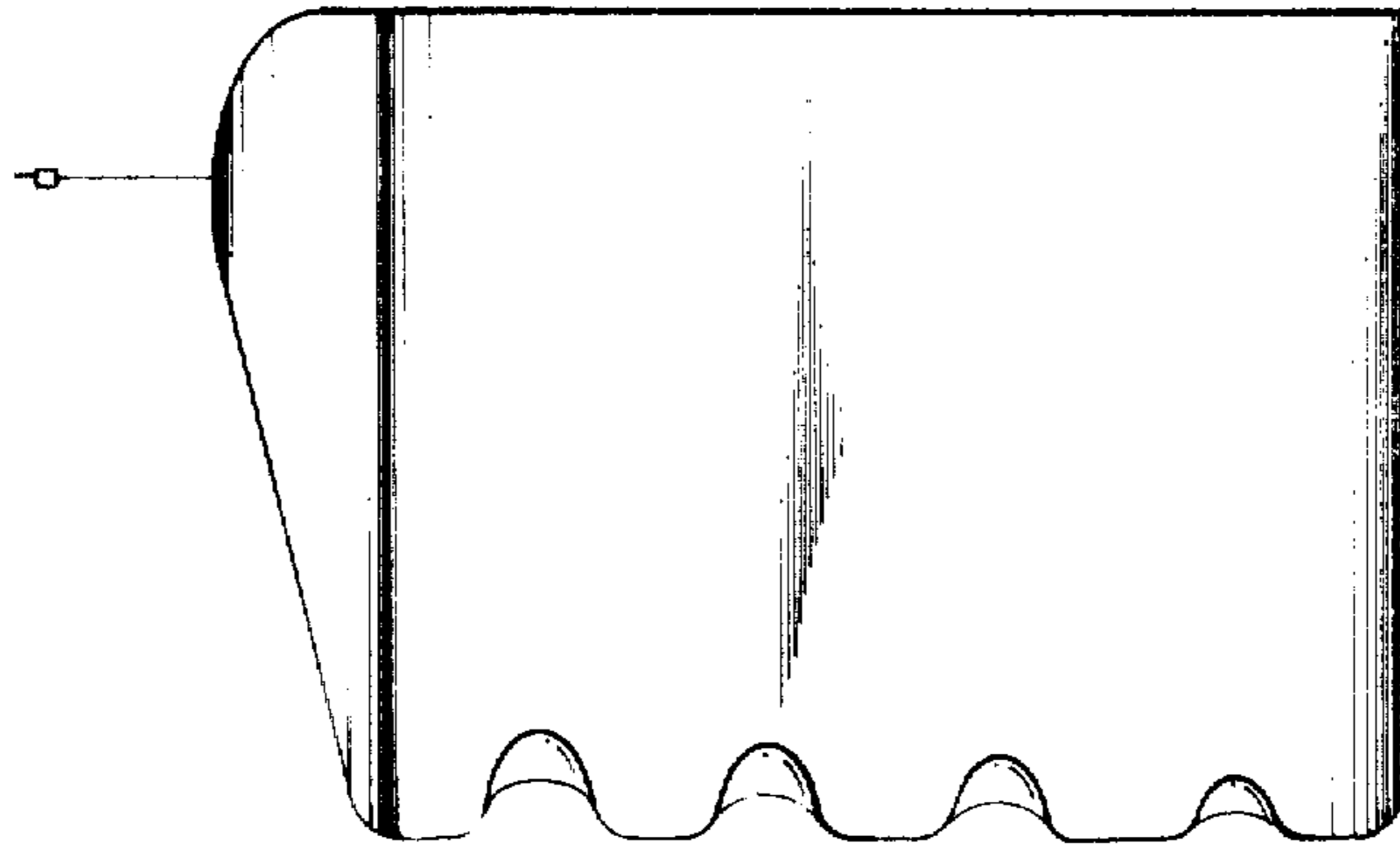


FIG - 2

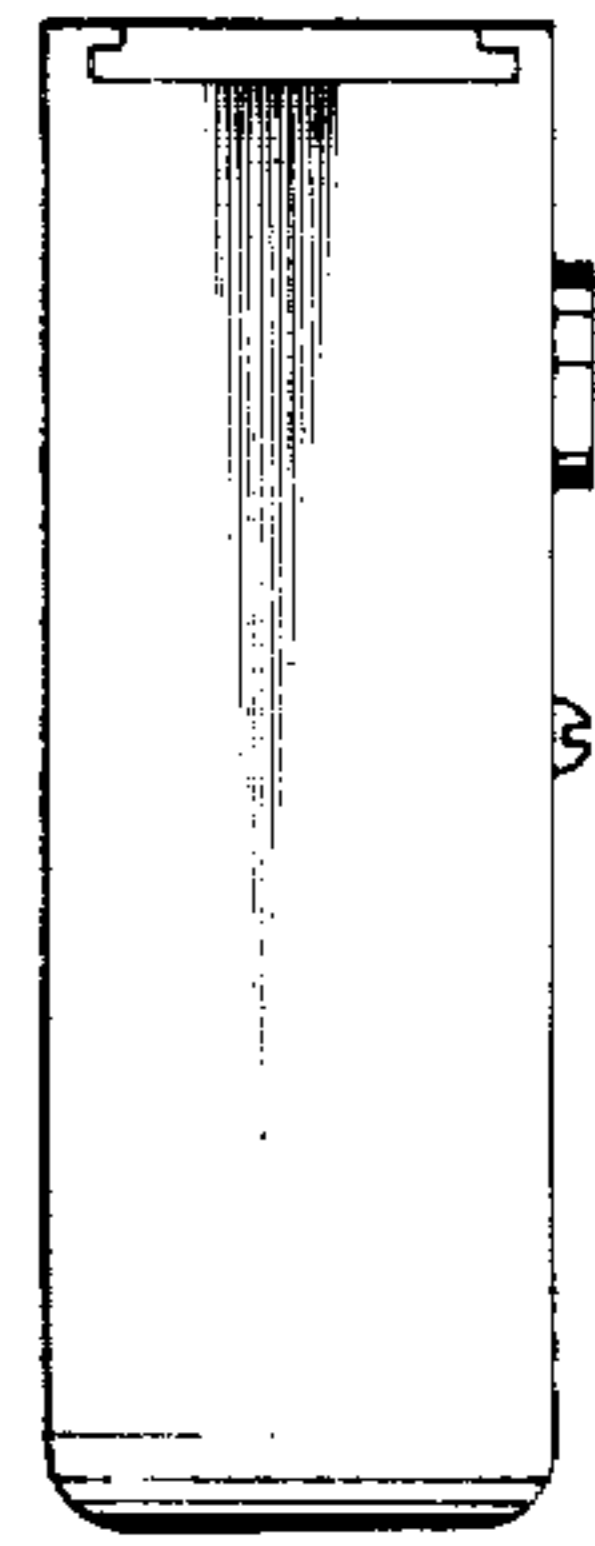


FIG - 3

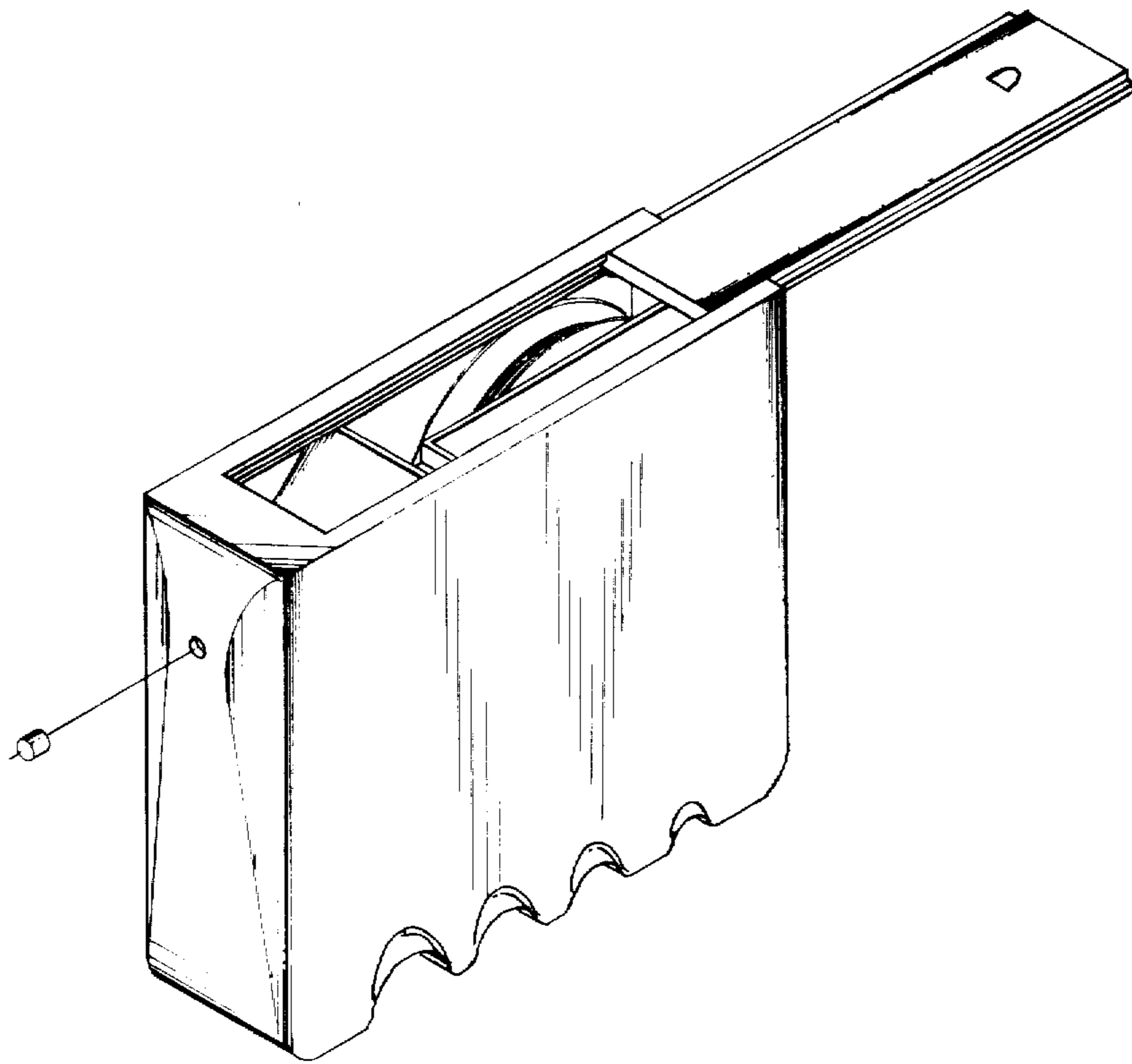


FIG - 1

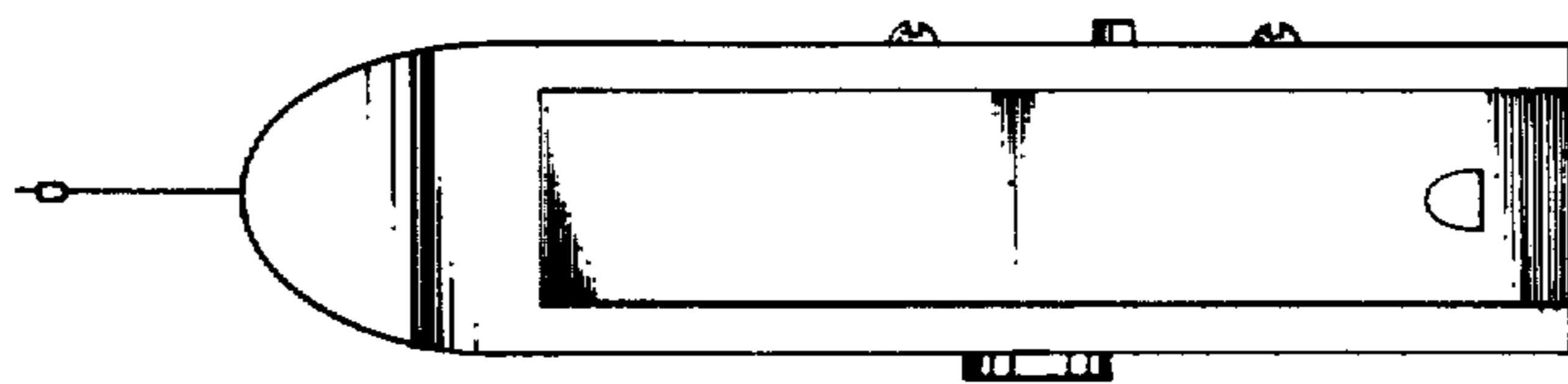


FIG - 6

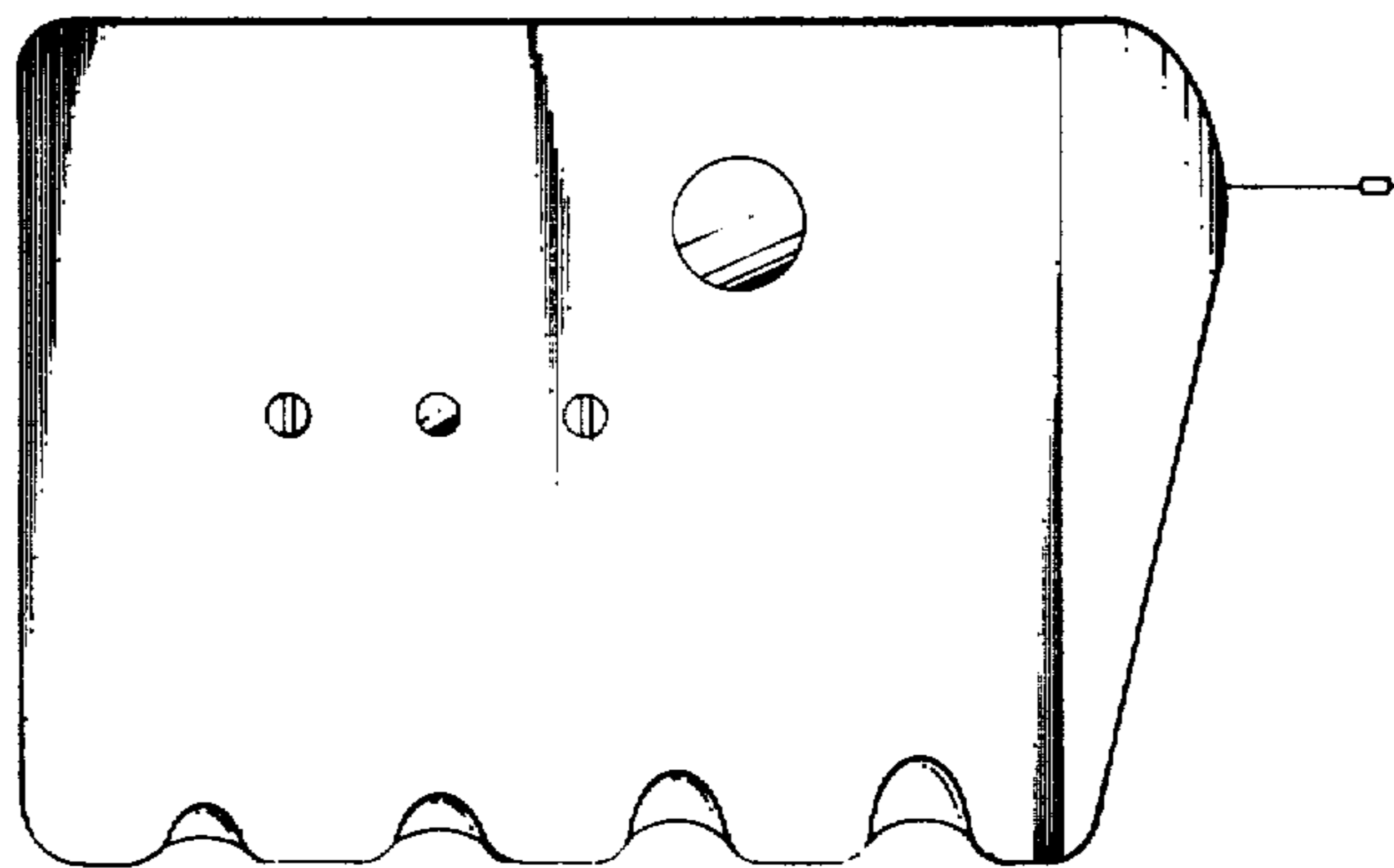


FIG - 5

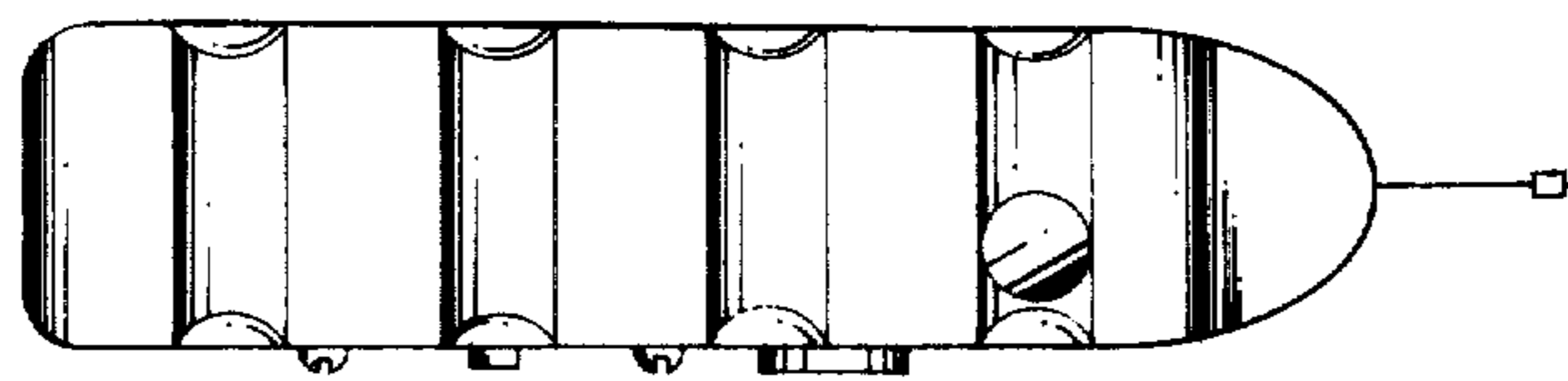


FIG - 7