

[54] PACKAGING CONTAINER

[75] Inventor: Christopher Brown, Portland, Oreg.

[73] Assignee: Hoody Corporation, Portland, Oreg.

[**] Term: 14 Years

[21] Appl. No.: 151,203

[22] Filed: May 19, 1980

[51] Int. Cl. D9-03

[52] U.S. Cl. D9/416; D9/339; D9/417; D9/430

[58] Field of Search 229/17 R, 17 B, 17 M, 229/6 R, 7 R; D9/339, 414, 416, 417, 430, 431

[56] References Cited

U.S. PATENT DOCUMENTS

- D. 246,615 12/1977 Downing D99/44
- 2,771,227 11/1956 Urbina 229/17 M X

- 2,912,788 11/1959 Hargrove 229/17 M
- 3,356,279 12/1967 Root 229/17 B
- 4,039,118 8/1977 Kawaoka 229/17 B

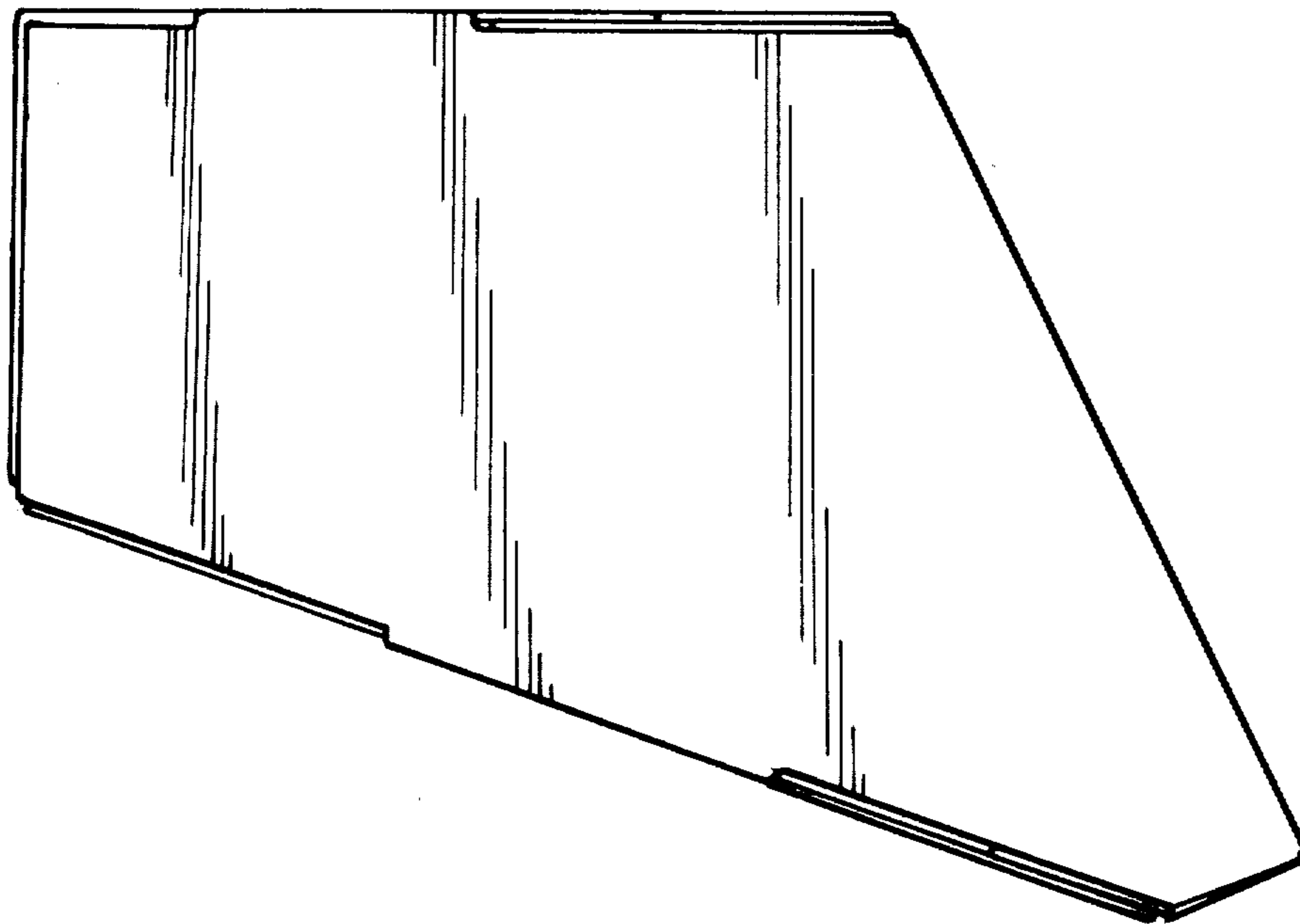
Primary Examiner—Robert C. Spangler
Attorney, Agent, or Firm—Kolisch, Hartwell & Dickinson

[57] CLAIM

The ornamental design for packaging container, as shown and described.

DESCRIPTION

- FIG. 1 is a top plan view of a packaging container showing my new design;
- FIG. 2 is a side elevational view;
- FIG. 3 is an elevational view showing the side opposite that seen in FIG. 2;
- FIG. 4 is a bottom plan view;
- FIG. 5 is a front elevational view; and
- FIG. 6 is a rear elevational view thereof.



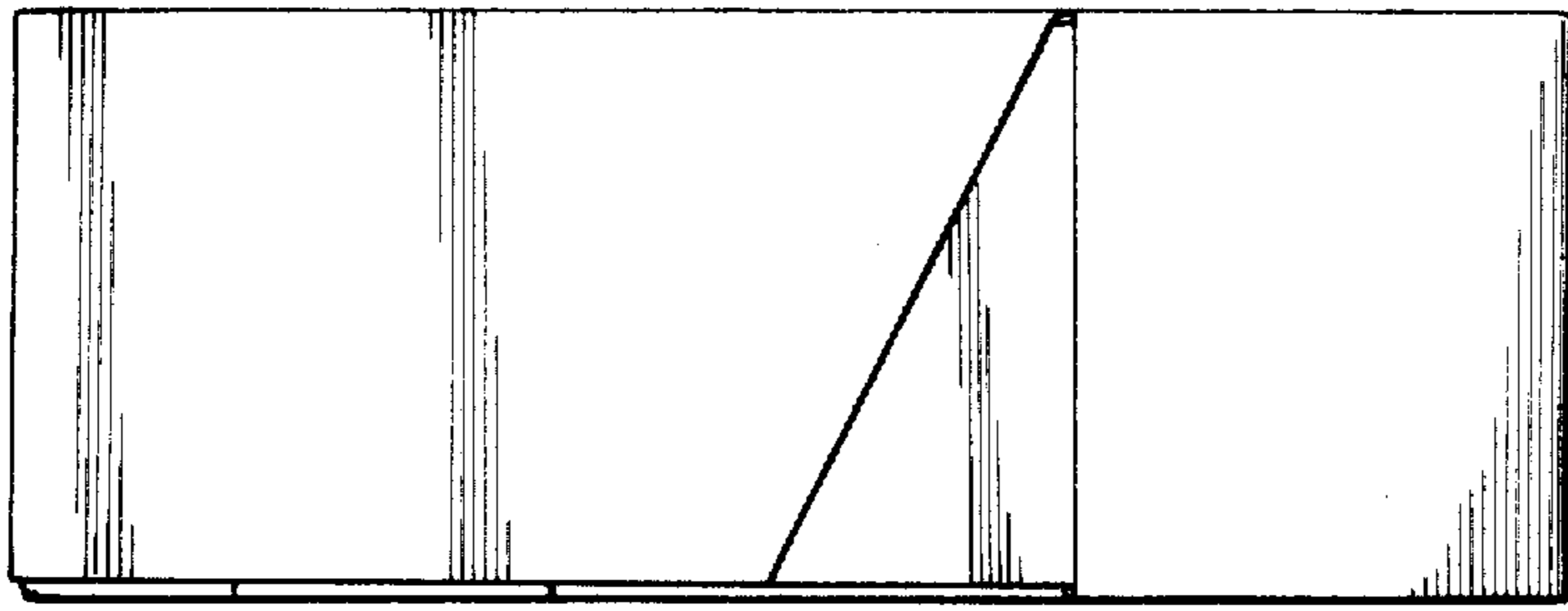


FIG. 1

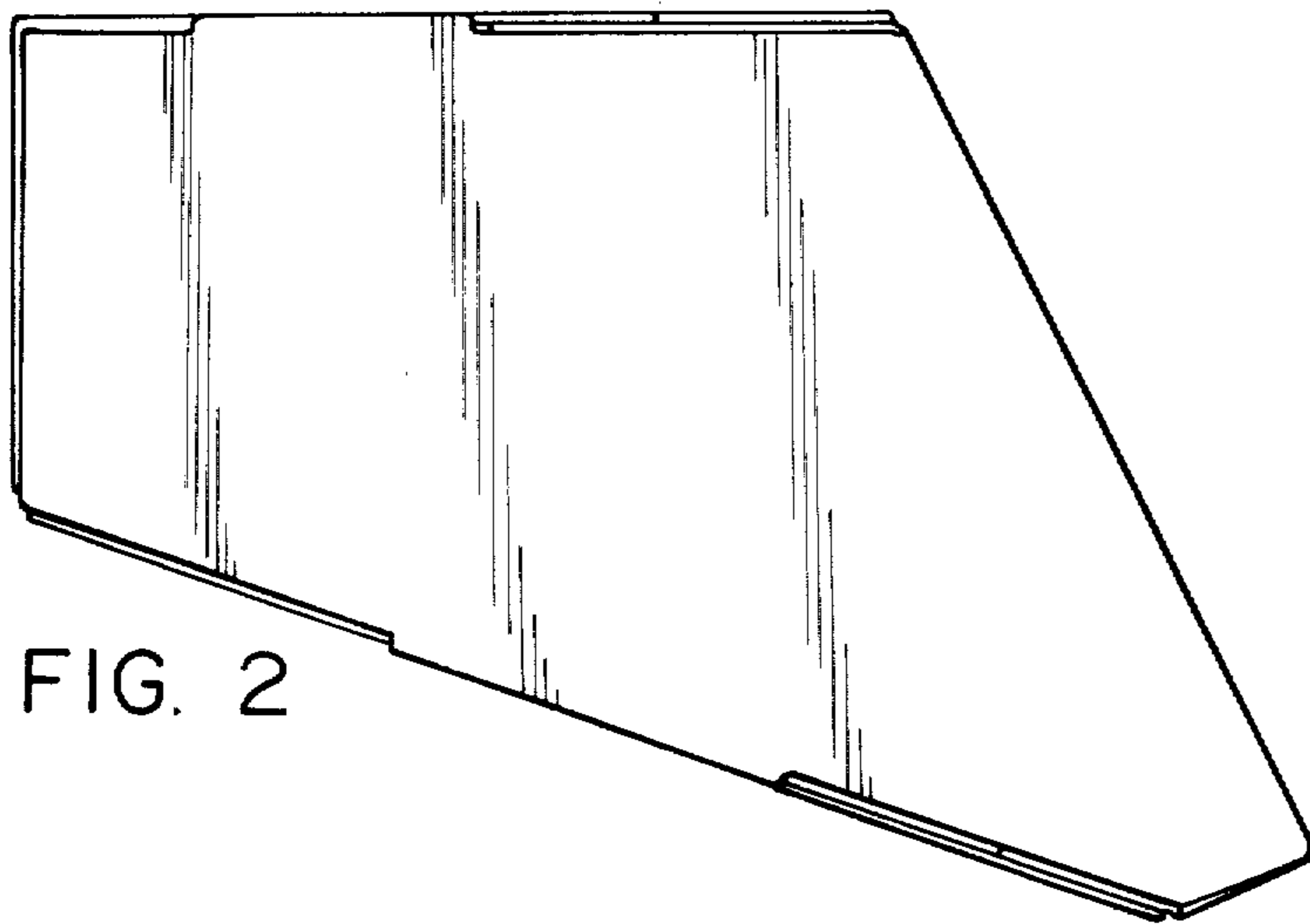


FIG. 2

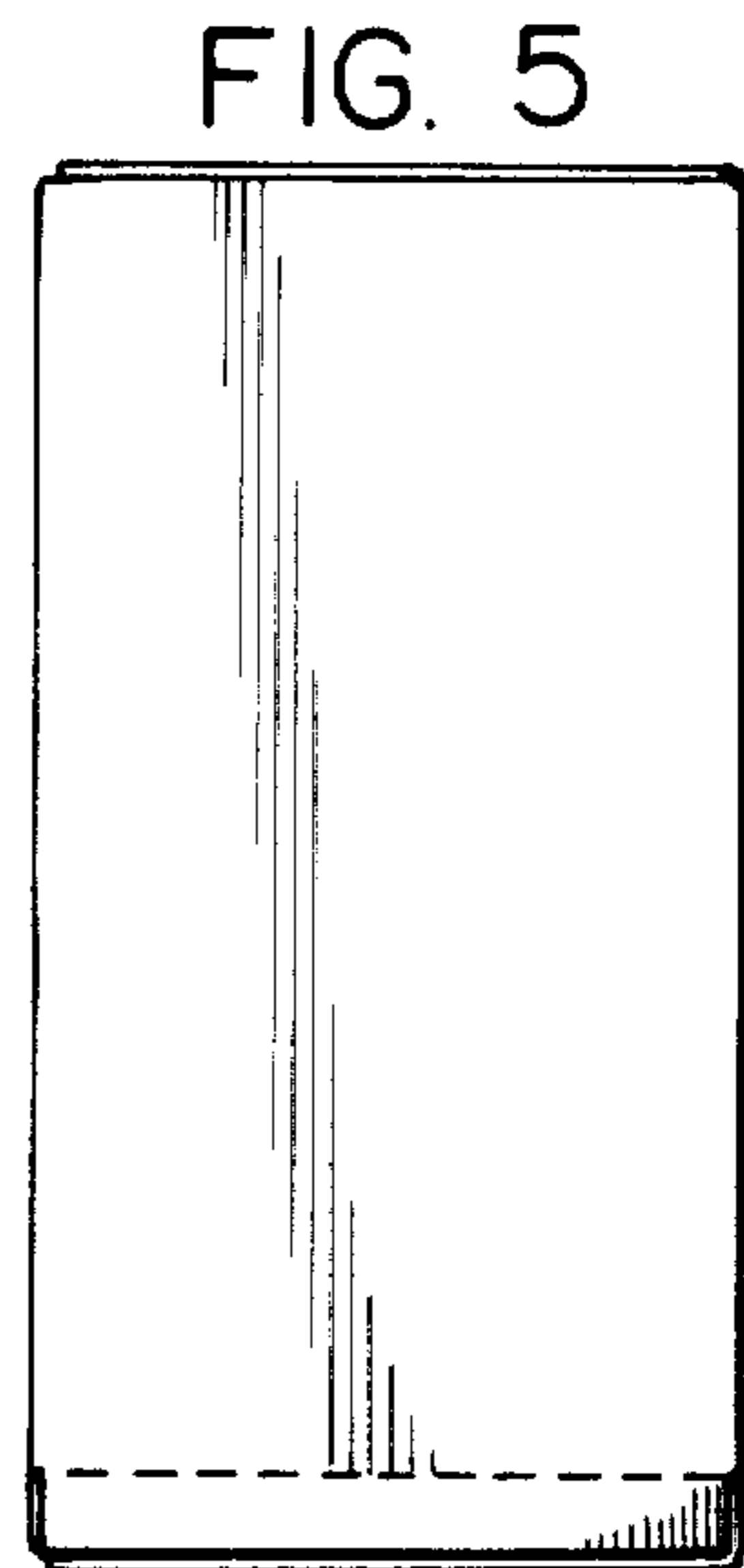


FIG. 5

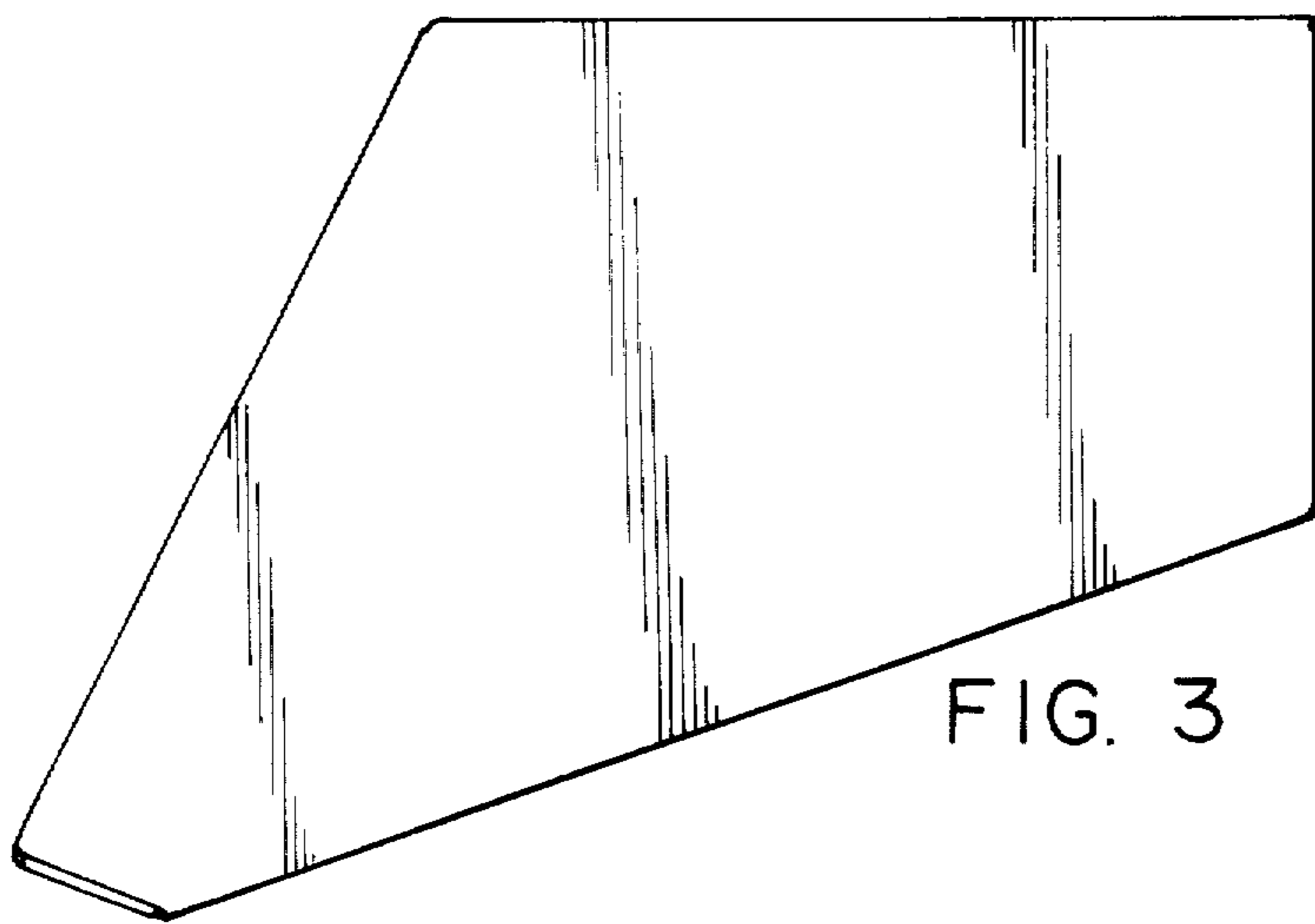


FIG. 3

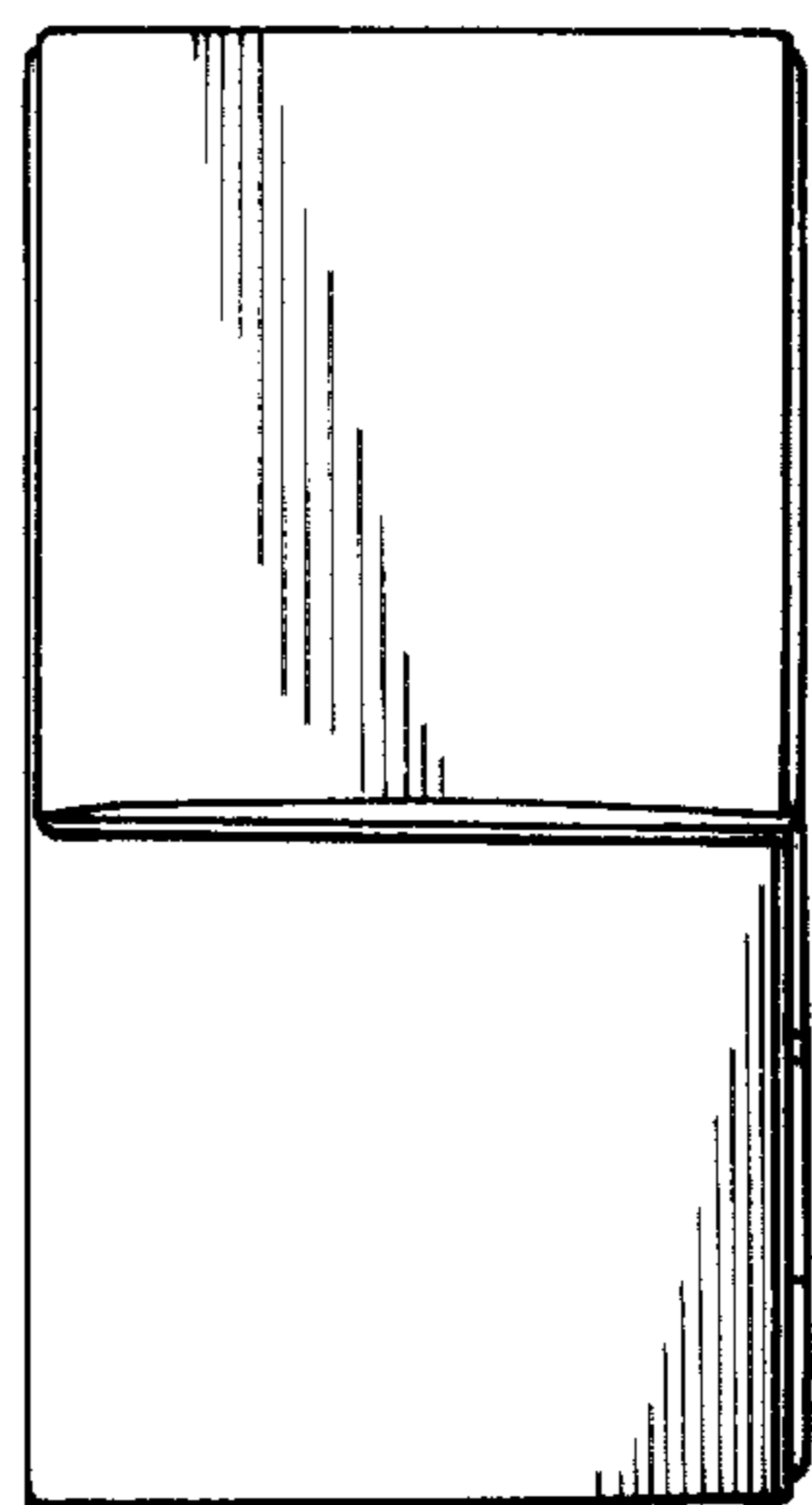


FIG. 6

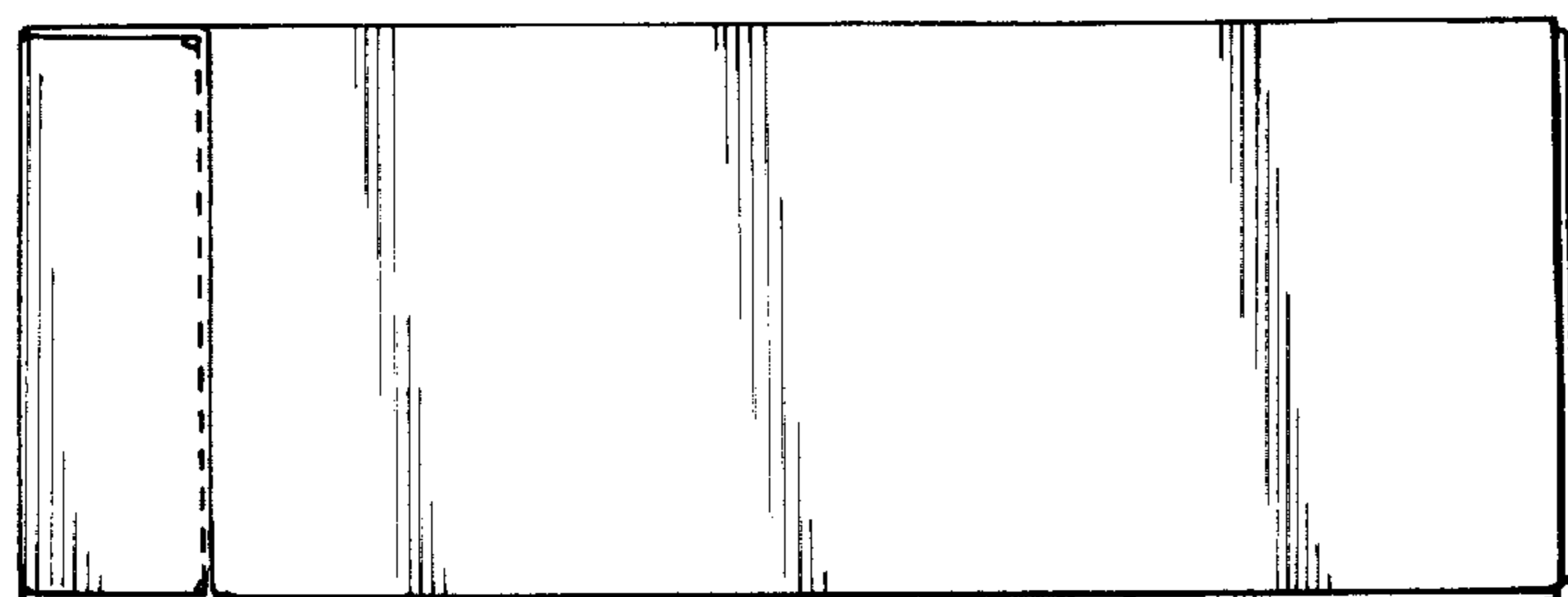


FIG. 4