

[54] **PRINT ELEMENT CONTAINER**  
[75] **Inventor: Bruce A. Claxton, Coral Springs, Fla.**  
[73] **Assignee: SCM Corporation, New York, N.Y.**  
[\*\*] **Term: 14 Years**  
[21] **Appl. No.: 210,922**  
[22] **Filed: Nov. 28, 1980**  
[51] **Int. Cl. .... D9-03**  
[52] **U.S. Cl. .... D9/415; D9/424;  
D18/12**  
[58] **Field of Search .... D18/18, 22, 24, 12;  
206/224, 461; D9/414, 415, 424, 425-428, 432,  
345**  
[56] **References Cited**  
**U.S. PATENT DOCUMENTS**  
D. 33,167 9/1900 La Du ..... D18/22

D. 234,261 2/1975 Walton ..... D9/345 X  
D. 234,294 2/1975 Gorman ..... D9/345  
D. 252,797 9/1979 Fuller ..... D9/415

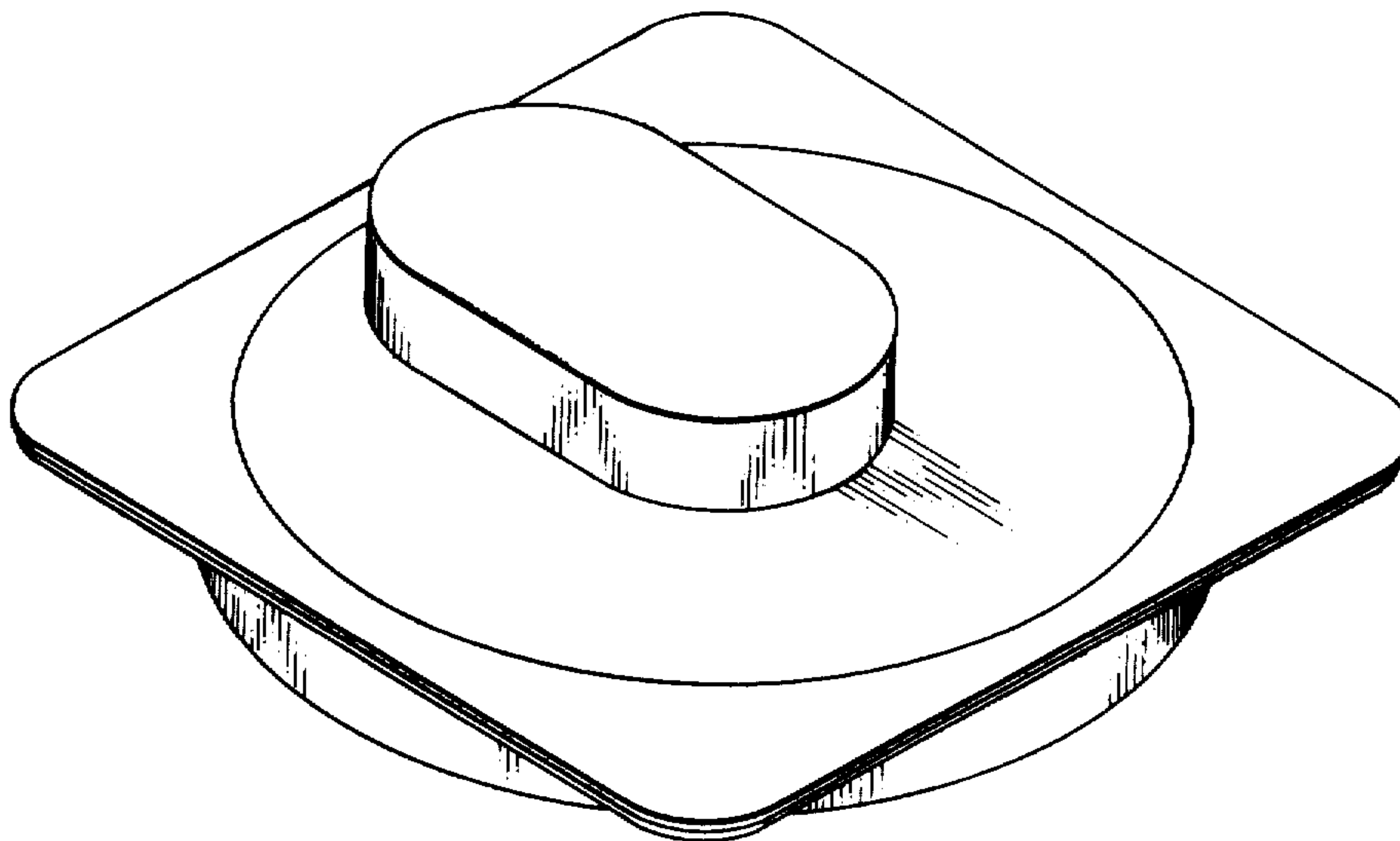
*Primary Examiner*—Robert C. Spangler  
*Attorney, Agent, or Firm*—William E. Mear, III; Ernest F. Weinberger

[57] **CLAIM**

The ornamental design for a print element container, as shown.

**DESCRIPTION**

FIG. 1 is a front perspective view of a print element container showing my new design; FIG. 2 is a top plan view thereof; FIG. 3 is a front elevational view thereof; FIG. 4 is a rear elevational view thereof; FIG. 5 is a bottom plan view thereof; FIG. 6 is a left side elevational view thereof; and FIG. 7 is a right side elevational view thereof.



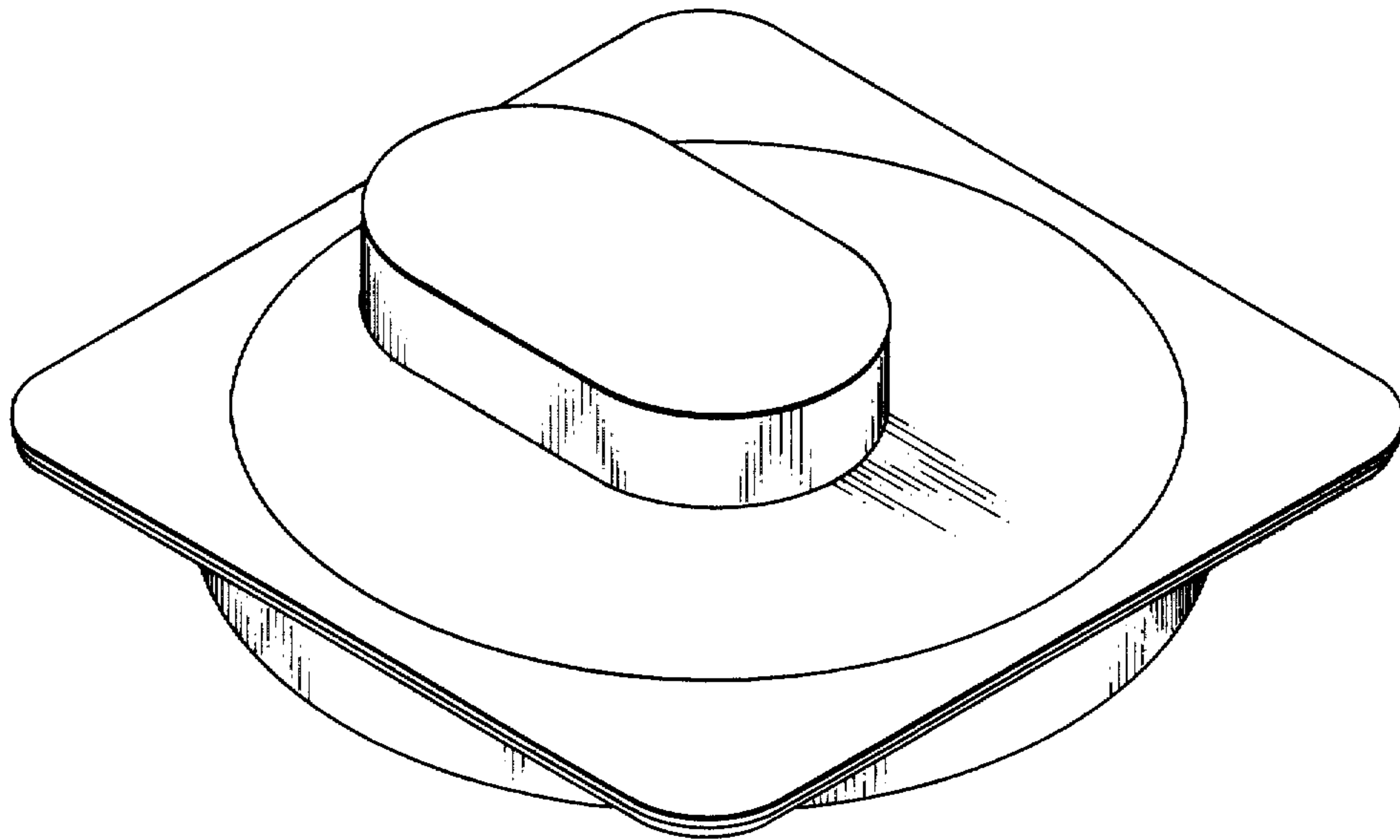


FIG 1

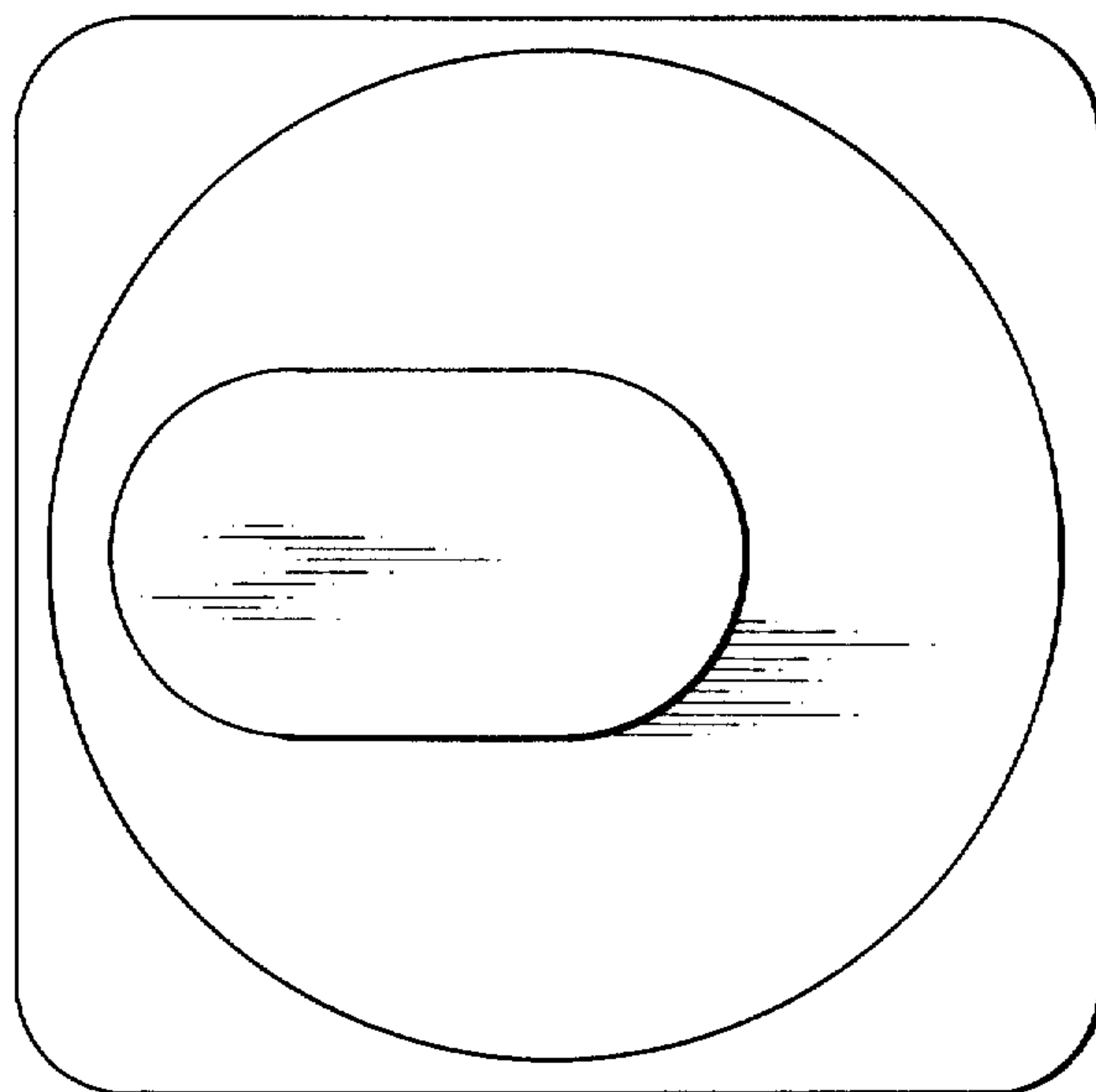


FIG 2

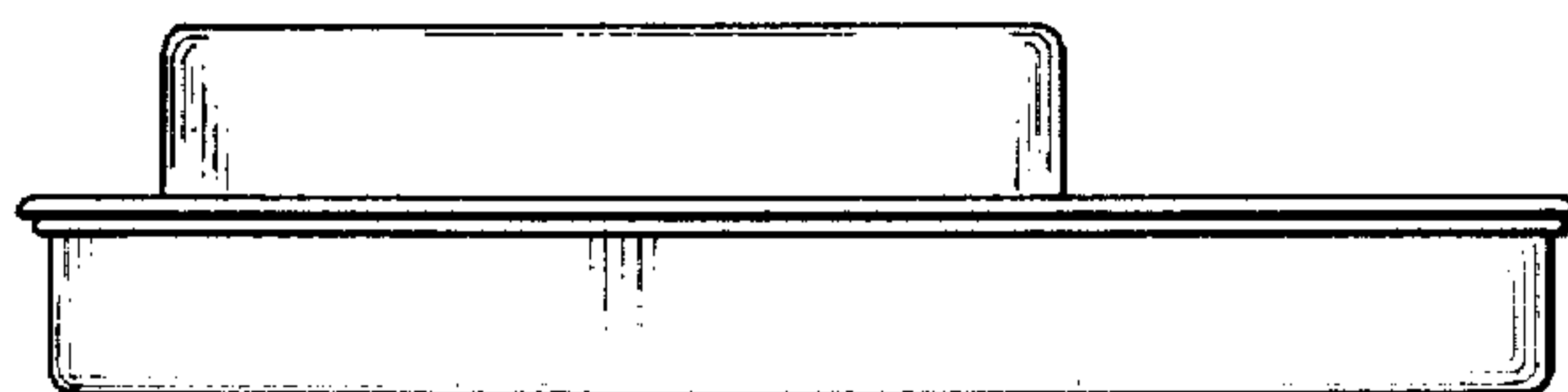


FIG 3

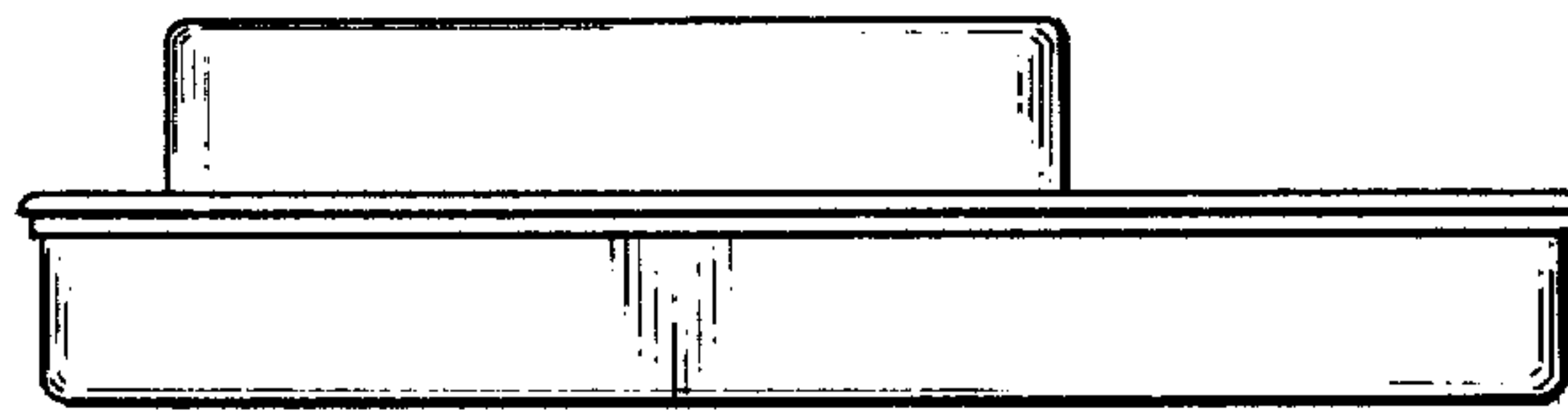


FIG 4

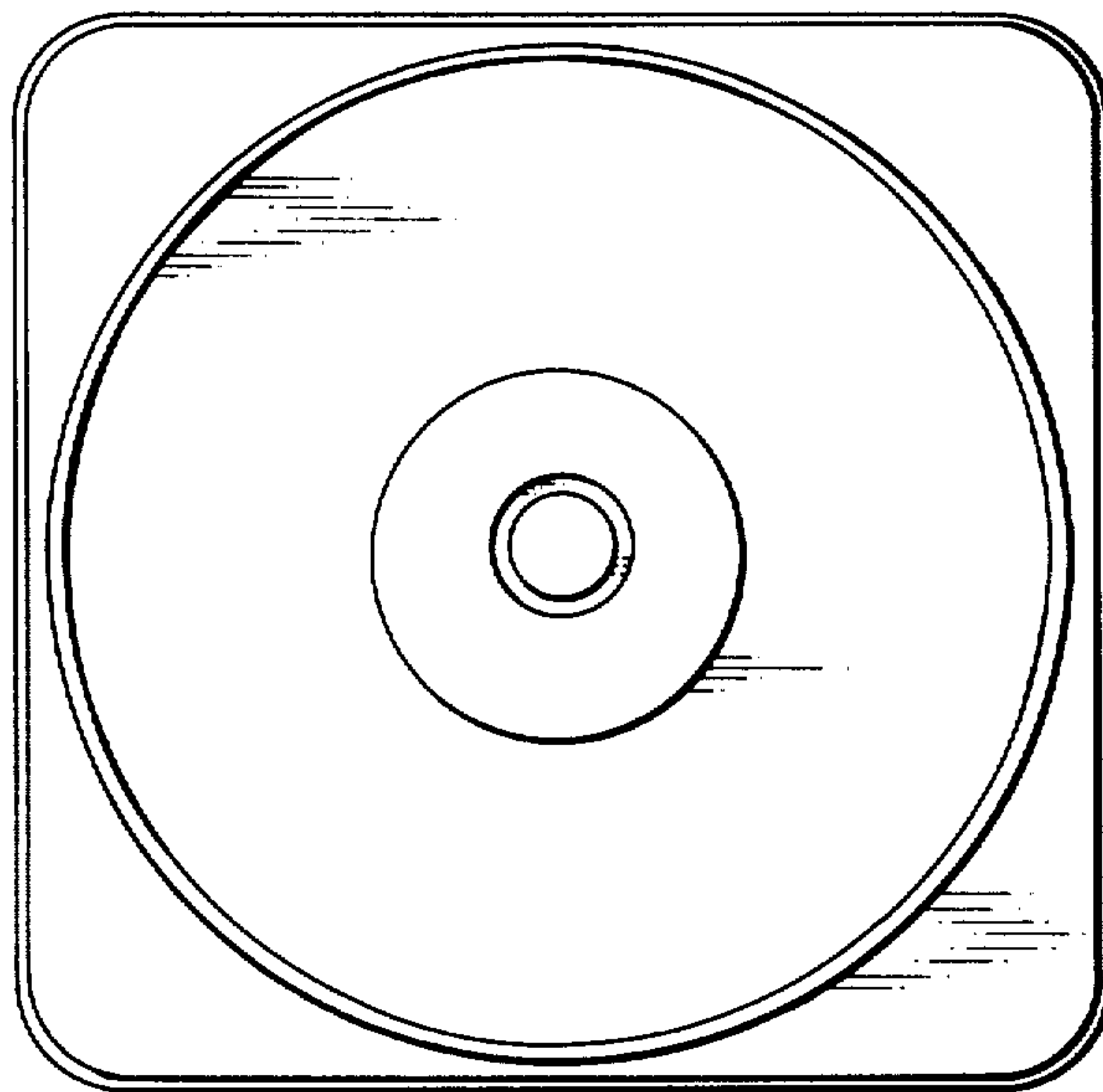


FIG 5

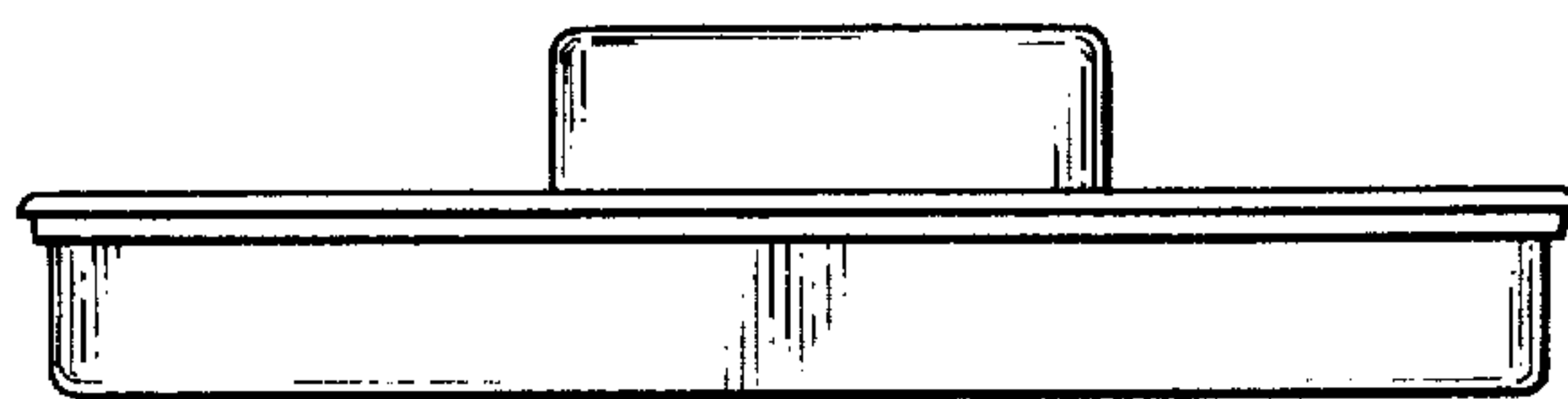


FIG 6

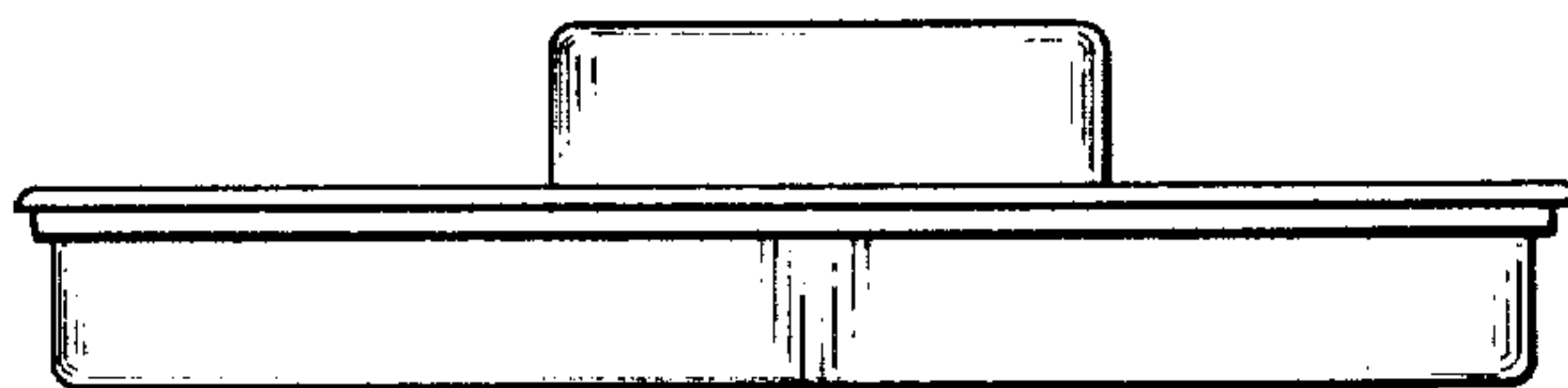


FIG 7