

[54] BOTTLE

[76] Inventor: **Howard Cooper**, 67 W. Chestnut St., Chicago, Ill. 60610

[\*\*] Term: **14 Years**

[21] Appl. No.: **210,416**

[22] Filed: **Nov. 25, 1980**

[51] Int. Cl. .... **D9-01**

[52] U.S. Cl. .... **D9/307; D9/397**

[58] Field of Search ..... **D9/307, 389, 390, 403, D9/410, 397; D7/6; 215/1 R, 1 C**

[56] **References Cited**

**U.S. PATENT DOCUMENTS**

D. 72,063 2/1927 Hatcher ..... D9/307

D. 113,045 1/1939 Lorenzen ..... D9/397  
D. 208,873 10/1967 Skupien ..... D7/6  
D. 224,638 8/1972 Cooper ..... D9/307

*Primary Examiner*—Robert C. Spangler  
*Attorney, Agent, or Firm*—William T. Boland, Jr.

[57] **CLAIM**

The ornamental design for a bottle, substantially as shown and described.

**DESCRIPTION**

FIG. 1 is a front view of a bottle embodying my new design;

FIG. 2 is a side view thereof;

FIG. 3 is a top view thereof; and

FIG. 4 is an enlarged cross-sectional view of a portion of the bottle shown in FIG. 1 taken along the line 2—2 thereof.

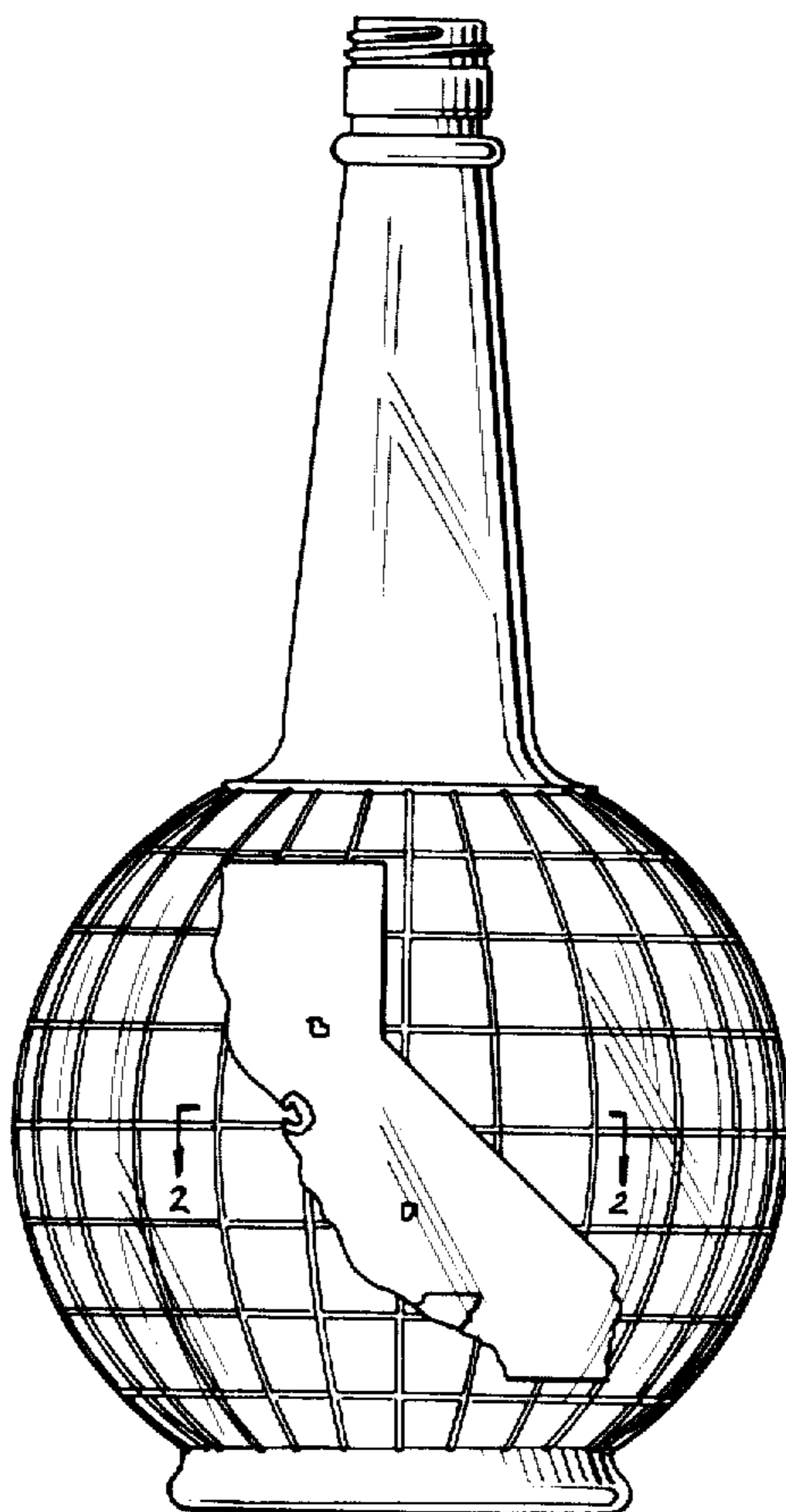


Fig. 1.

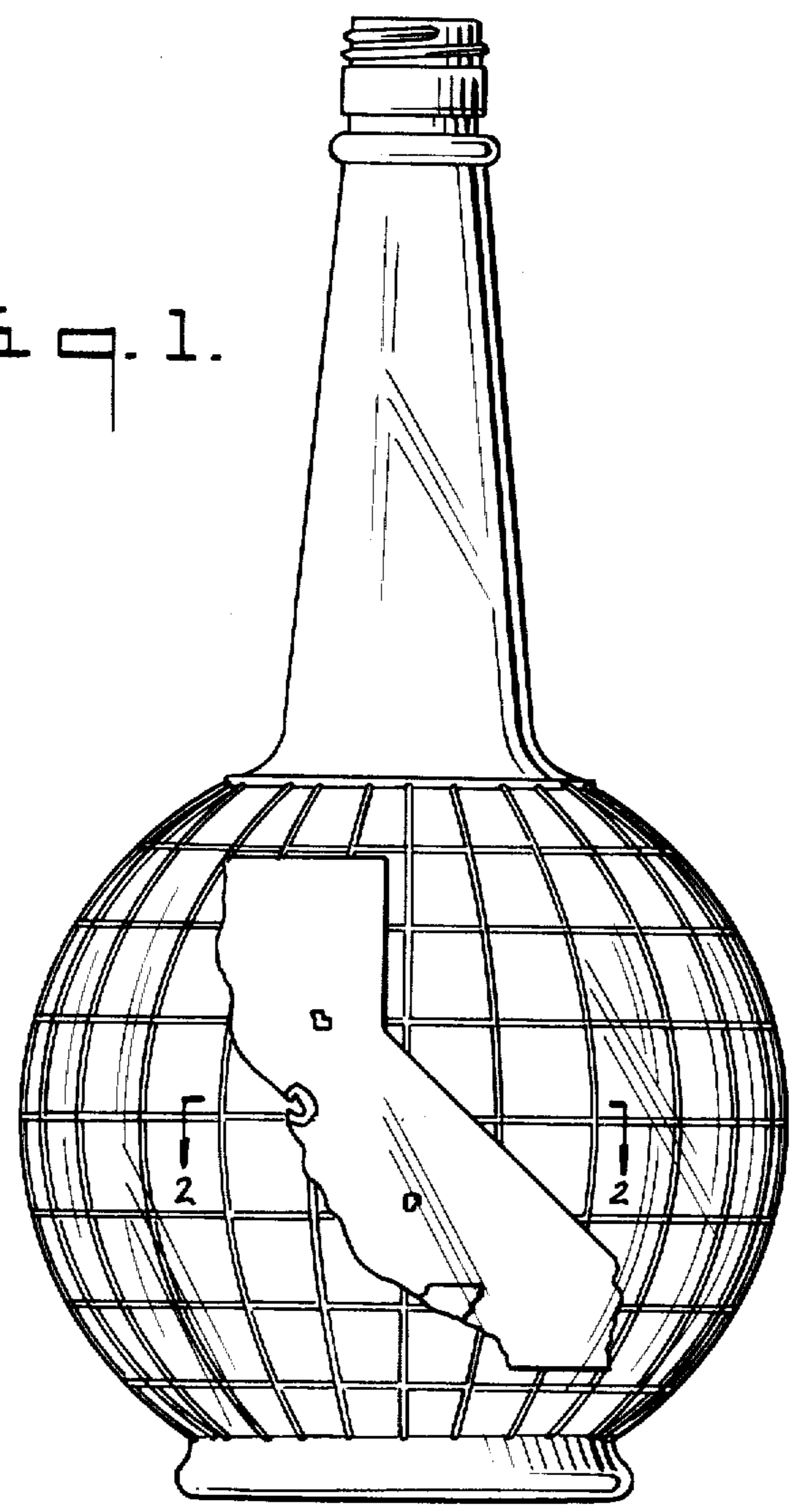


Fig. 3.

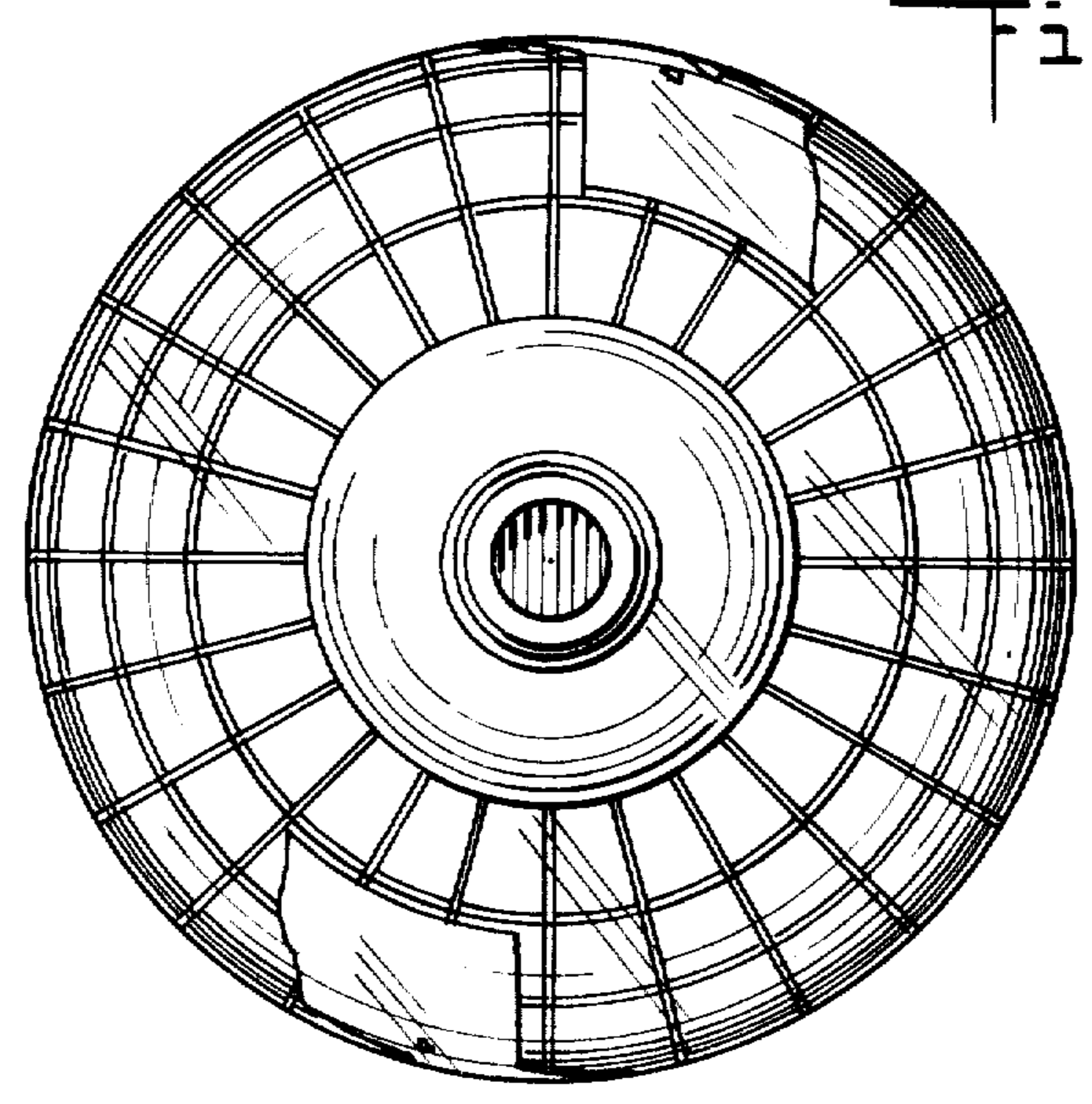


Fig. 2.

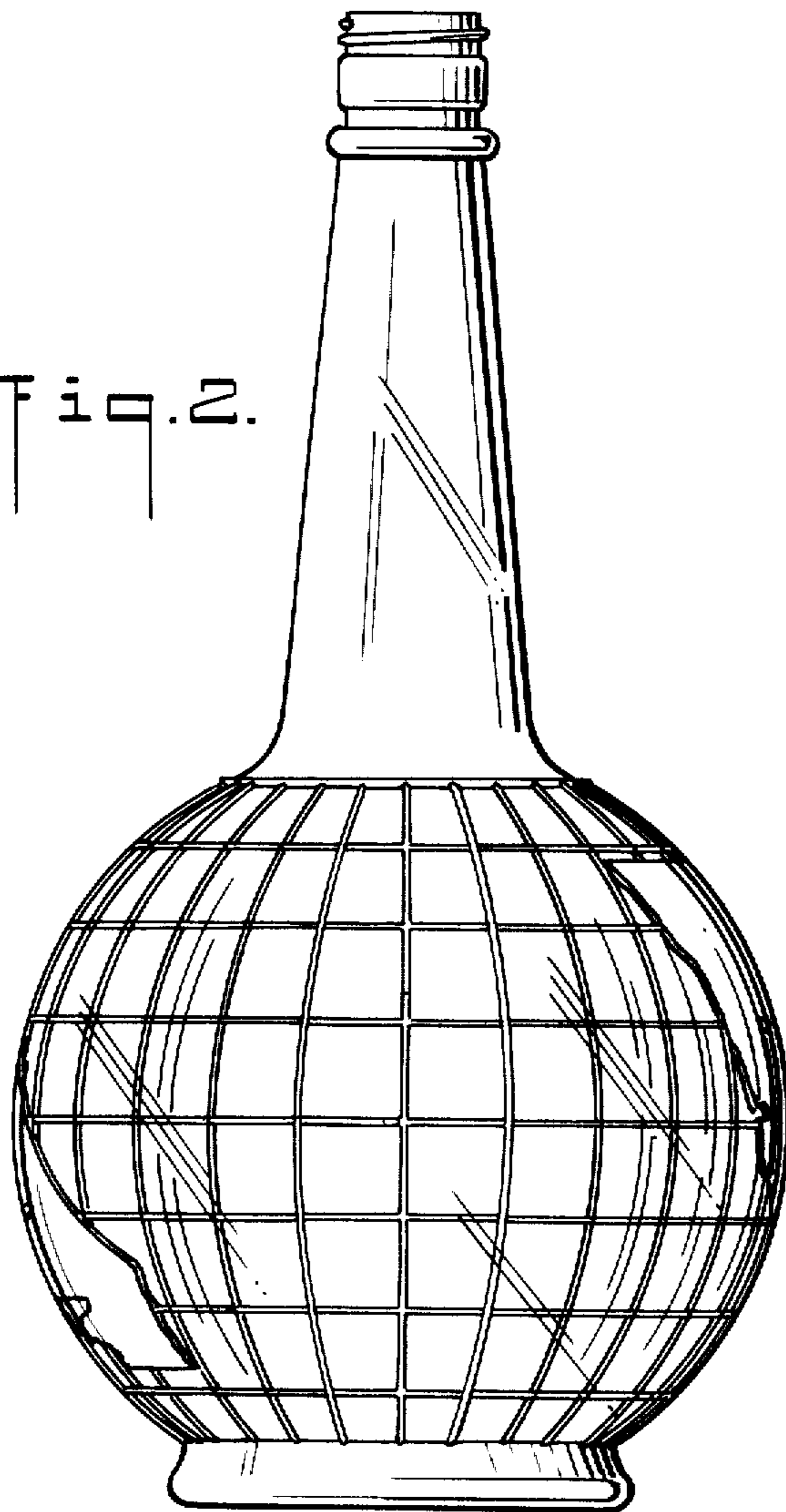


Fig. 4.

