

[54] COOKING APPLIANCE OR SIMILAR ARTICLE

[75] Inventor: John Downey, Willowdale, Canada

[73] Assignee: AMC Appliances, Weston, Canada

[**] Term: 14 Years

[21] Appl. No.: 29,711

[22] Filed: Apr. 11, 1979

[30] Foreign Application Priority Data

Jan. 22, 1979 [CA] Canada 22-01-79-1

[51] Int. Cl. D7-02

[52] U.S. Cl. D7/87; D7/121; D7/122; D7/123; D7/125

[58] Field of Search D7/87, 121-125; 99/422, 425, 444, 446

[56] References Cited

U.S. PATENT DOCUMENTS

- D. 127,120 5/1941 Woodman D7/121 X
- D. 183,341 8/1958 Chiasione D7/87
- D. 184,764 3/1959 Painter D7/87

OTHER PUBLICATIONS

Electrical Merchandising—Nov. 1, 1947—p. 121—Hollywood Electric Table Grill.

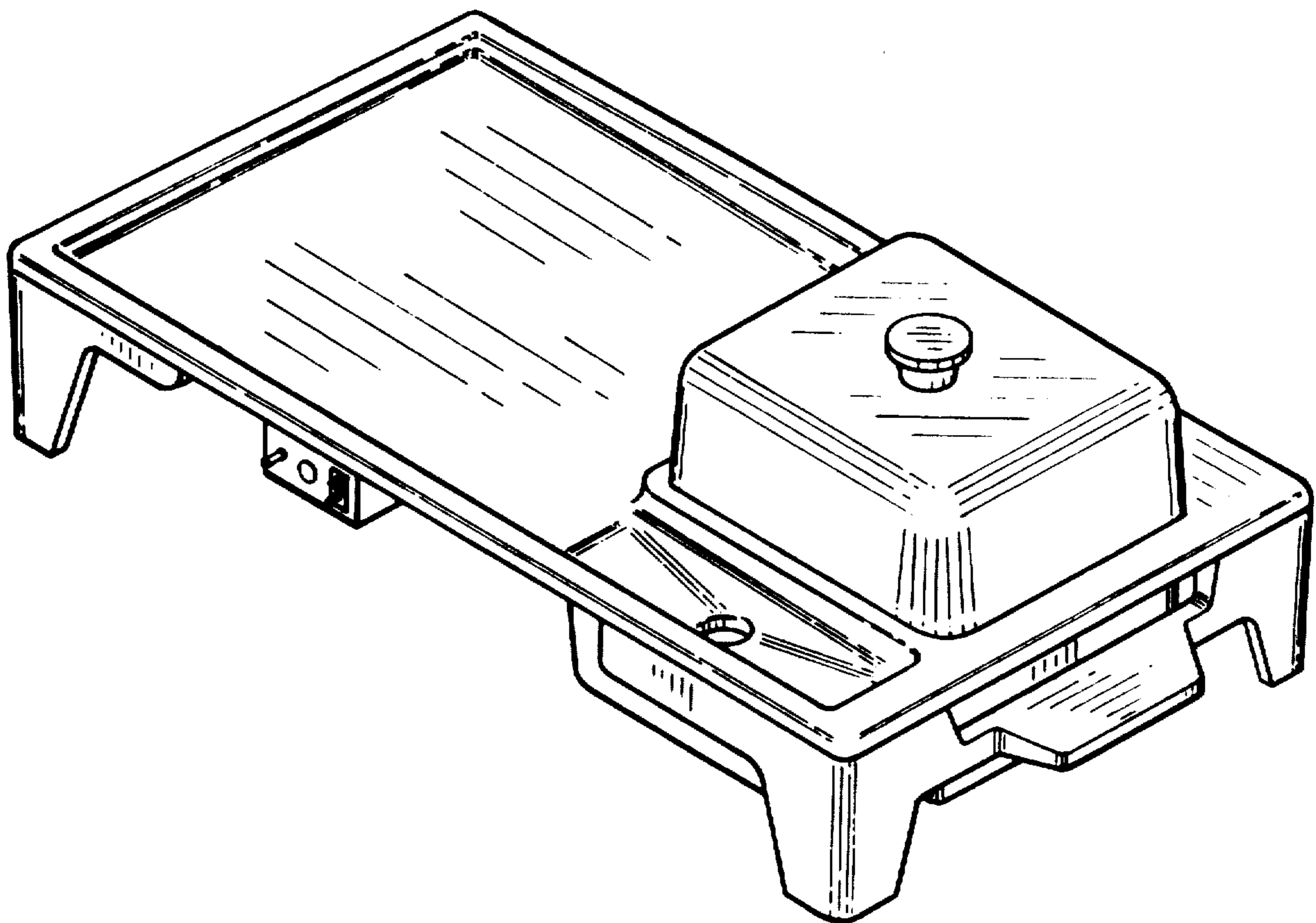
Primary Examiner—Catherine E. Kemper
Attorney, Agent, or Firm—Neuman, Williams, Anderson & Olson

[57] CLAIM

The ornamental design for a cooking appliance or similar article, as shown.

DESCRIPTION

FIG. 1 is a perspective view of a cooking appliance showing my new design;
FIG. 2 is a front elevational view thereof;
FIG. 3 is a right side elevational view thereof; and
FIG. 4 is a plan view thereof.



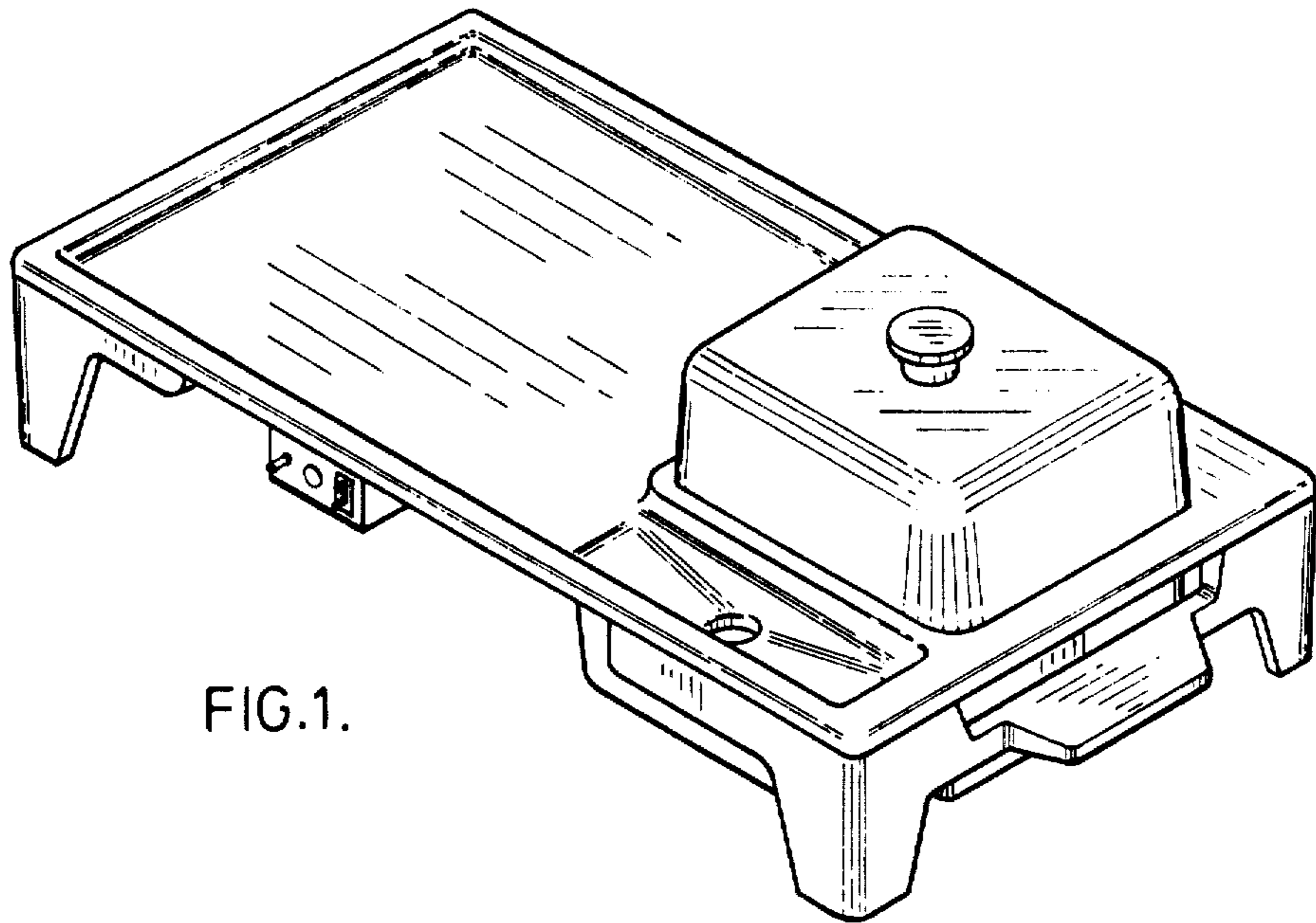


FIG. 1.

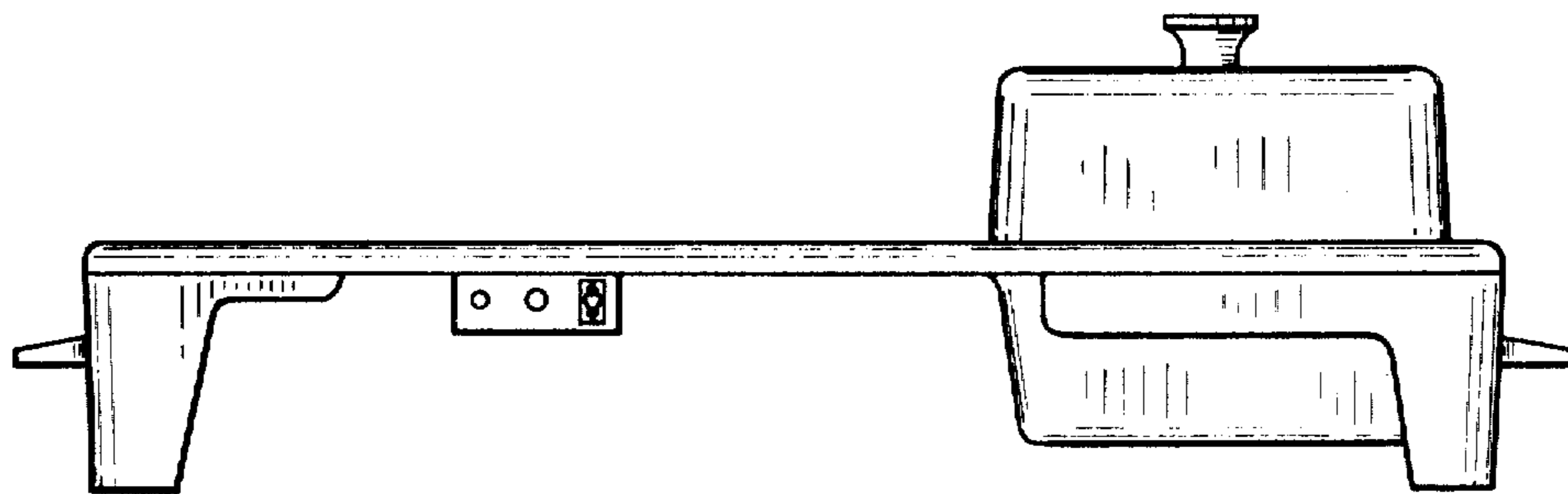


FIG. 2.

FIG. 3.

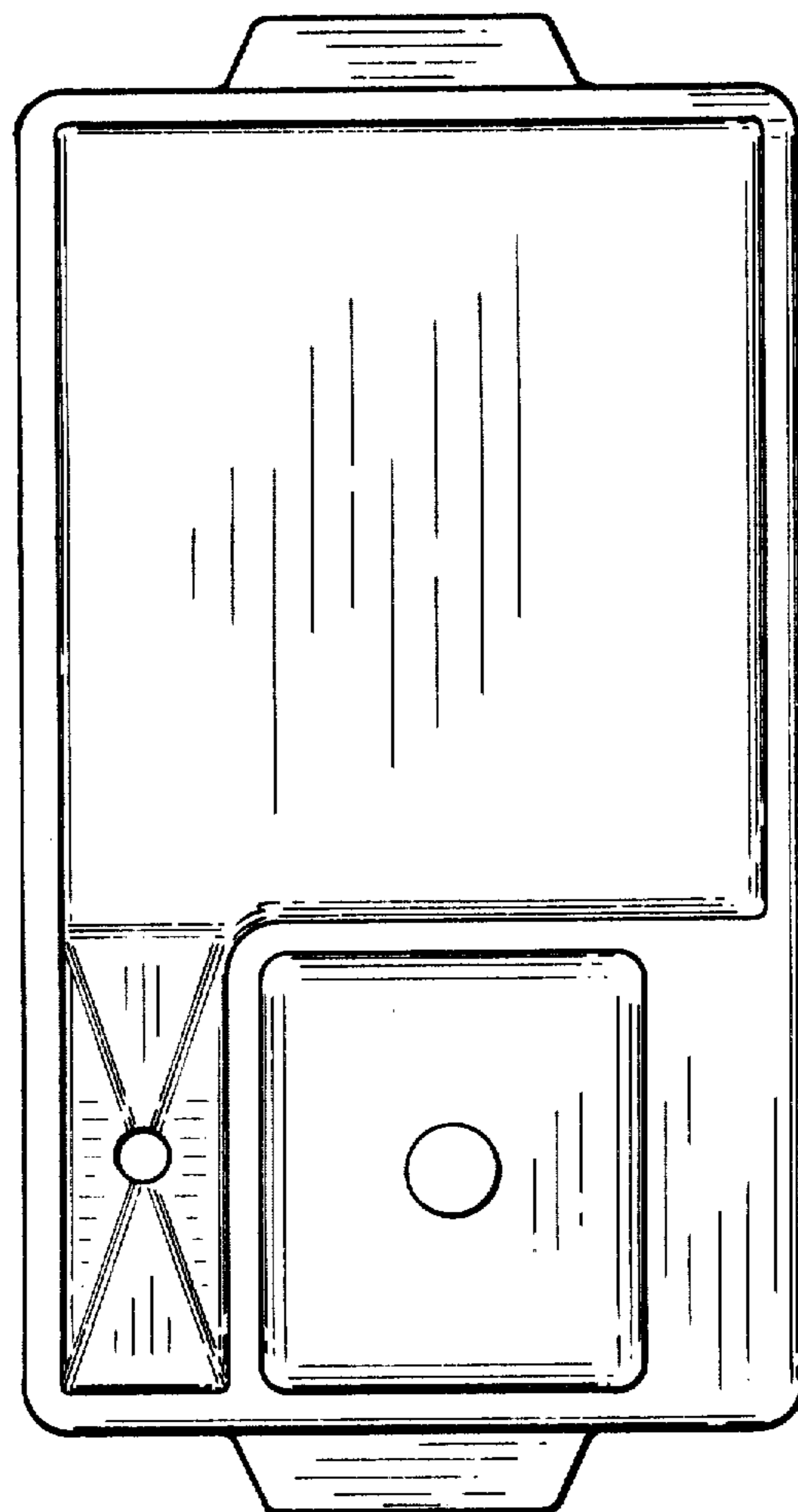
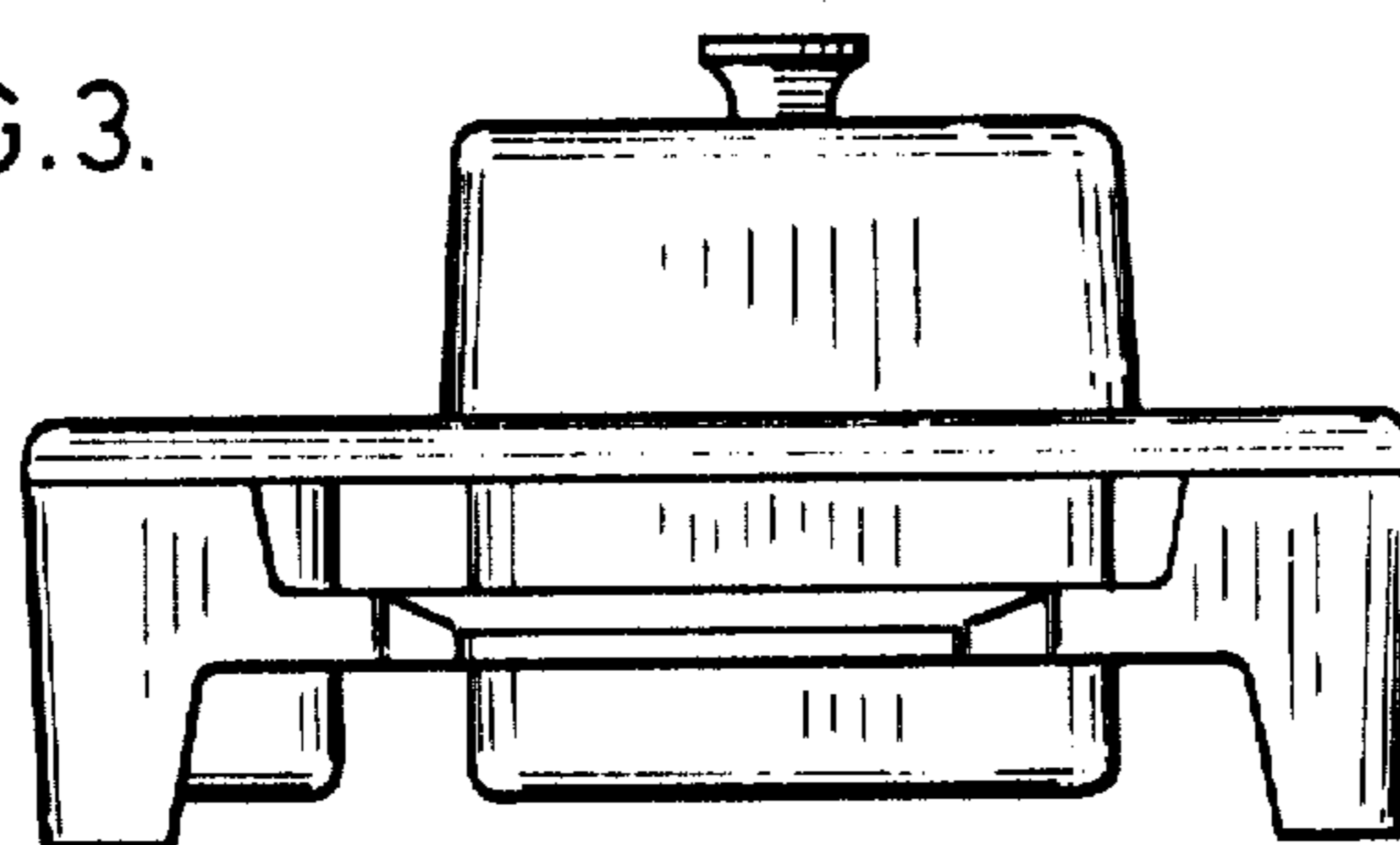


FIG. 4.

UNITED STATES PATENT AND TRADEMARK OFFICE
CERTIFICATE OF CORRECTION

PATENT NO. : DES 266,731
DATED : November 2, 1982
INVENTOR(S) : John H. Downey

It is certified that error appears in the above-identified patent and that said Letters Patent are hereby corrected as shown below:

On the title page

Under "References Cited" add Canadian Patent No. 44,188,
Issued 2/11/82 - Frying Pan and Heater Combination. Correct
the Assignee to read:-- Algonquin Mercantile Corporation,
Weston, Ontario --.

Signed and Sealed this

Tenth Day of May 1983

[SEAL]

Attest:

GERALD J. MOSSINGHOFF

Attesting Officer

Commissioner of Patents and Trademarks