

- [54] SAUCER
- [75] Inventor: Alfred Blake, Hillsdale, N.J.
- [73] Assignee: American Commercial Incorporated, Gardena, Calif.
- [\*\*] Term: 14 Years
- [21] Appl. No.: 154,751
- [22] Filed: May 30, 1980
- [51] Int. Cl. .... D07-01
- [52] U.S. Cl. .... D7/30
- [58] Field of Search ..... D7/27, 29, 30, 31, 32, D7/23, 26, 33, 34, 35, 36, 39; D64/2 R; D92/1 N, 1 BB, 1 Q

- D. 79,101 7/1929 Rhead ..... D7/30
- D. 79,668 10/1929 Robinson ..... D7/30

OTHER PUBLICATIONS

*Tableware International*, Aug., 1977, p. 16, Panel #4, Basket Weave style pattern, Dishes shown, bottom r. panel.

*Primary Examiner*—Winifred E. Herrmann  
*Attorney, Agent, or Firm*—Daley & Brandt

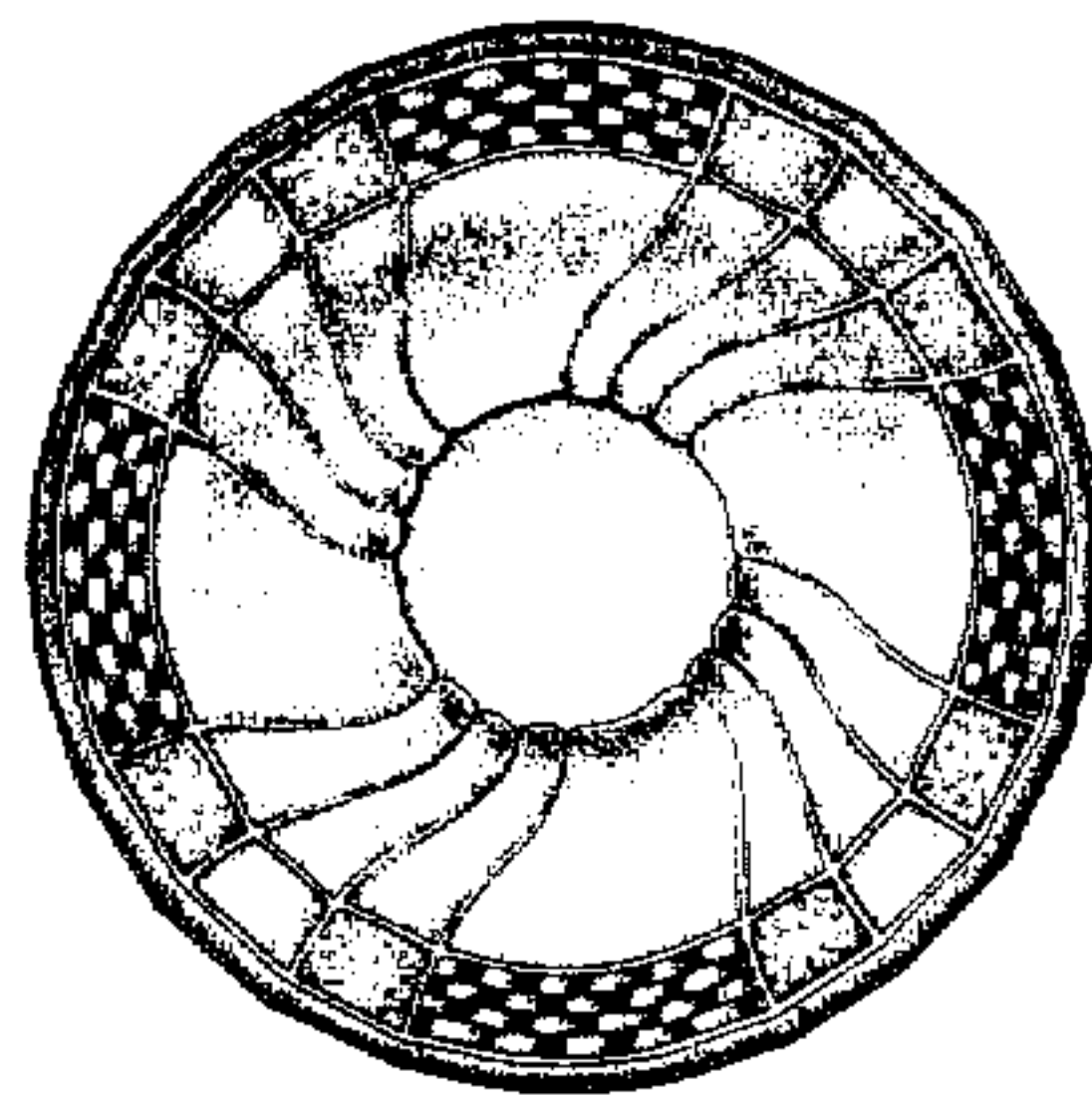
CLAIM

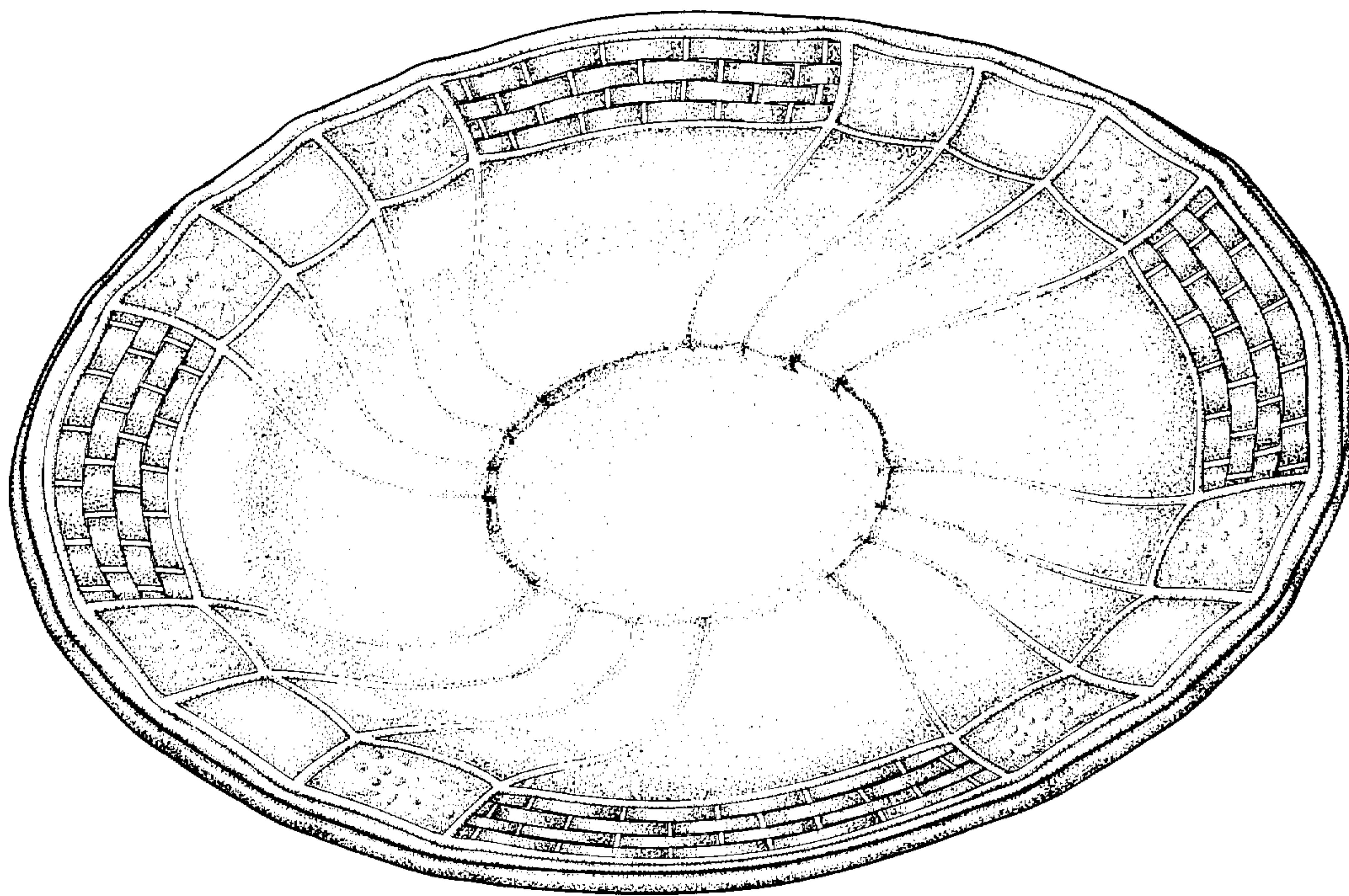
The ornamental design for a saucer, as shown and described.

DESCRIPTION

FIG. 1 is a perspective view of a saucer showing my new design;  
 FIG. 2 is a side elevational view thereof, the opposite side and the adjacent end sides being substantially similar thereto;  
 FIG. 3 is a top plan view thereof shown on a reduced scale from that used in FIGS. 1 and 2 ; and  
 FIG. 4 is a bottom plan view thereof shown to the same scale as used in FIG. 3.

- [56] **References Cited**
- U.S. PATENT DOCUMENTS**
- D. 45,280 2/1914 Wigley ..... D7/31
- D. 63,131 10/1923 Fiek ..... D7/30
- D. 70,221 5/1926 Goodwin ..... D7/26
- D. 76,557 10/1928 Sebring ..... D7/30
- D. 78,466 5/1929 Hagmann ..... D7/30



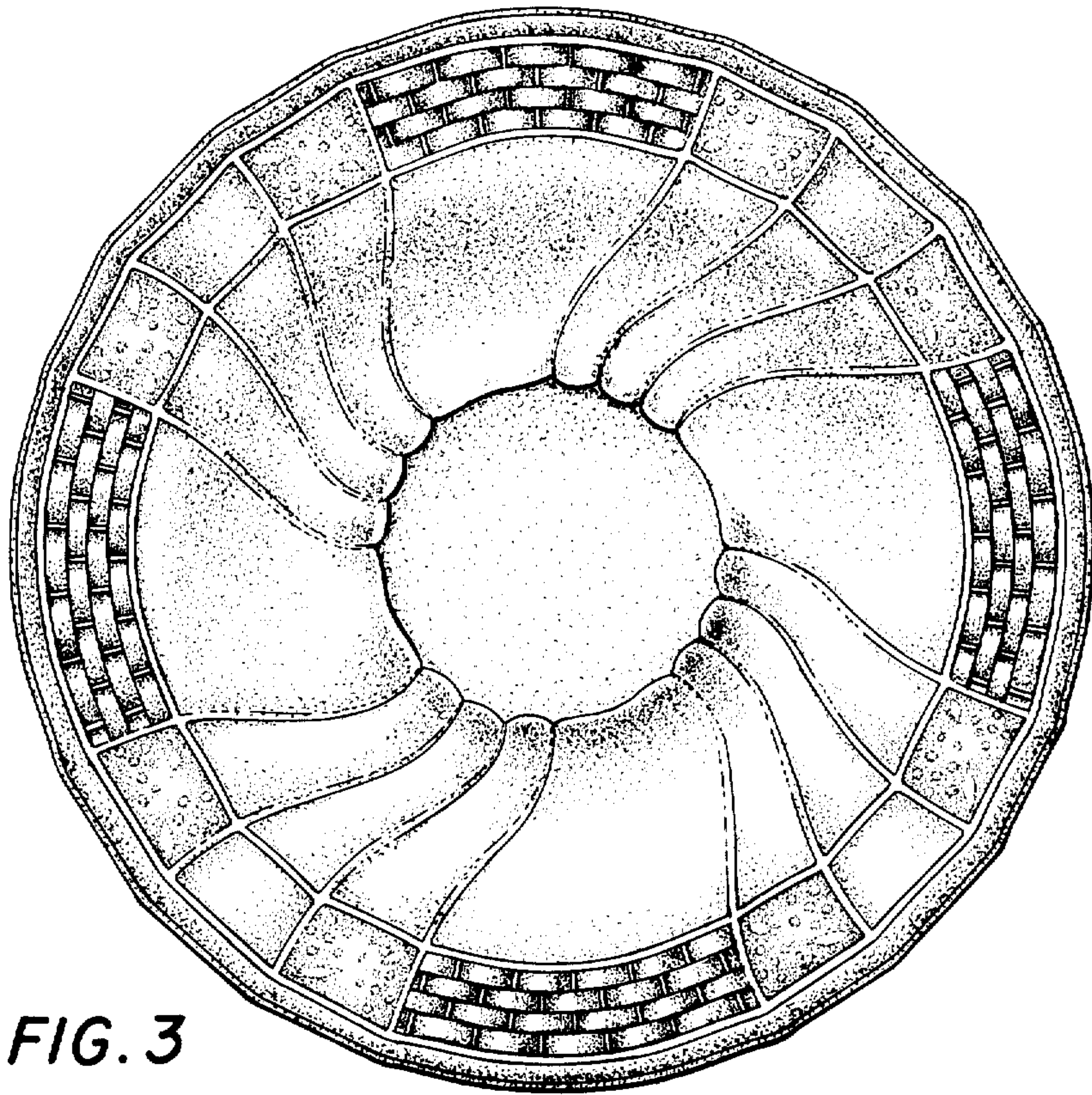


*FIG. 1*

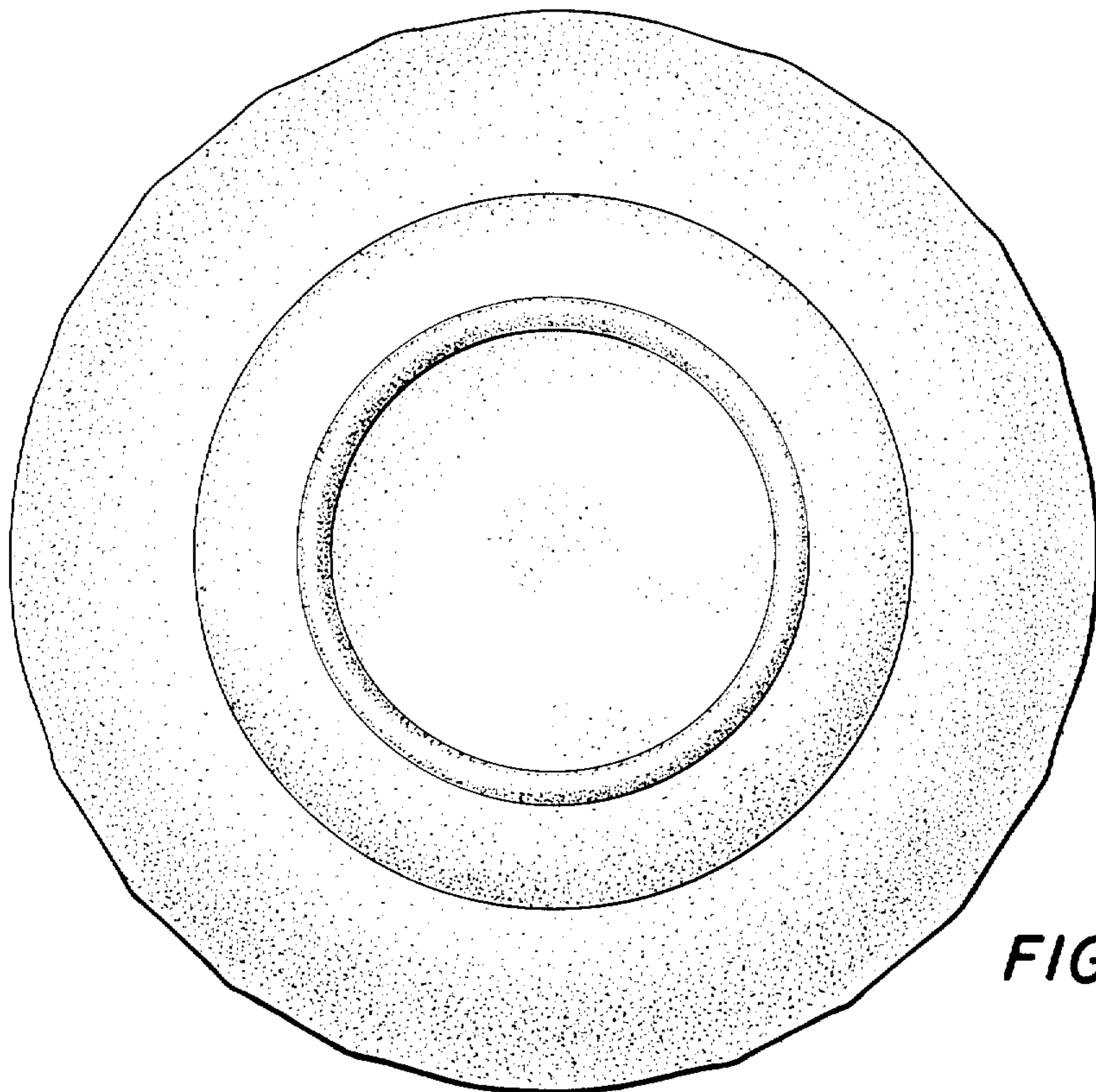


*FIG. 2*





**FIG. 3**



**FIG. 4**