

[54] COMBINED WRITING TABLET AND SUPPORT ARM THEREFOR

[75] Inventor: Richard B. Hopkins, Pennsburg, Pa.

[73] Assignee: Knoll International, Inc., New York, N.Y.

[**] Term: 14 Years

[21] Appl. No.: 919,404

[22] Filed: Jun. 26, 1978

[51] Int. Cl. D6-06

[52] U.S. Cl. D6/191

[58] Field of Search D6/20, 26, 30, 31, 42, D6/45

[56] References Cited

U.S. PATENT DOCUMENTS

- D. 199,027 9/1964 Conde D6/42
- 3,197,254 7/1965 Hendrickson 297/162
- 3,223,450 12/1965 Pollock D6/31 X

OTHER PUBLICATIONS

"Varsity" by American Seating, p. 1, Desk No. 542.

"Quadraline" by American Desk, p. 13, Trapezoidal Table.

Primary Examiner—Bruce W. Dunkins
Attorney, Agent, or Firm—Robert Scobey

[57] CLAIM

The ornamental design for a combined writing tablet and support arm therefor, as shown and described.

DESCRIPTION

FIG. 1 is a perspective view of a combined writing tablet and support arm therefor showing my design;

FIG. 2 is a side perspective view wherein portions of the support arm have been omitted for convenience of illustration;

FIG. 3 is a rear perspective view wherein portions of the support arm have been omitted for convenience of illustration;

FIG. 4 is a rear perspective view on an enlarged scale showing the tablet pivoted to an alternate position and wherein portions of the support arm have been omitted for convenience of illustration; and

FIG. 5 is a rear elevational view of the writing tablet as shown in FIG. 4.

The design is characterized by the specifically configured writing tablet as best shown in FIGS. 1, 4 and 5.

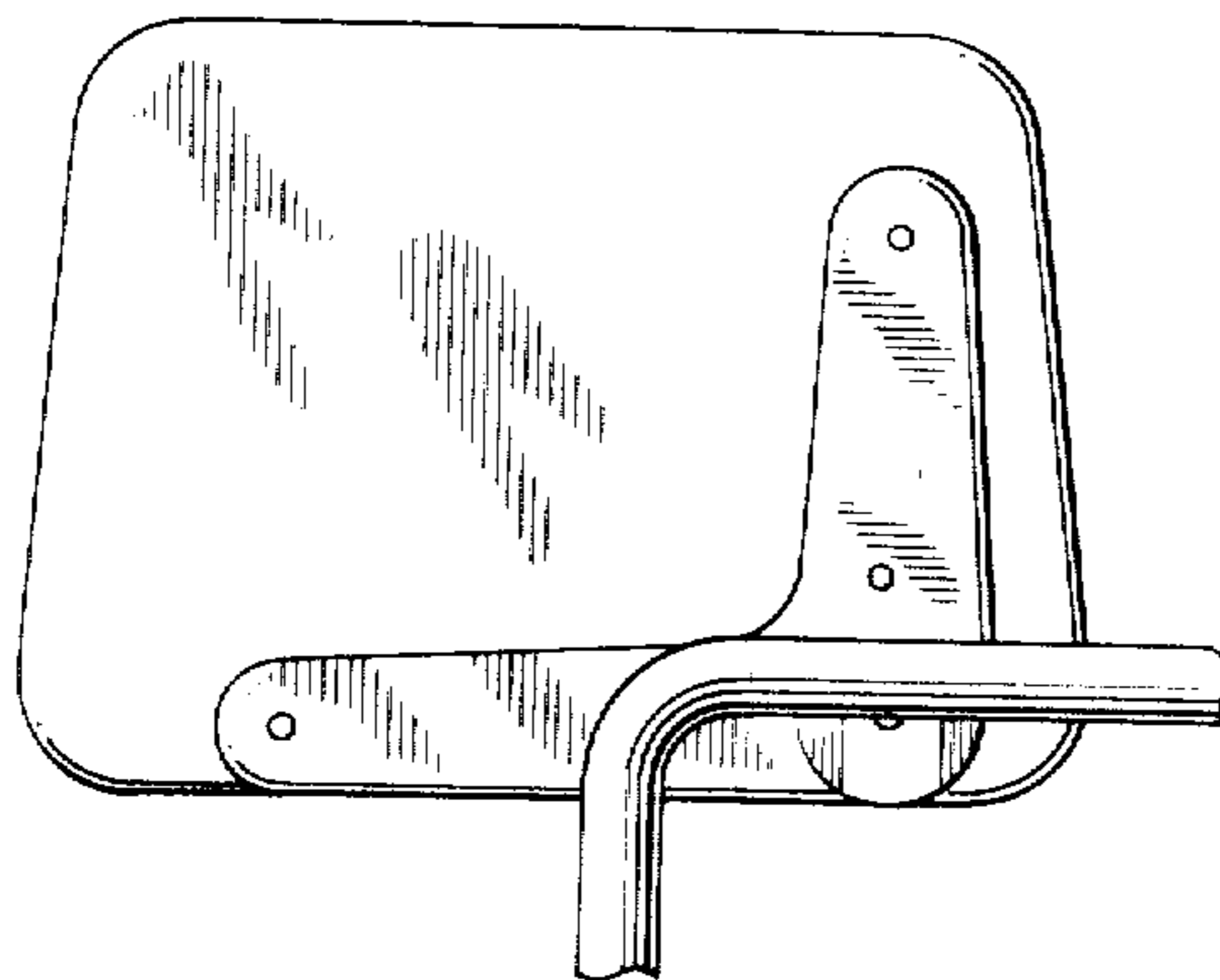
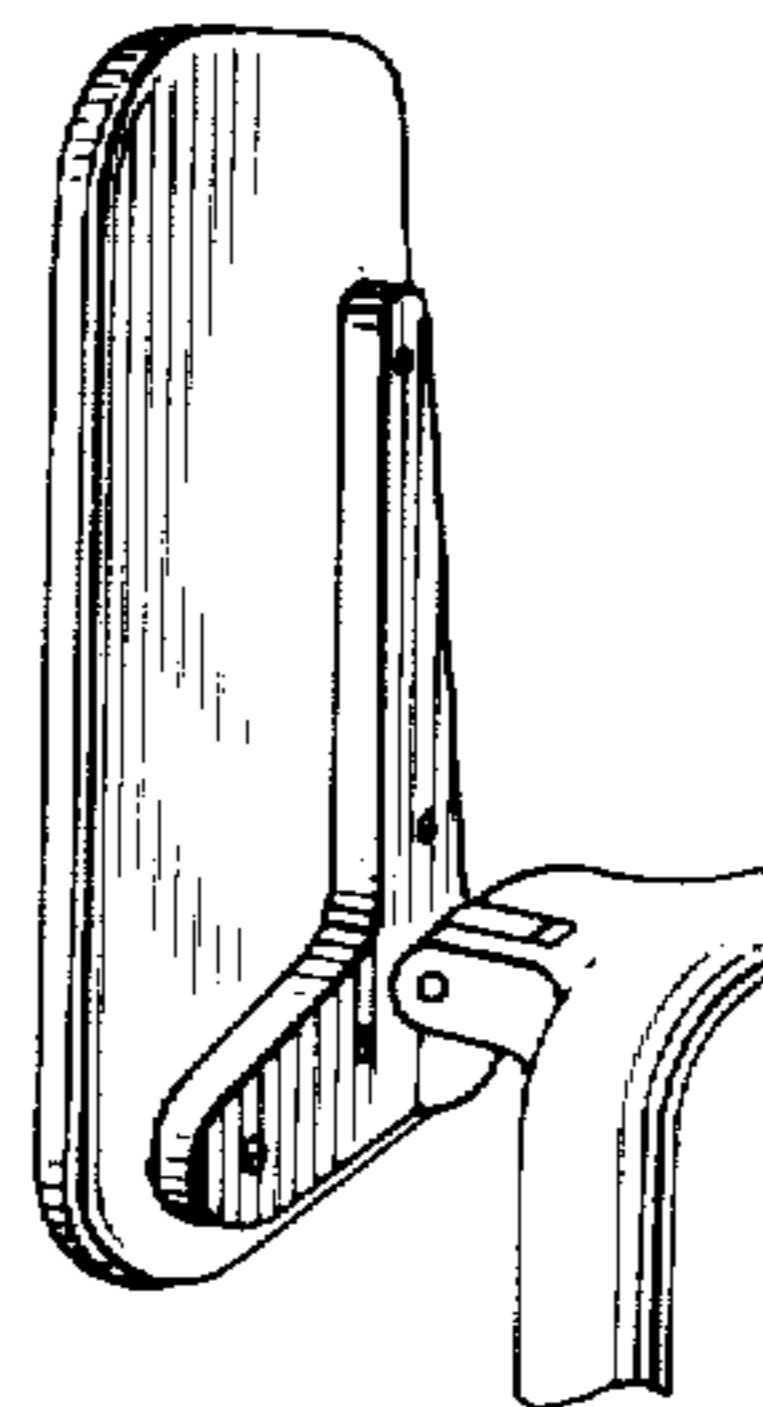


FIG. 1.

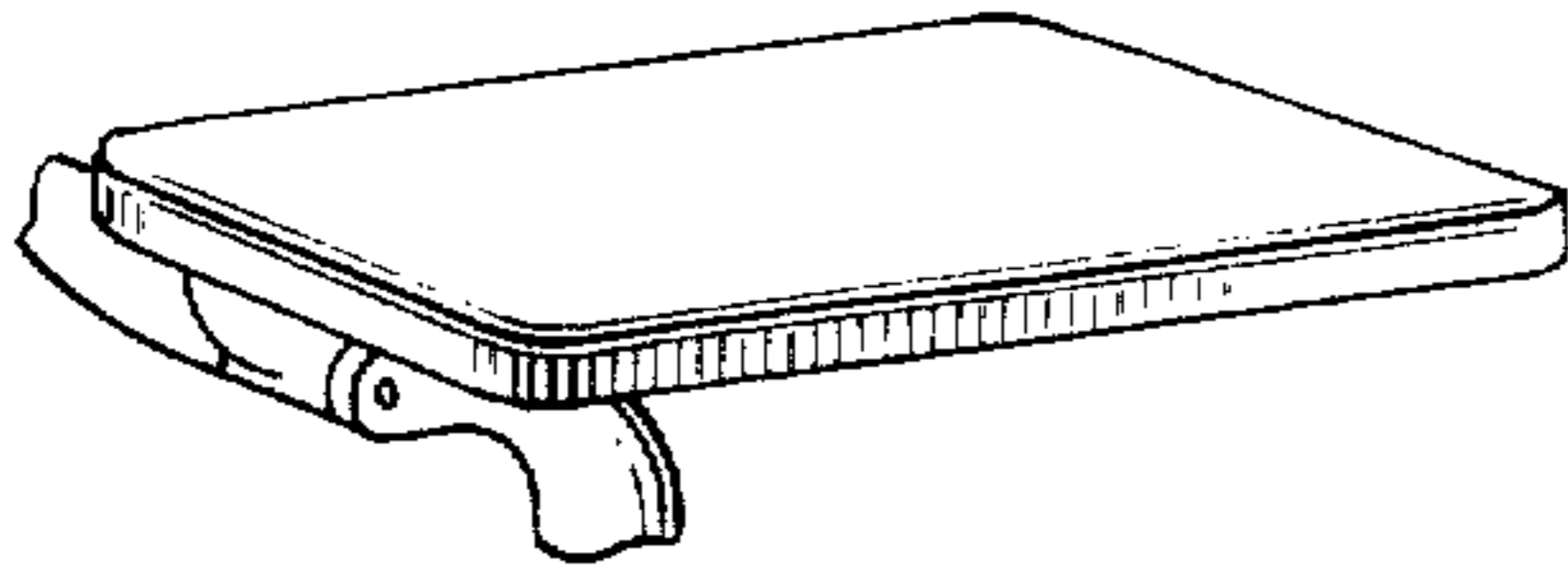


FIG. 2.

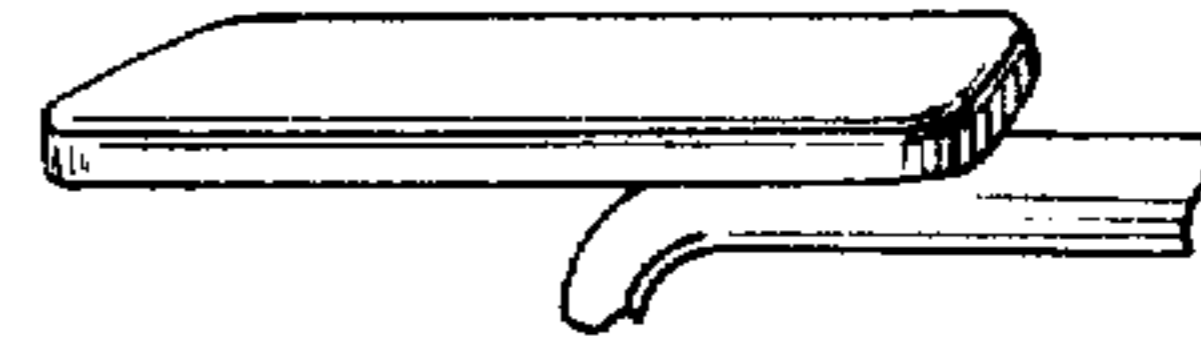


FIG. 3.

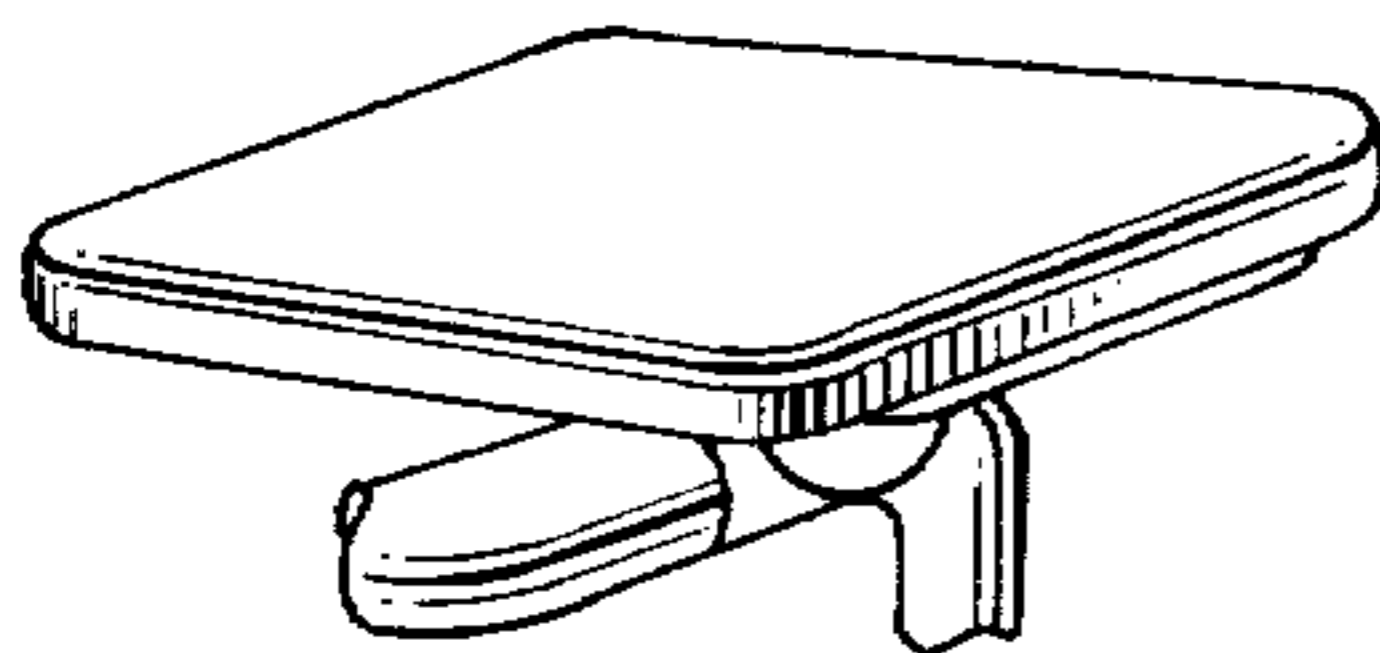


FIG. 4.

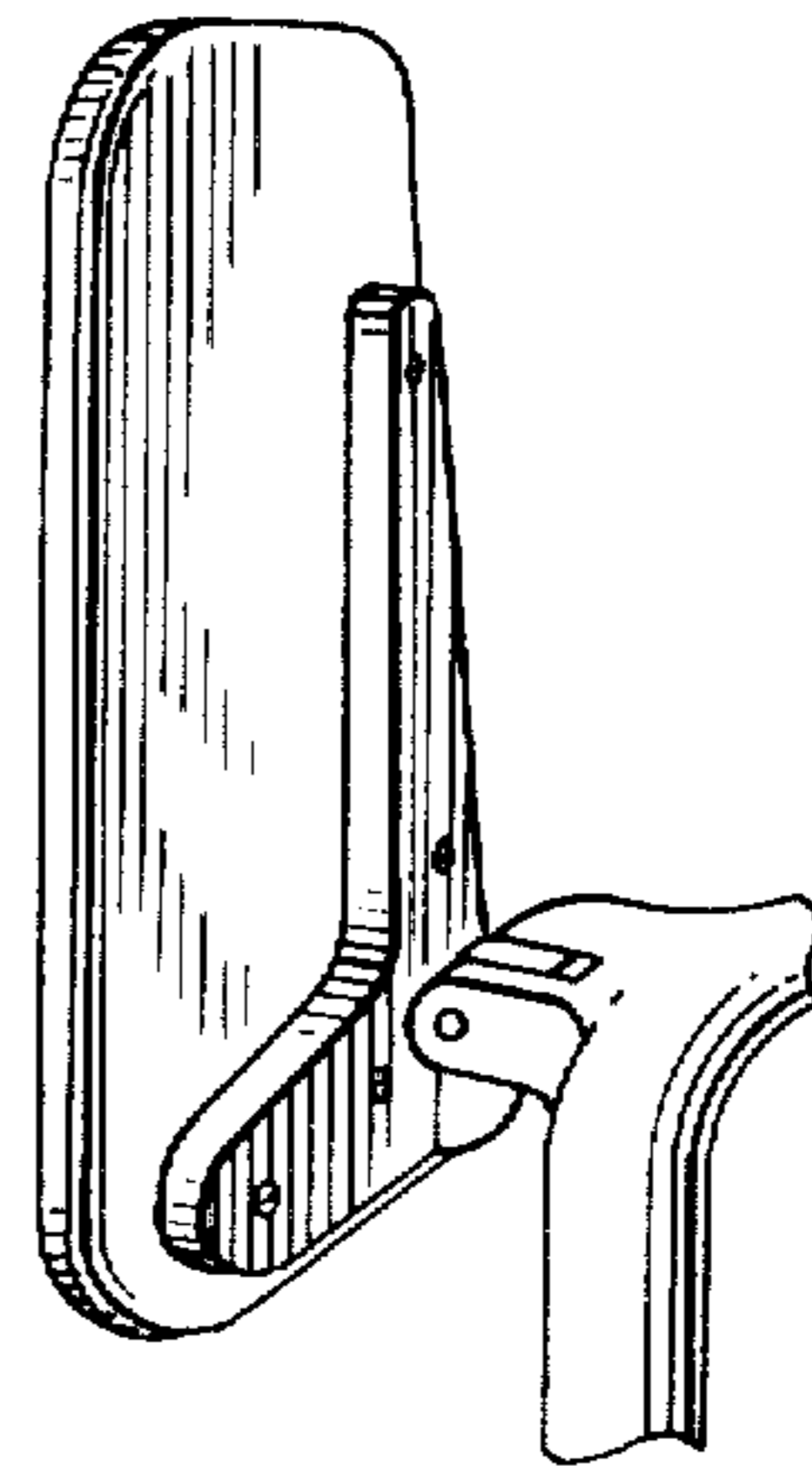


FIG. 5.

