

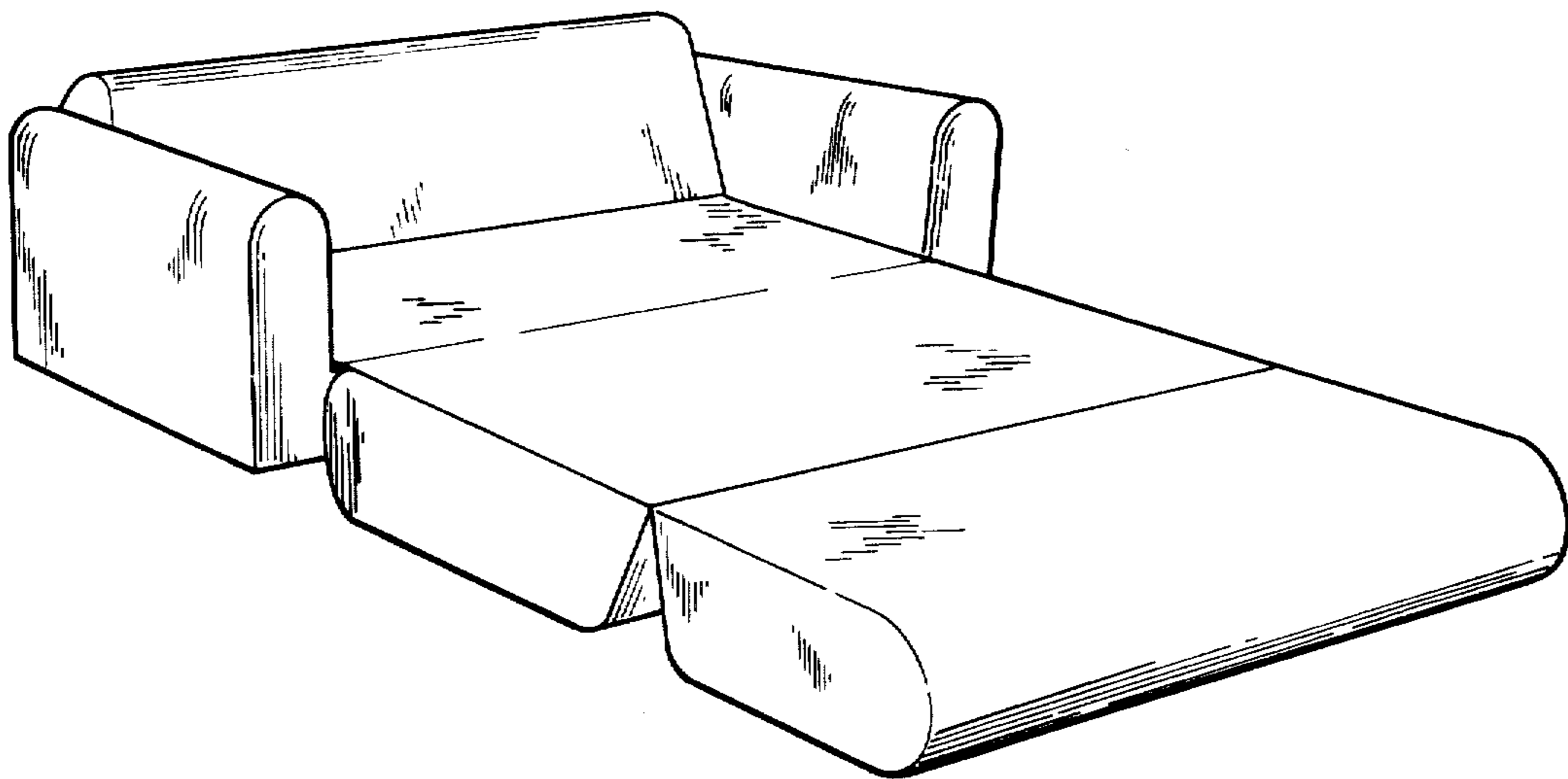
[54] **CONVERTIBLE SOFA**
[75] **Inventor:** Harry R. Tiffany, III, Spring City, Tenn.
[73] **Assignee:** Robert Tiffany Designs, Inc., Chattanooga, Tenn.
[*] **Notice:** The portion of the term of this patent subsequent to Jan. 26, 1996, has been disclaimed.
[**] **Term:** 14 Years
[21] **Appl. No.:** 7,389
[22] **Filed:** Jan. 29, 1979
[51] **Int. Cl.** D6—01
[52] **U.S. Cl.** D6/63; D6/64
[58] **Field of Search** D6/47-78;
5/12

[56] **References Cited**
U.S. PATENT DOCUMENTS
D. 246,143 10/1977 Nash D6/63

OTHER PUBLICATIONS
Furniture South Cat., 4-1973, p. 108, Convertible Sofa by Artisan's Guild.
Primary Examiner—Bruce W. Dunkins
Attorney, Agent, or Firm—Alan Ruderman

[57] **CLAIM**
The ornamental design for a convertible sofa, substantially as shown.

DESCRIPTION
FIG. 1 is a front perspective view of a convertible sofa in the seating condition embodying my new design; FIG. 2 is a rear perspective view thereof; and FIG. 3 is a front perspective view of the sofa in the sleeper condition.



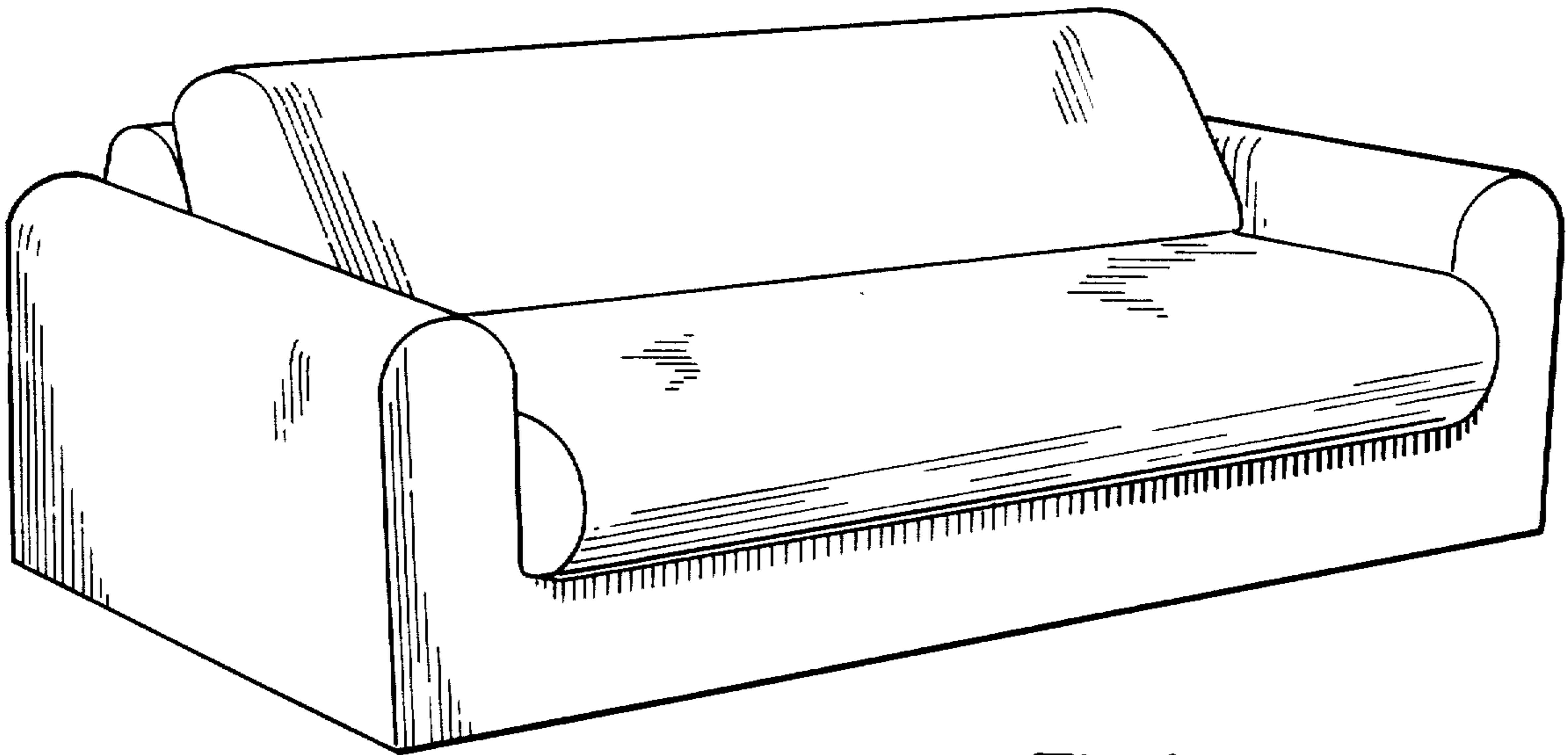


Fig. 1

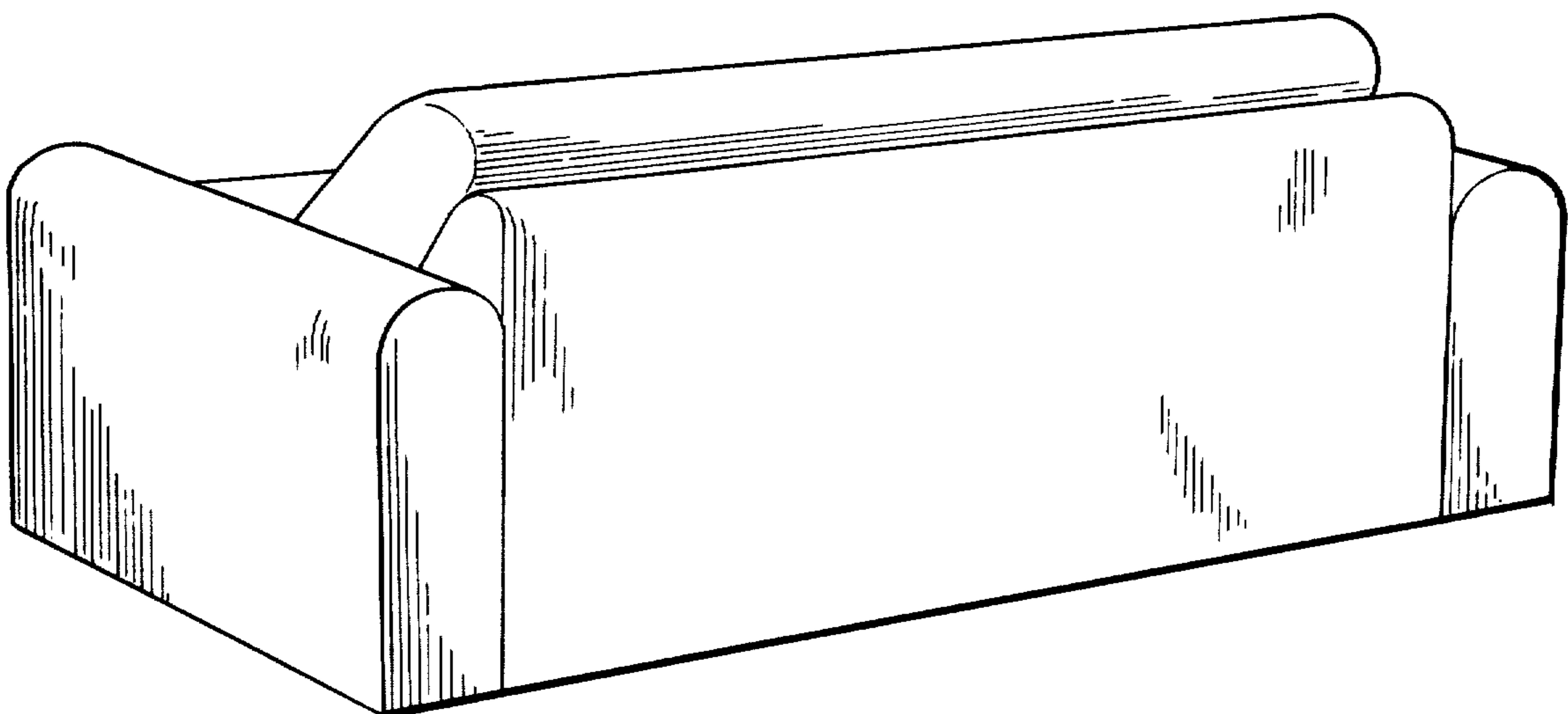


Fig. 2

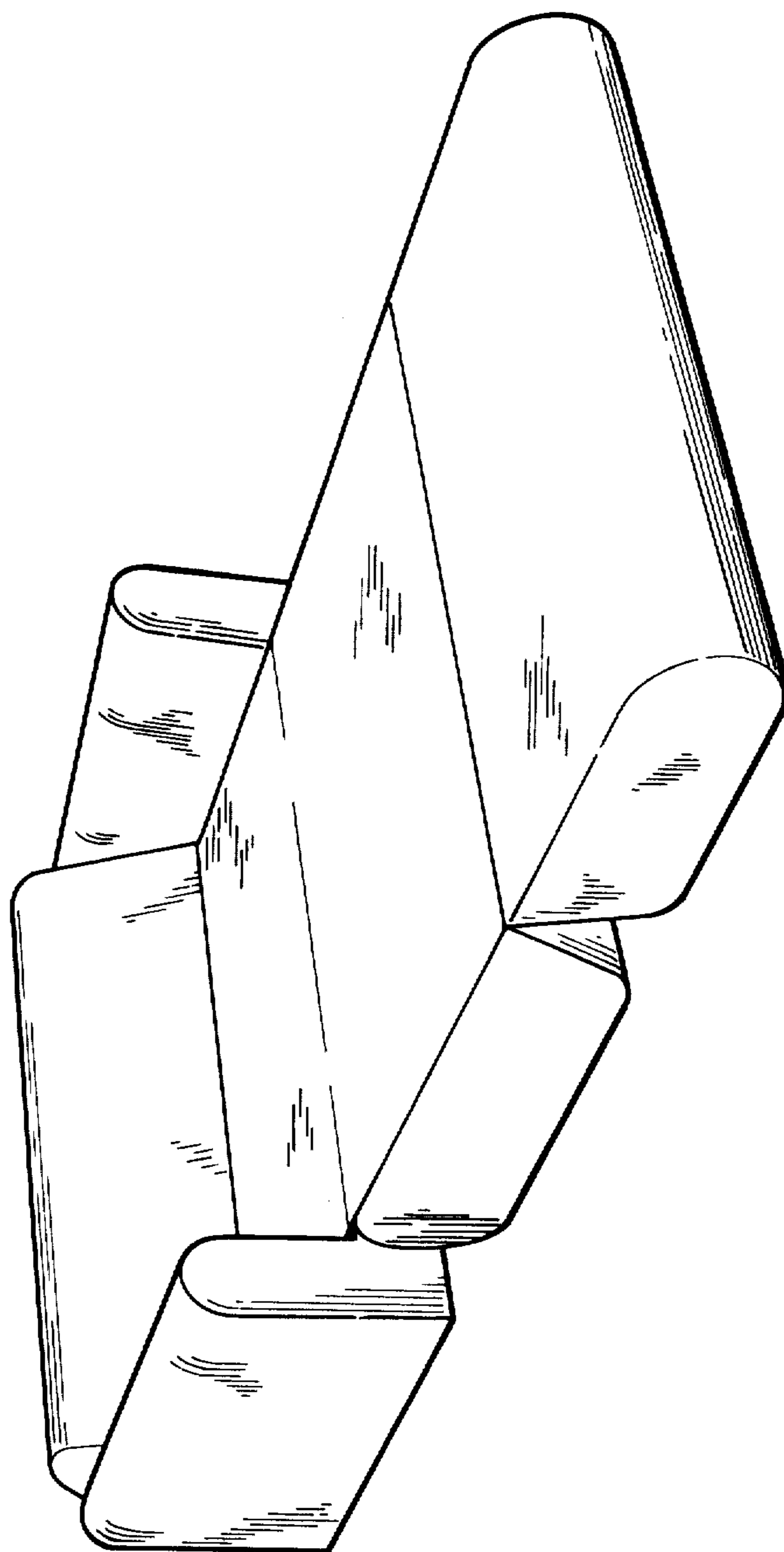


Fig. 3