

[54] **ELECTRONIC STATIC ELIMINATOR**

[75] Inventor: **Masahiro Karaki, Osaka, Japan**

[73] Assignee: **Matsushita Electric Industrial Co., Ltd., Osaka, Japan**

[**] Term: **14 Years**

[21] Appl. No.: **145,088**

[22] Filed: **Apr. 30, 1980**

[30] **Foreign Application Priority Data**

Nov. 2, 1979 [JP] Japan 54-46215

[51] Int. Cl. **D7-05; D14-99**

[52] U.S. Cl. **D32/01; D14/25; D32/35**

[58] Field of Search **D32/1, 35; D14/25; 361/212, 221; 369/72, 73, 74**

[56] **References Cited**

U.S. PATENT DOCUMENTS

2,582,939	1/1952	Frederick	361/212 X
2,991,331	7/1961	Ross	369/73
4,083,073	4/1978	Bernardini	361/212 X
4,139,201	2/1979	English	361/212 X
4,255,776	3/1981	Cantelli	361/213

Primary Examiner—Catherine E. Kemper
Attorney, Agent, or Firm—Sughrue, Mion, Zinn, Macpeak & Seas

[57] **CLAIM**

The ornamental design for an electronic static eliminator, as shown.

DESCRIPTION

FIG. 1 is a top, rear and right side perspective view of an electronic static eliminator showing my new design; FIG. 2 is a right side elevational view thereof; FIG. 3 is a top plan view thereof; FIG. 4 is a bottom plan view thereof; and FIG. 5 is a front, bottom and left side perspective view thereof.

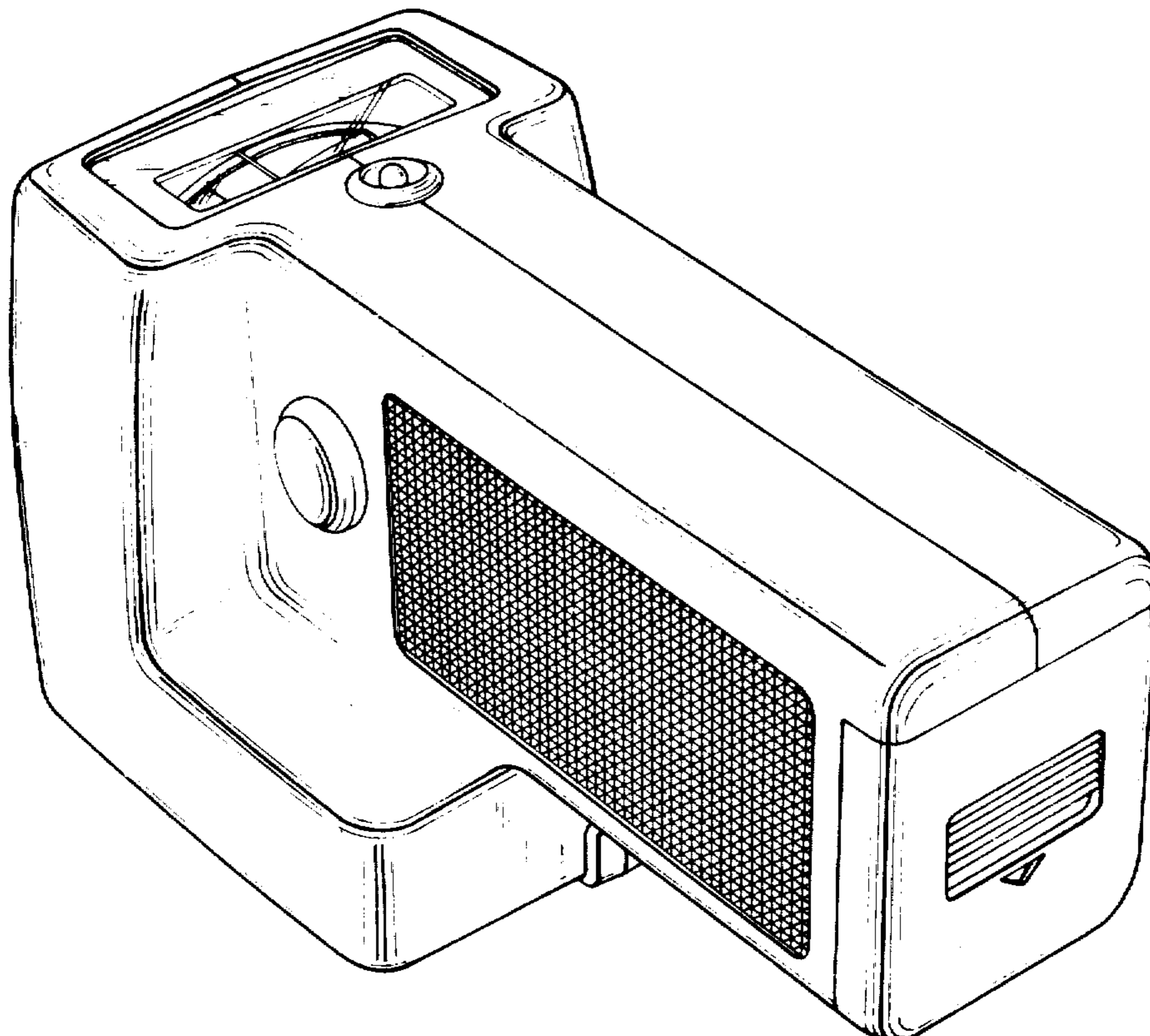


FIG. 1

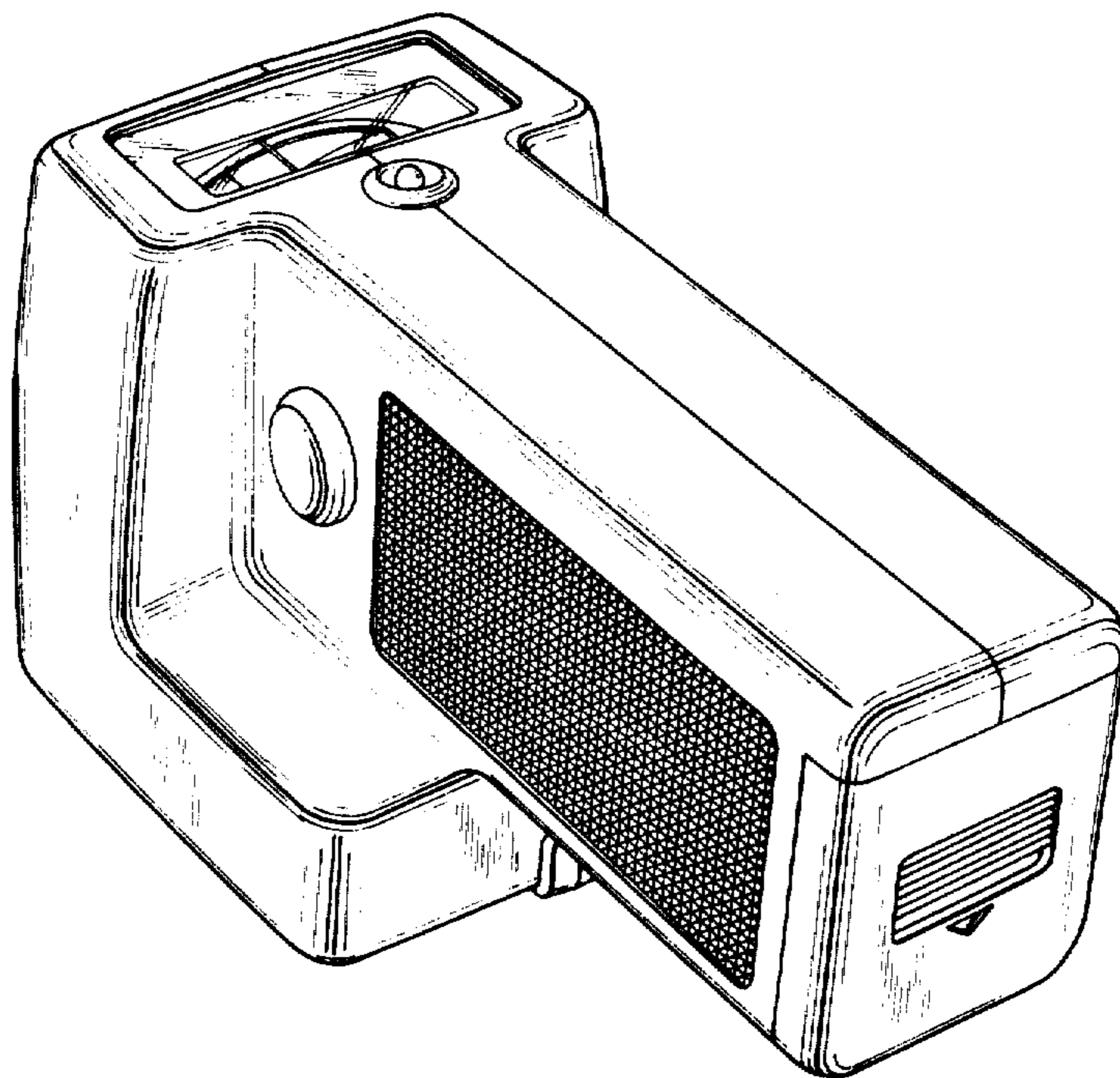


FIG. 2

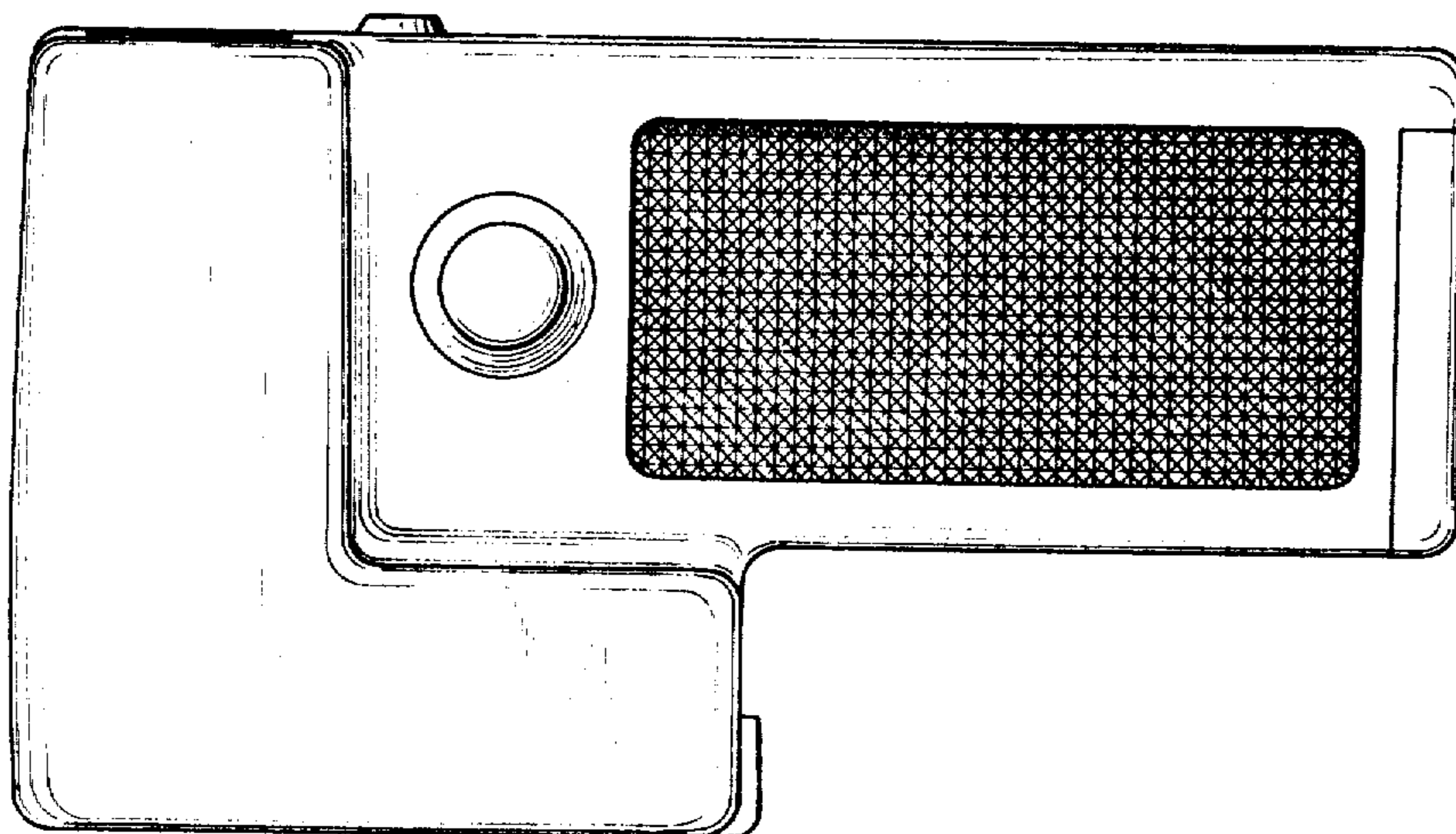


FIG. 3

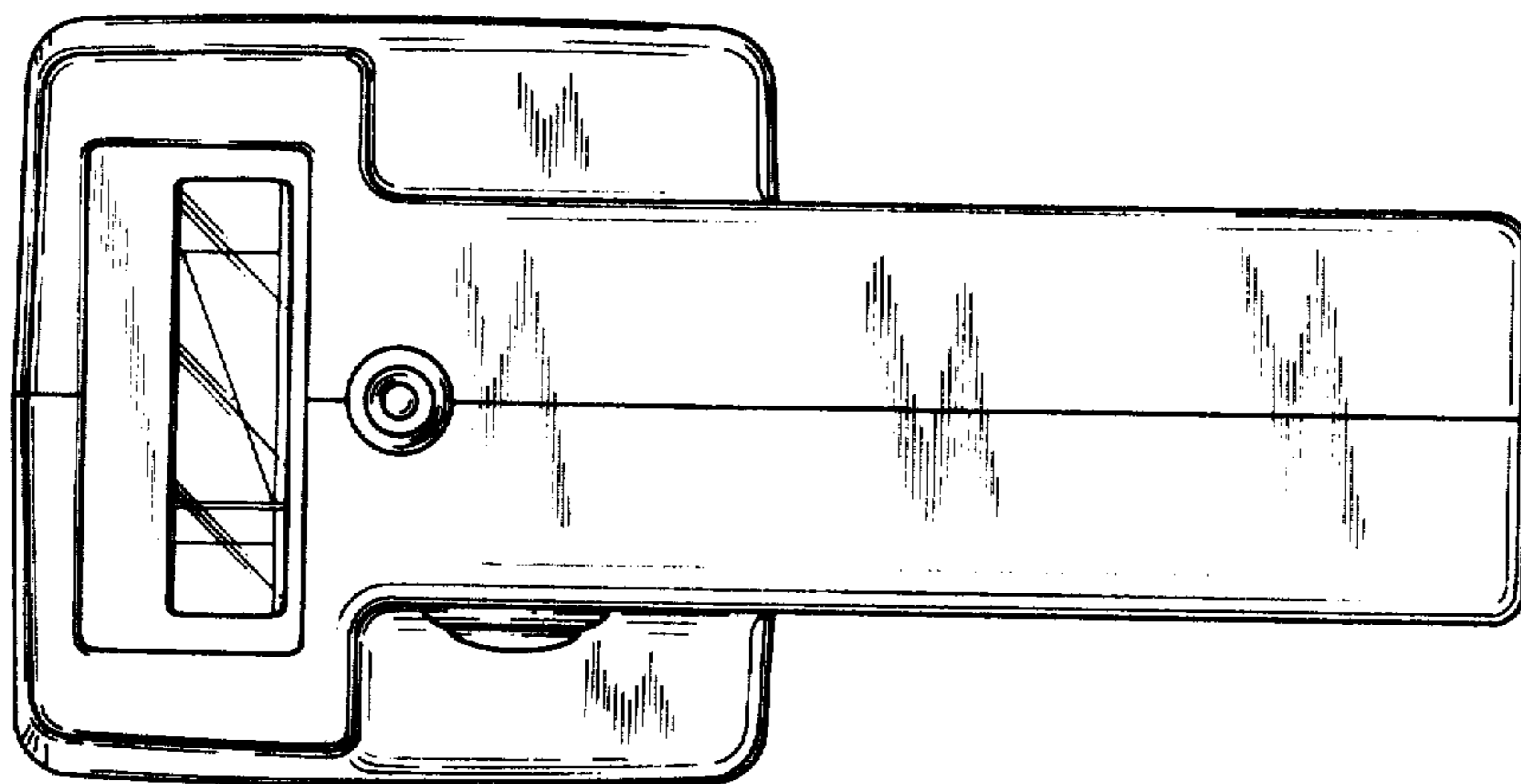


FIG. 4

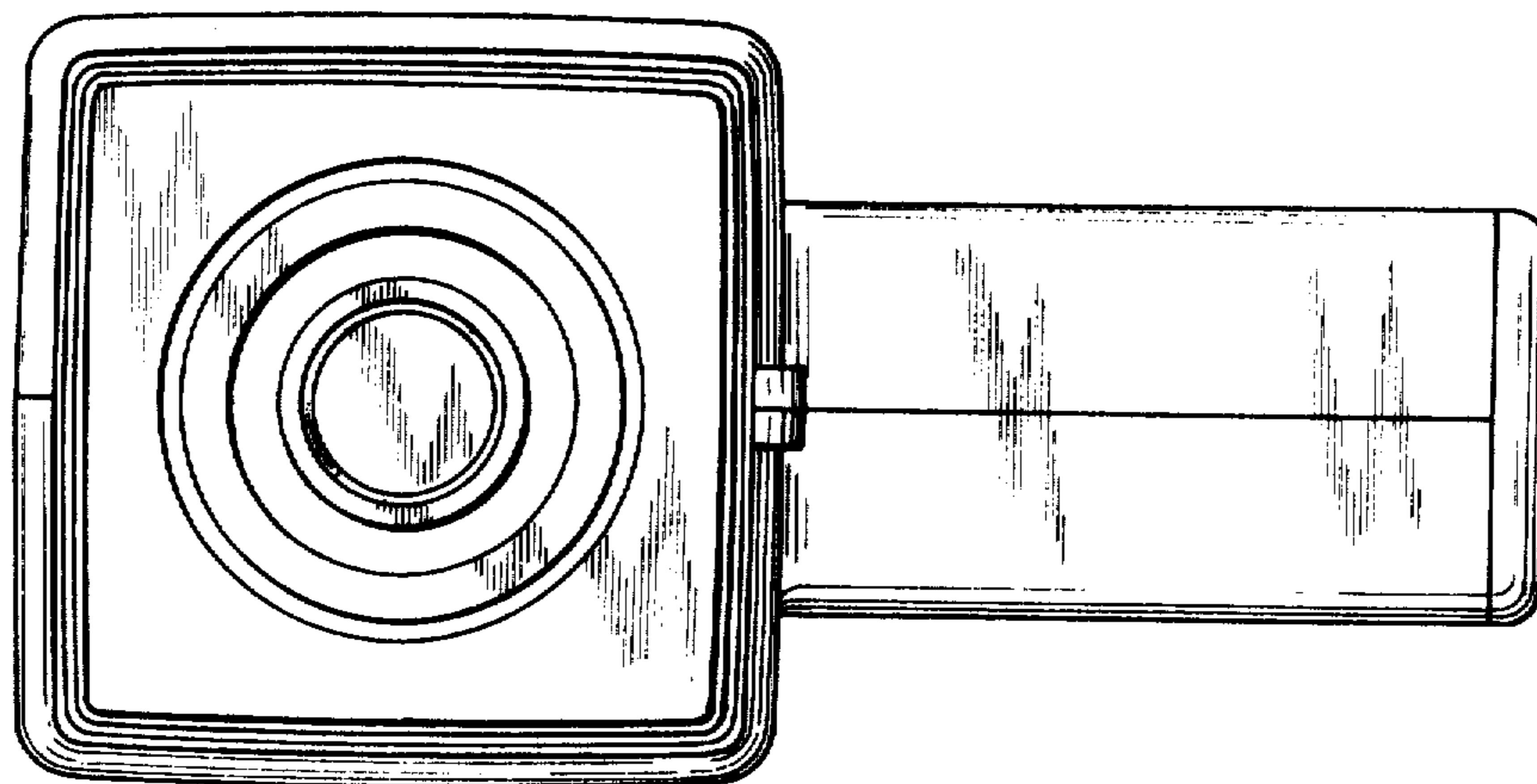


FIG. 5

