

[54] LAMP

[75] Inventors: James Frezzolini; James J. Crawford, both of Ringwood, N.J.

[73] Assignee: Frezzolini Electronics, Inc., Hawthorne, N.J.

[**] Term: 14 Years

[21] Appl. No.: 205,889

[22] Filed: Nov. 10, 1980

[51] Int. Cl. D26-02

[52] U.S. Cl. D26/44; D26/45

[58] Field of Search D26/37-50; 362/157, 158, 184-208, 258, 418, 427

[56] References Cited

U.S. PATENT DOCUMENTS

- D. 204,412 4/1966 Abrams D26/45
- D. 232,857 9/1974 Lang D26/44

OTHER PUBLICATIONS

J. C. Whitney Auto Accessories Cat. ©1979, p. 57, Halogen Search & Work Lamp #88-8128w.

Primary Examiner—Susan J. Lucas
Attorney, Agent, or Firm—McAulay, Fields, Fisher, Goldstein & Nissen

[57] CLAIM

The ornamental design for a lamp, as shown and described.

DESCRIPTION

FIG. 1 is a left side elevational view of a lamp showing our new design;
FIG. 2 is a right side elevational view thereof;
FIG. 3 is a front elevational view thereof;
FIG. 4 is a rear elevational view thereof;
FIG. 5 is a top plan view thereof; and
FIG. 6 is a bottom view thereof.

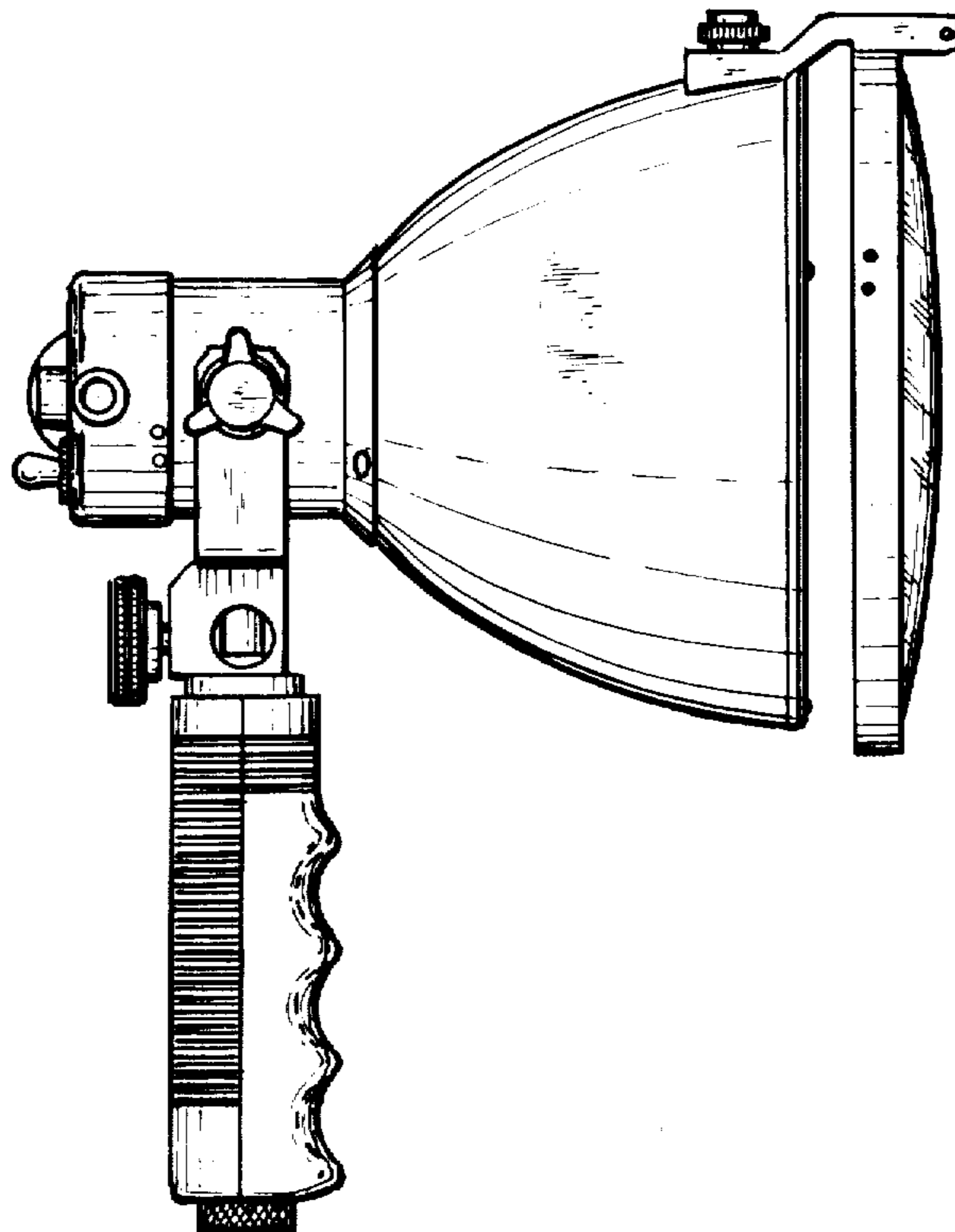


FIG. 1.

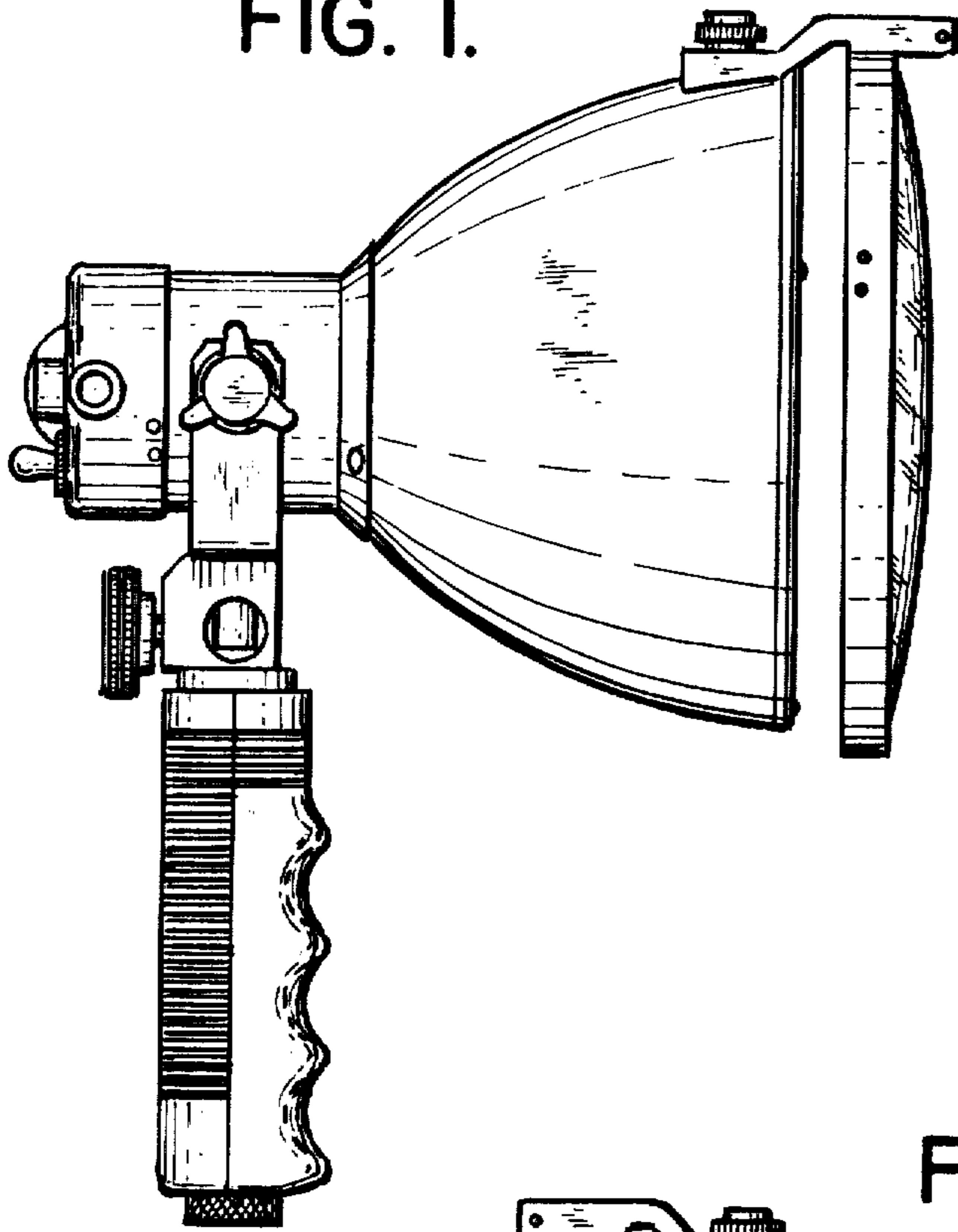


FIG. 2.

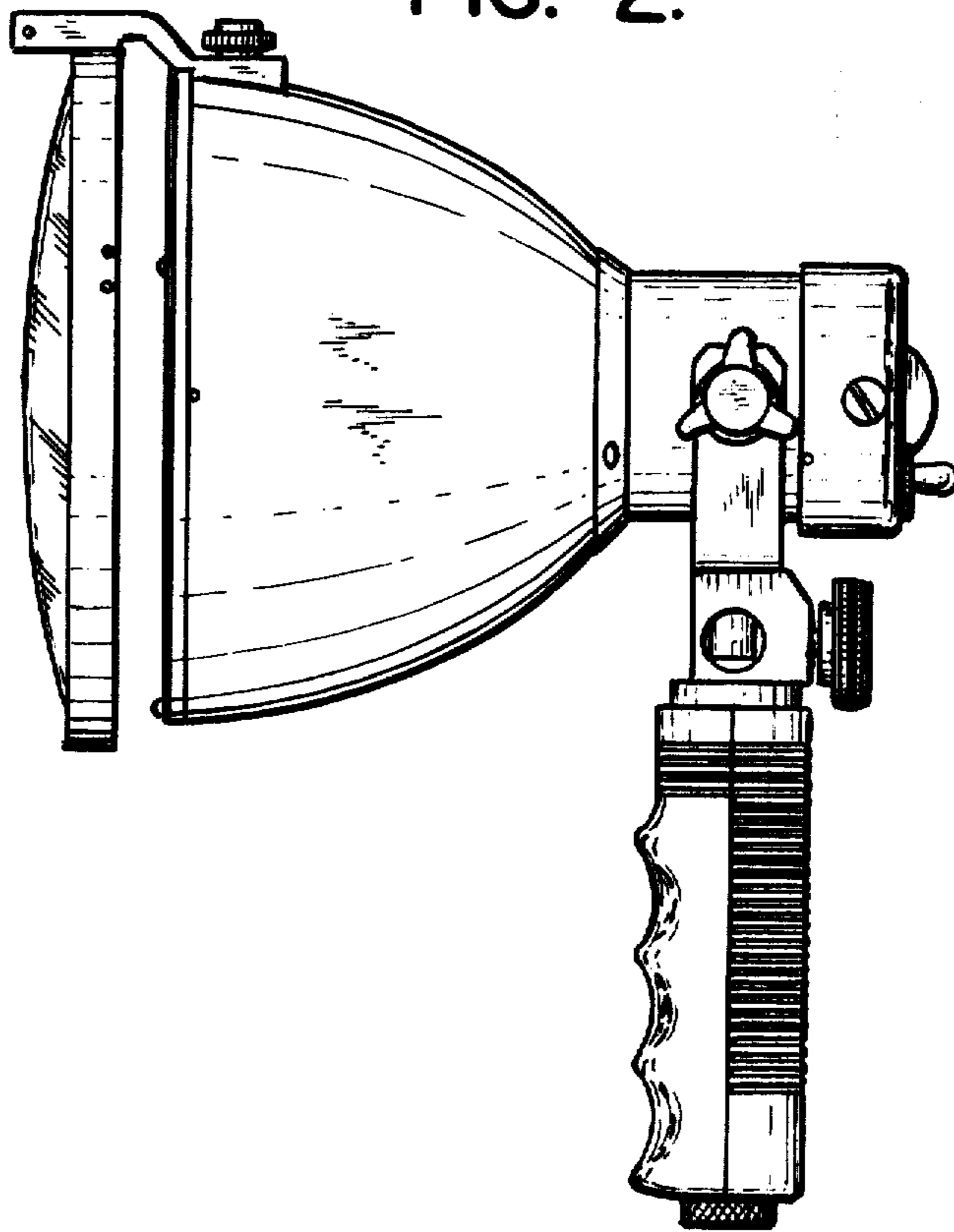


FIG. 3.

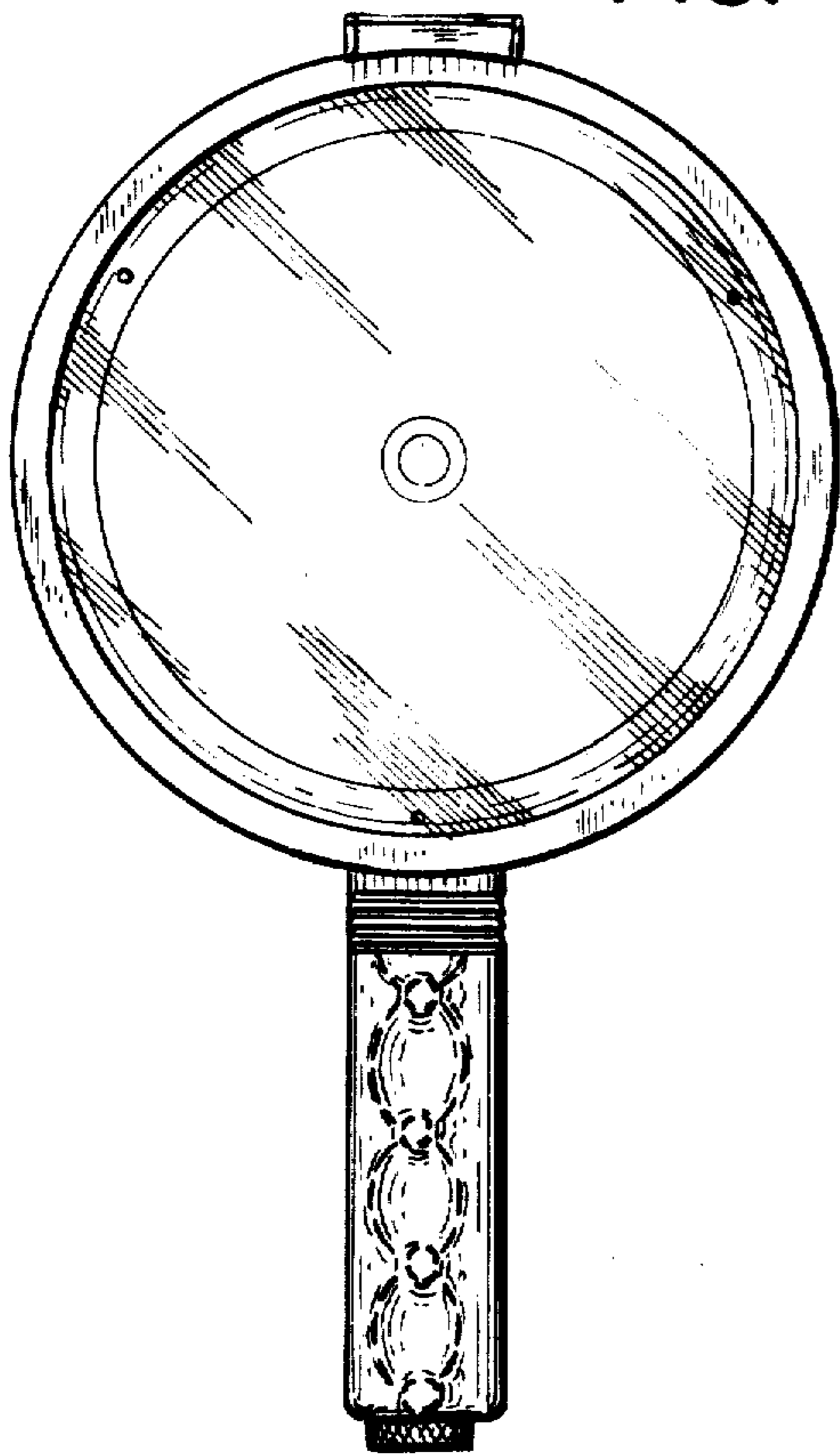


FIG. 4.

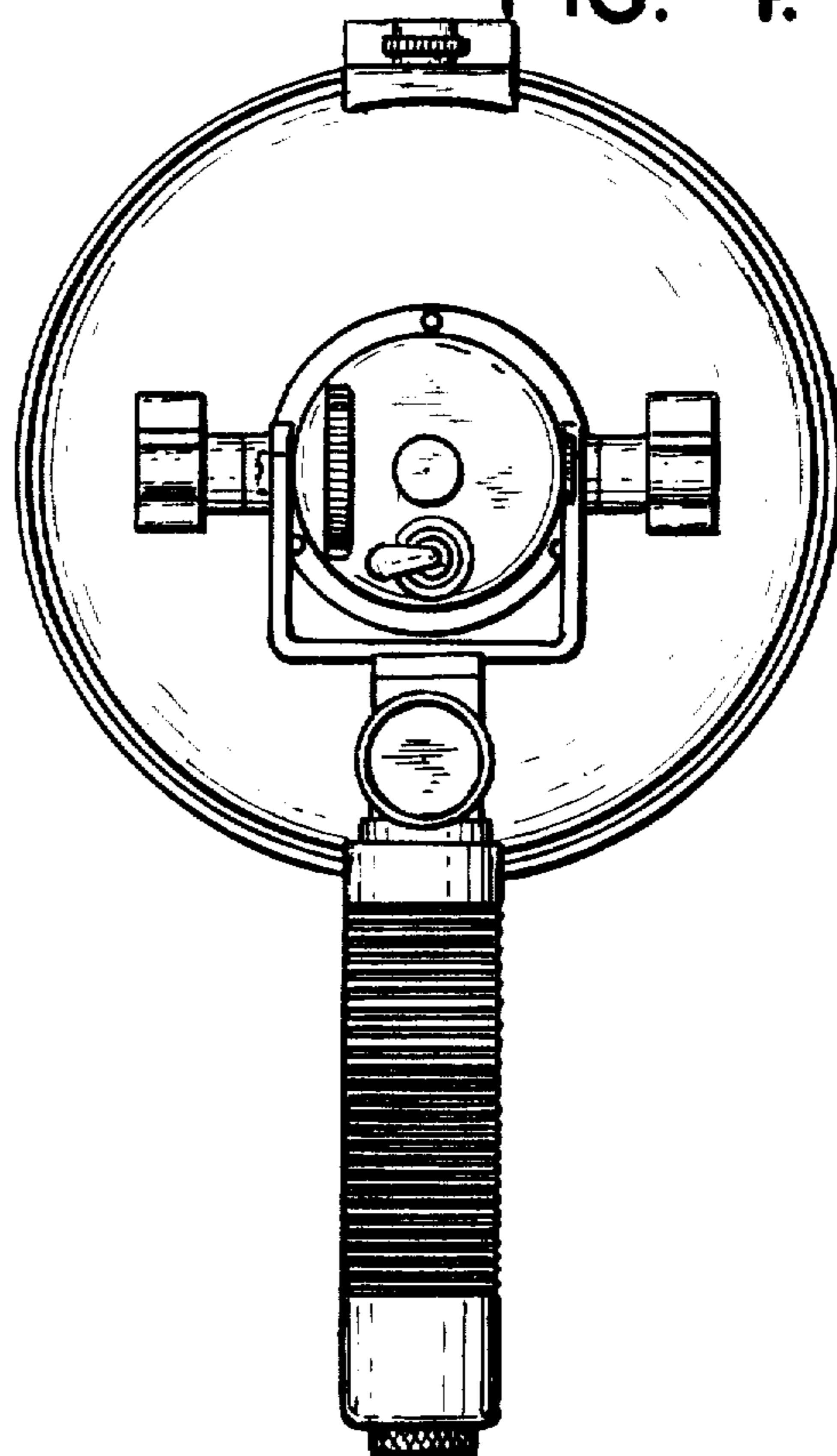


FIG. 5.

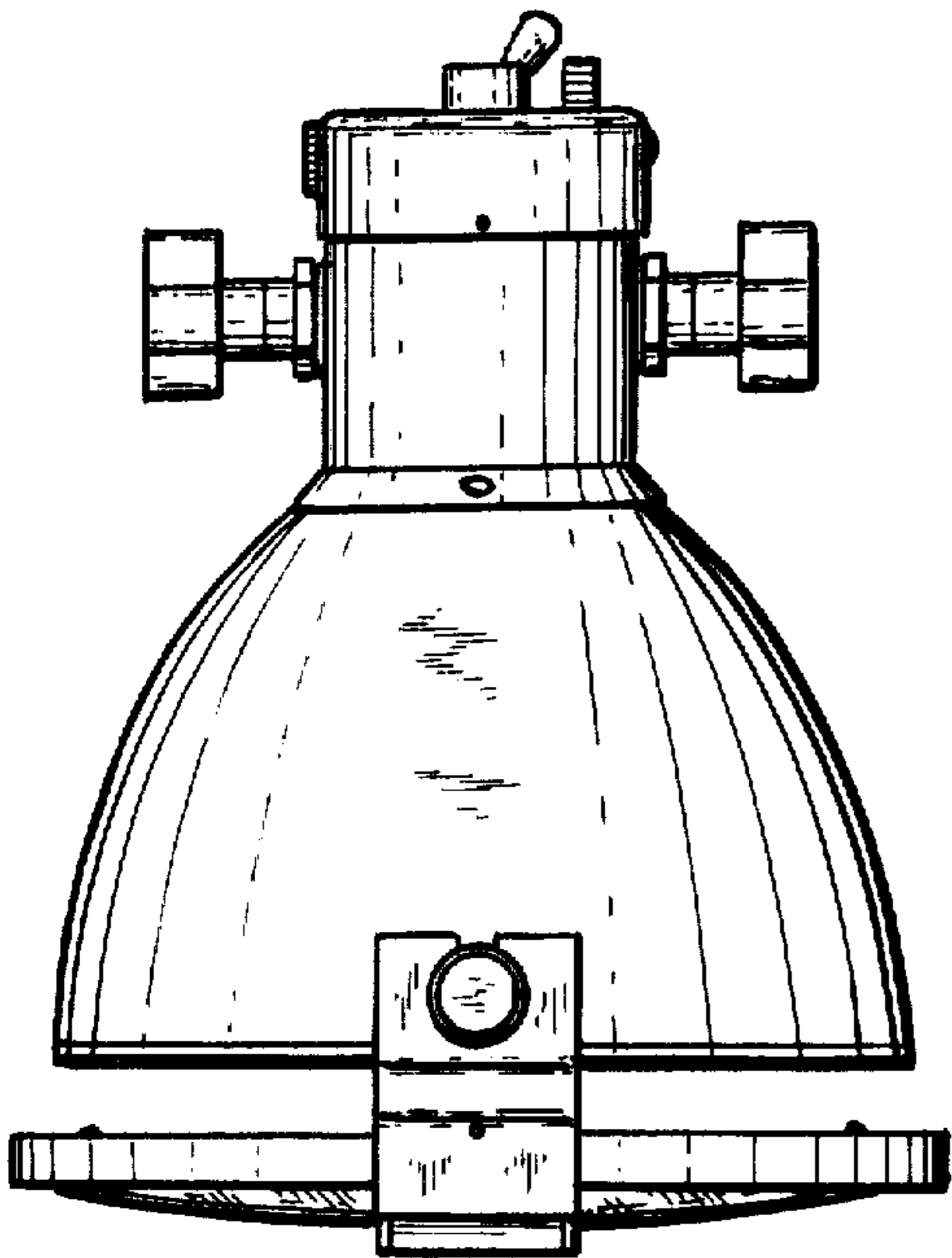


FIG. 6.

