

[54] **ULTRASONIC NEBULIZER**

[75] Inventor: **Herbert Marloth**, Siegertsbrunn,
Fed. Rep. of Germany

[73] Assignee: **Bosch-Siemens Hausgeräte GmbH**,
Stuttgart, Fed. Rep. of Germany

[**] Term: **14 Years**

[21] Appl. No.: **31,313**

[22] Filed: **Apr. 19, 1979**

[30] **Foreign Application Priority Data**

Nov. 6, 1978 [DE] Fed. Rep. of Germany 4916

[51] Int. Cl. **D24-02**

[52] U.S. Cl. **D24/62; D23/148**

[58] Field of Search **D23/139-167;**
D24/62; 128/200.16, 200.17; 239/102

[56] **References Cited**

U.S. PATENT DOCUMENTS

D. 153,226 3/1949 Milton D23/148

D. 227,311	6/1973	Argy et al.	D24/62
D. 231,866	6/1974	Blank et al.	D24/62
D. 234,641	3/1975	King et al.	D24/62
D. 239,738	4/1976	Giurtina	D24/62
D. 253,129	10/1979	Marloth	D24/62
D. 255,832	7/1980	Reichl	D23/148
3,229,450	1/1966	Stern	128/200.17 X
3,572,660	3/1971	Mahon	D24/62 X
3,812,853	5/1974	Crain	128/200.17

Primary Examiner—James R. Largen

Attorney, Agent, or Firm—Herbert L. Lerner

[57] **CLAIM**

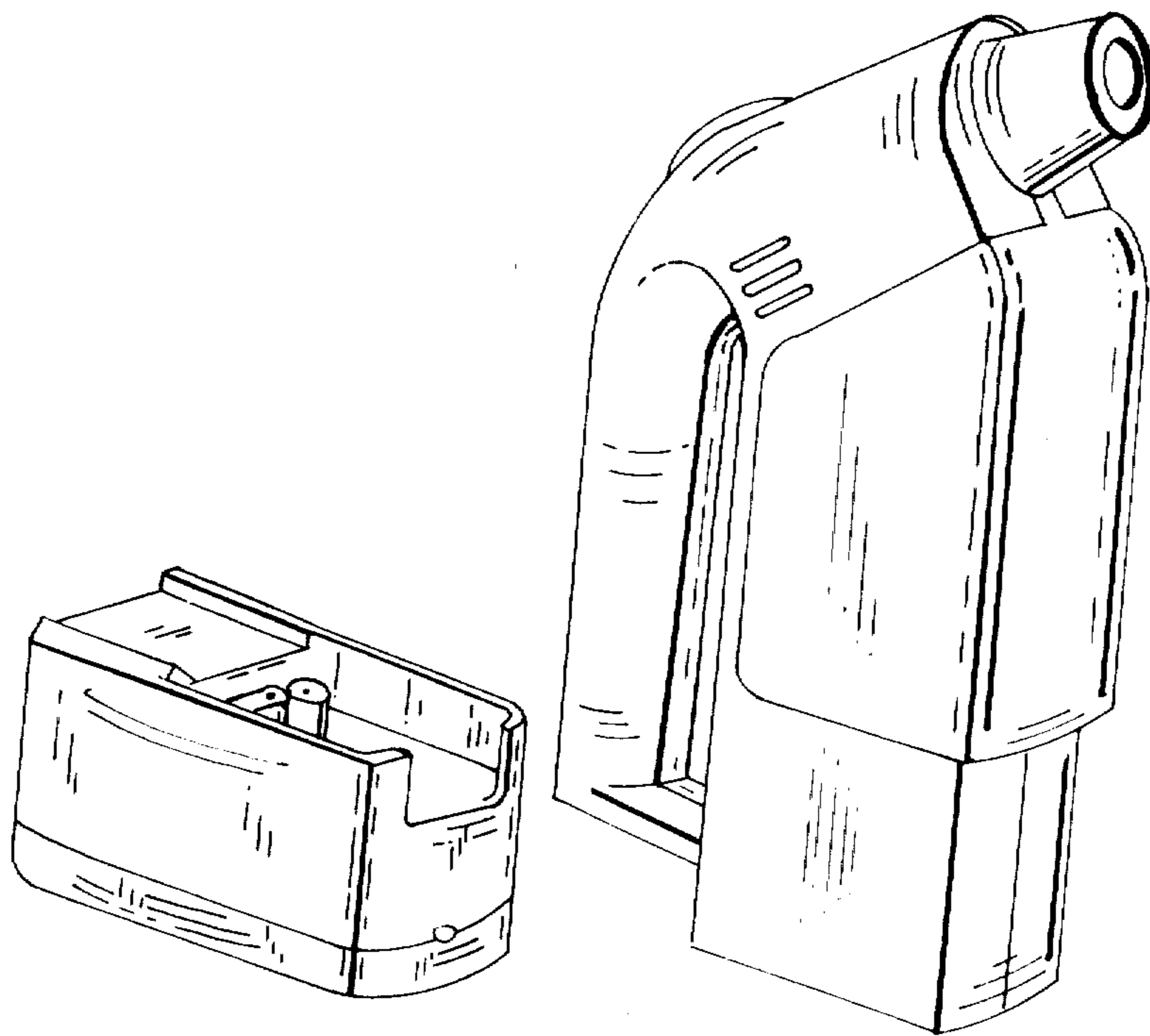
The ornamental design for an ultrasonic nebulizer, as shown.

DESCRIPTION

FIG. 1 is an exploded perspective view taken from the front and left side of an ultrasonic nebulizer showing my new design;

FIG. 2 is a perspective view taken from the top, rear and right side thereof; and

FIG. 3 is a bottom plan view of the top portion thereof.



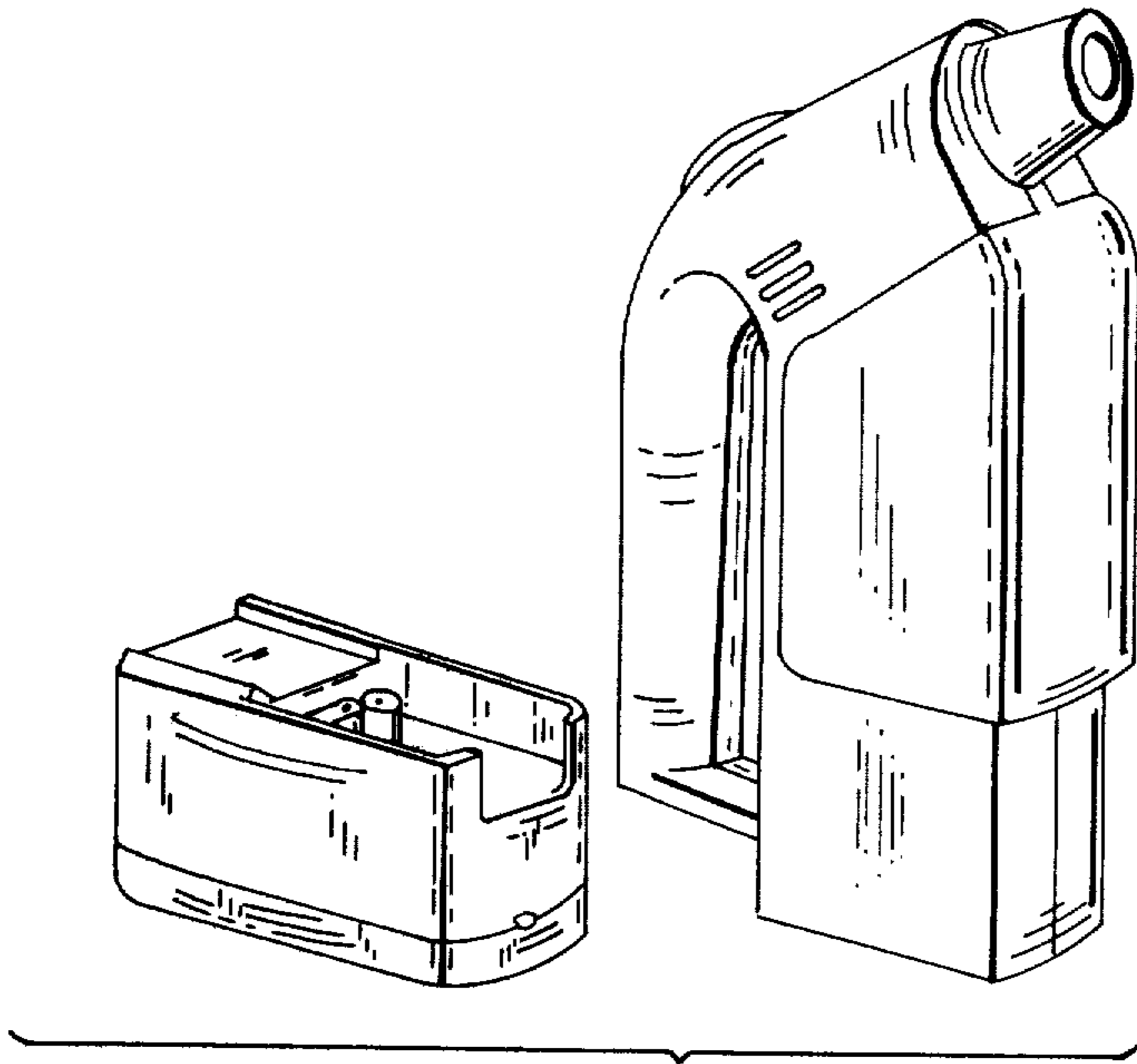


Fig. 1

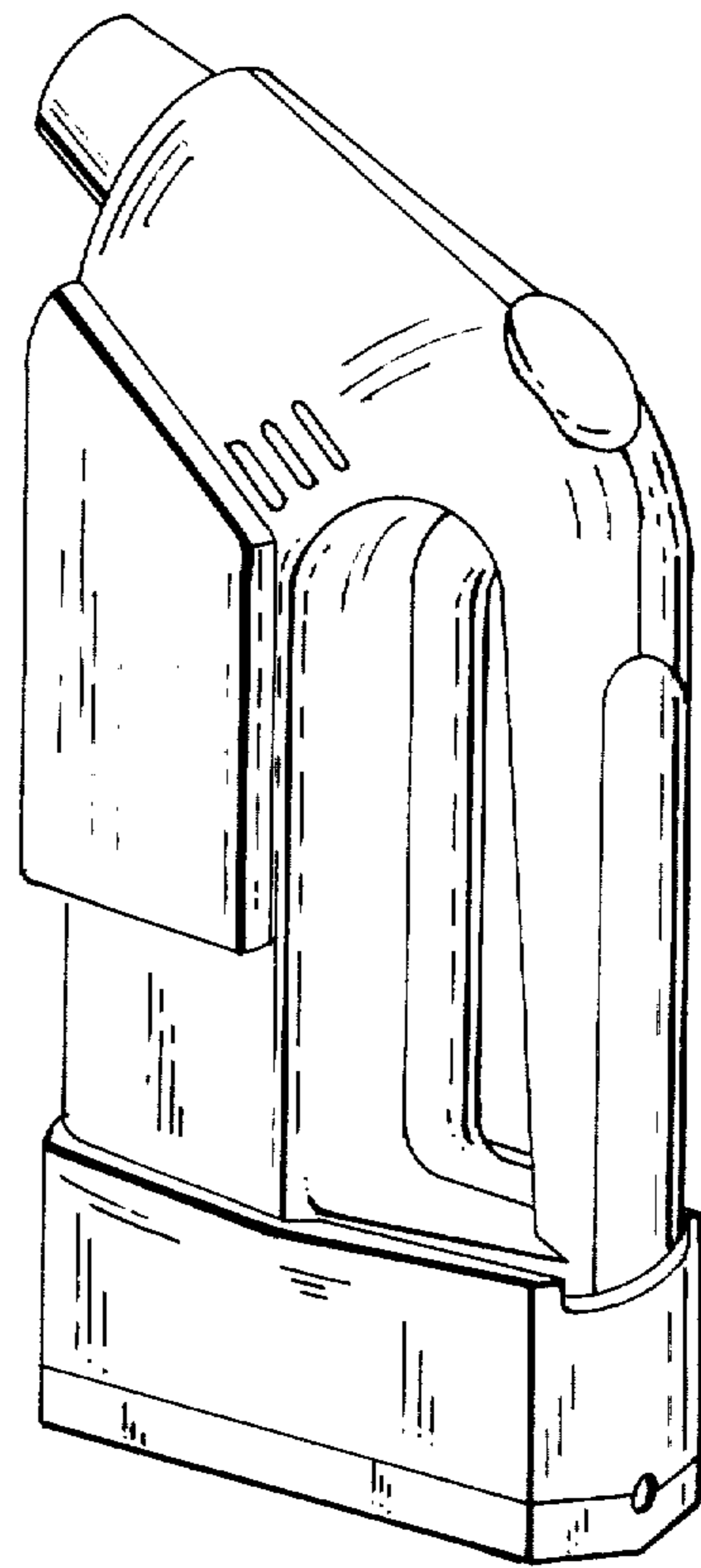


Fig. 2

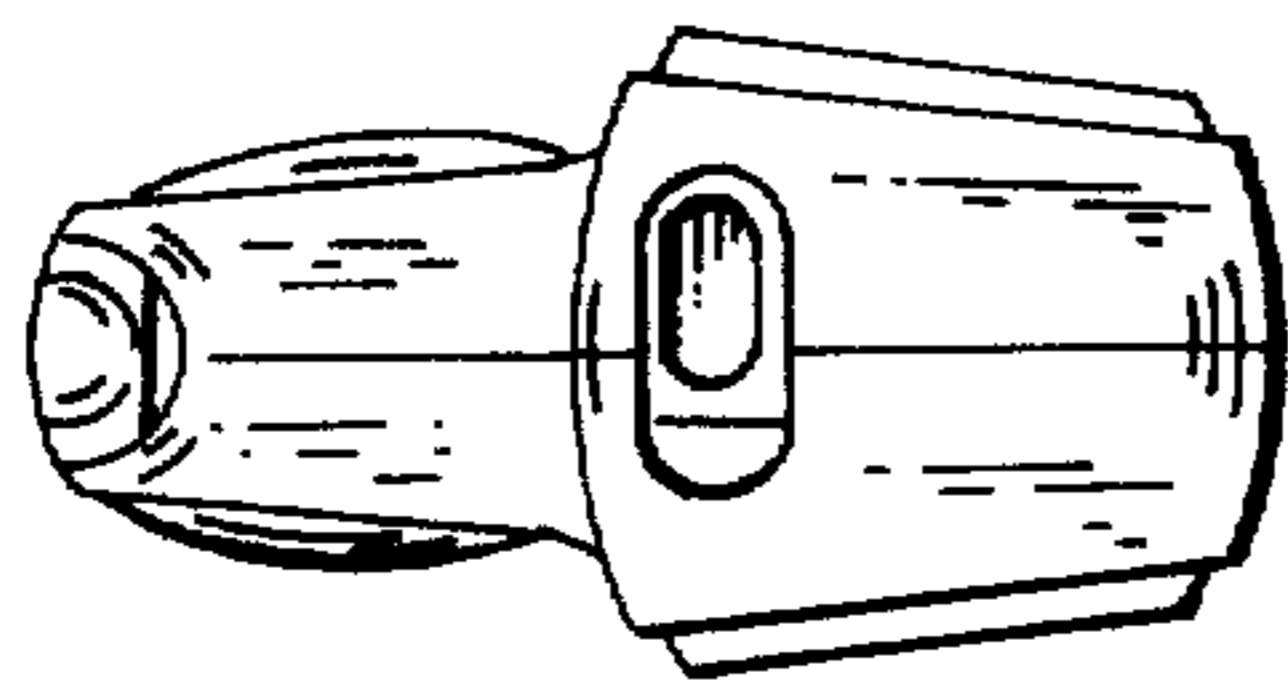


Fig. 3