

[54] FLY SWATTER

2,902,793 9/1959 Lossius ..... D22/20 X

[76] Inventor: Jeffrey F. Seidel, 656 Glendalyn Ave., Spartanburg, S.C. 29302

Primary Examiner—A. Hugo Word  
Attorney, Agent, or Firm—Wellington M. Manning, Jr.;  
Luke J. Wilburn, Jr.

[\*\*] Term: 14 Years

[57] CLAIM

[21] Appl. No.: 189,683

The ornamental design of a fly swatter, substantially as shown and described.

[22] Filed: Sep. 22, 1980

DESCRIPTION

[51] Int. Cl. .... D22—06

FIG. 1 is a plan view of the front of the fly swatter of the present invention.

[52] U.S. Cl. .... D22/20

FIG. 2 is a plan view of the back of the fly swatter of the present invention.

[58] Field of Search ..... 43/137; D22/20

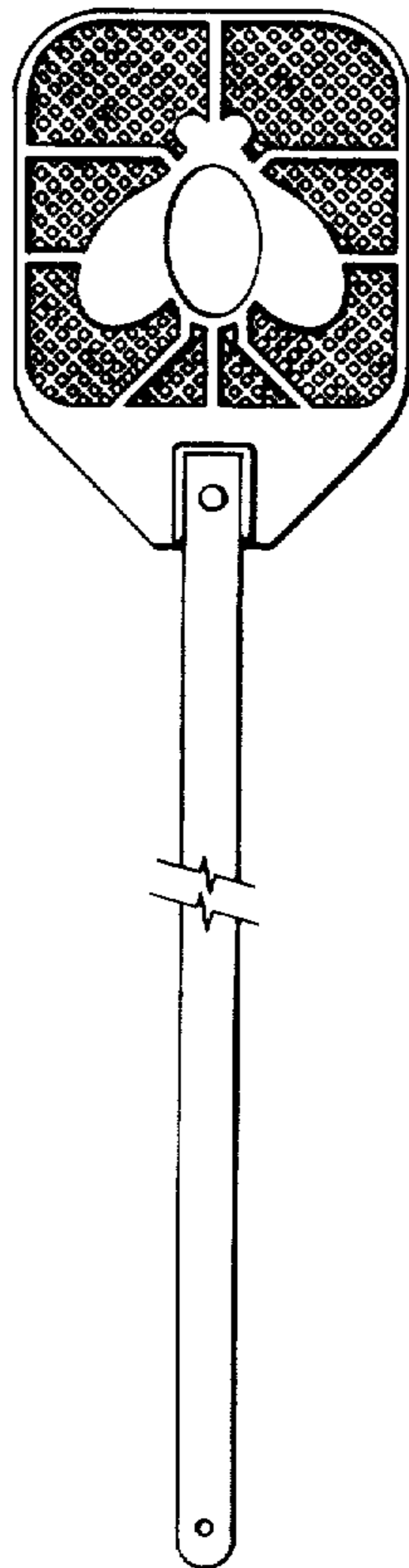
FIG. 3 is a side view of a portion of the fly swatter of the present invention, looking from the right side of FIG. 1.

[56] References Cited

U.S. PATENT DOCUMENTS

- D. 101,647 10/1936 Murray ..... D22/20
- 1,277,216 8/1918 Hutton ..... 43/137
- 2,736,129 2/1956 Roop ..... D22/20 X

FIG. 4 is a top view of the fly swatter of the present invention.



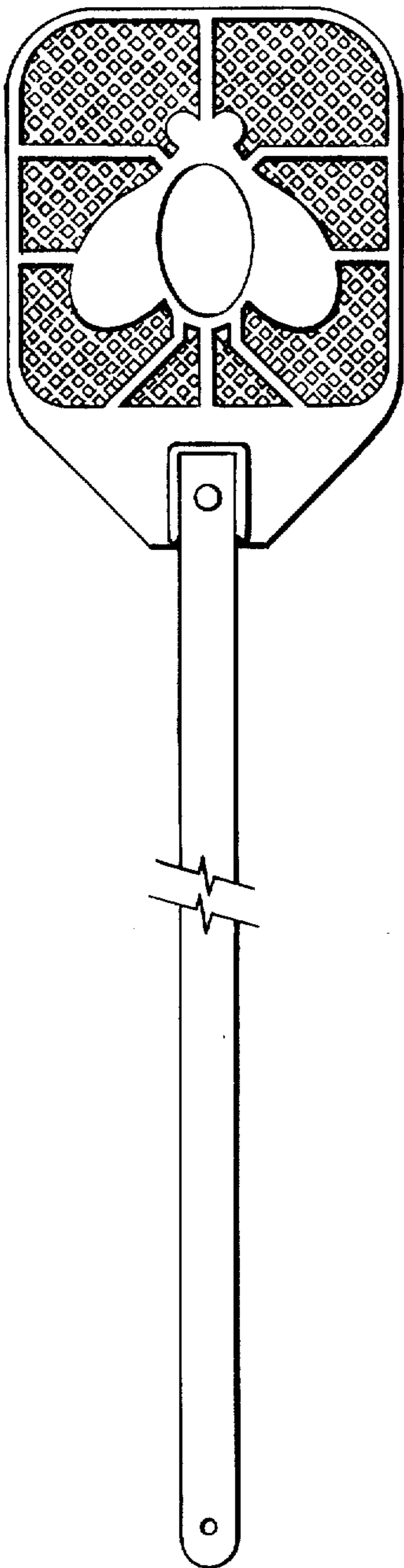


fig-1

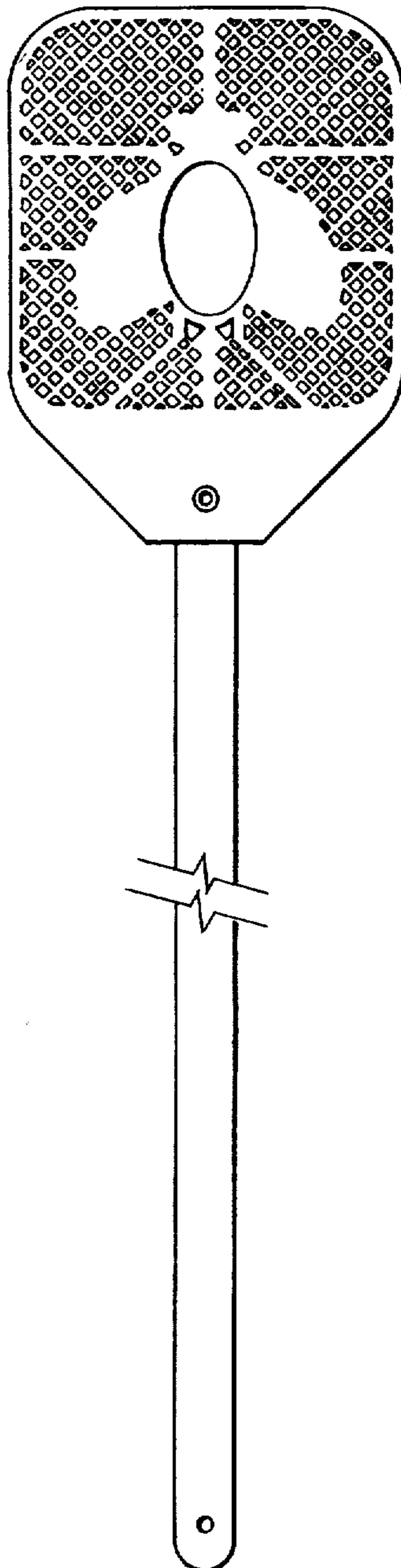


fig-2

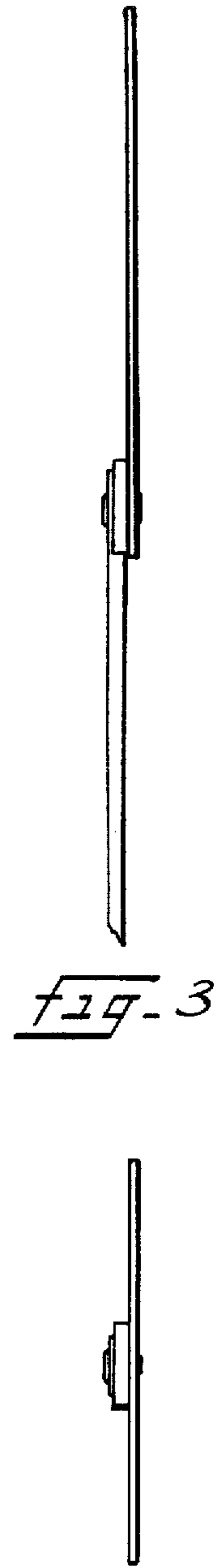


fig-3



fig-4