

[54] **CLUB FOR A BALL AND CLUB GAME**

[76] **Inventor:** Carl F. Dretzke, 777 Depot St., Rte. 2, Box 35, Manawa, Wis. 54949

[**] **Term:** 14 Years

[21] **Appl. No.:** 204,611

[22] **Filed:** Nov. 6, 1980

[51] **Int. Cl.** D21—01

[52] **U.S. Cl.** D21/211; D7/42; D7/104; D32/51

[58] **Field of Search** D21/210, 211, 11; 273/87.2, 85 R, 129 R, 119 R, 129 K; D7/42, 104, 102, 138; D32/51

[56]

References Cited

U.S. PATENT DOCUMENTS

D. 197,478 2/1964 Larson D7/102
735,995 8/1903 Mumford 273/85 R
1,991,671 2/1935 Hodson 273/87.2

Primary Examiner—Melvin B. Feifer

Attorney, Agent, or Firm—Isaksen, Lathrop, Esch, Hart & Clark

[57]

CLAIM

The ornamental design for a club for a ball and club game, as shown and described.

DESCRIPTION

FIG. 1 is a perspective view of a club for a ball and club game showing my new design.

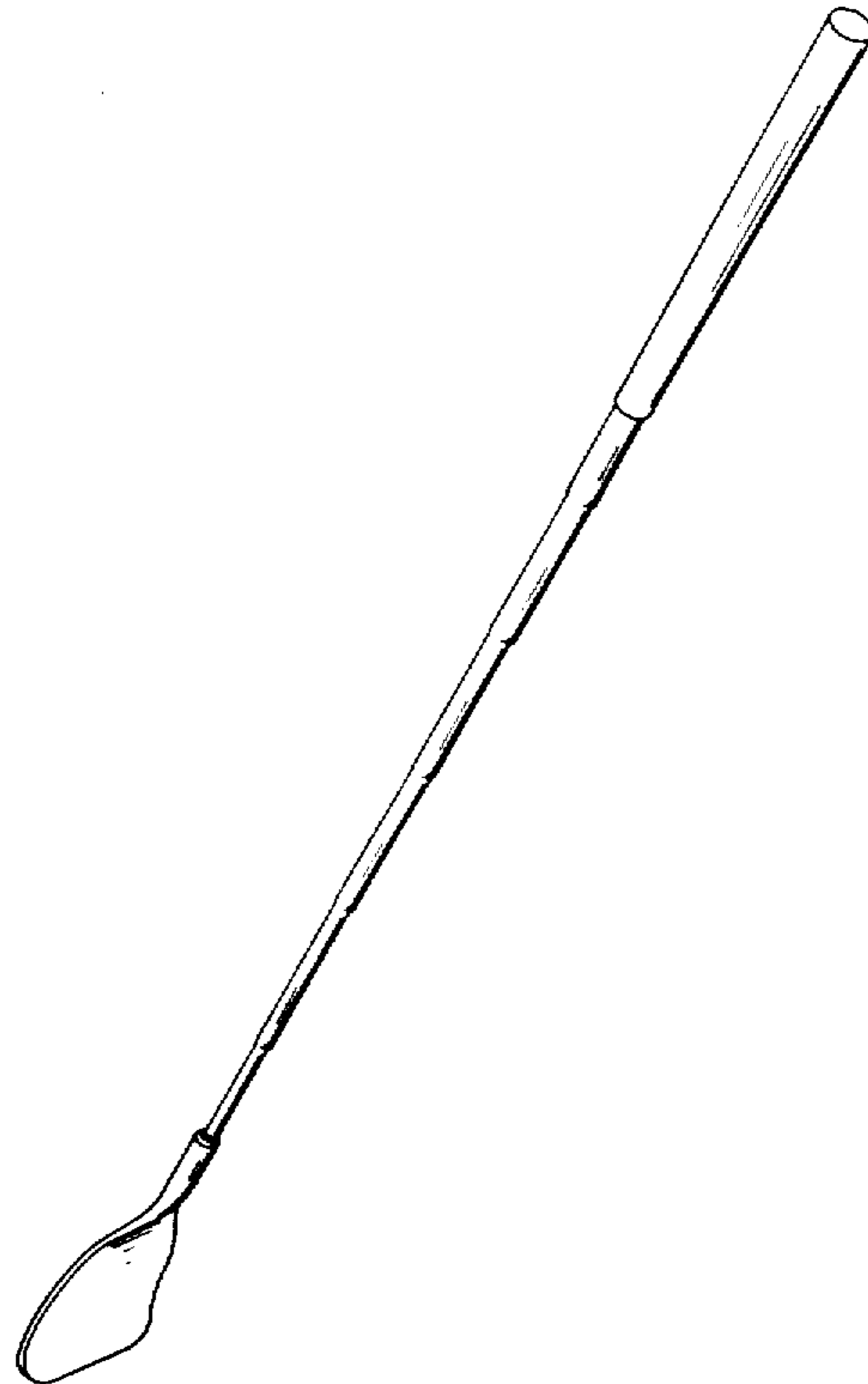
FIG. 2 is a front elevation view thereof.

FIG. 3 is a left side elevation view thereof.

FIG. 4 is a rear elevation view thereof.

FIG. 5 is a right side elevation view thereof.

FIG. 6 is a bottom plan view thereof.



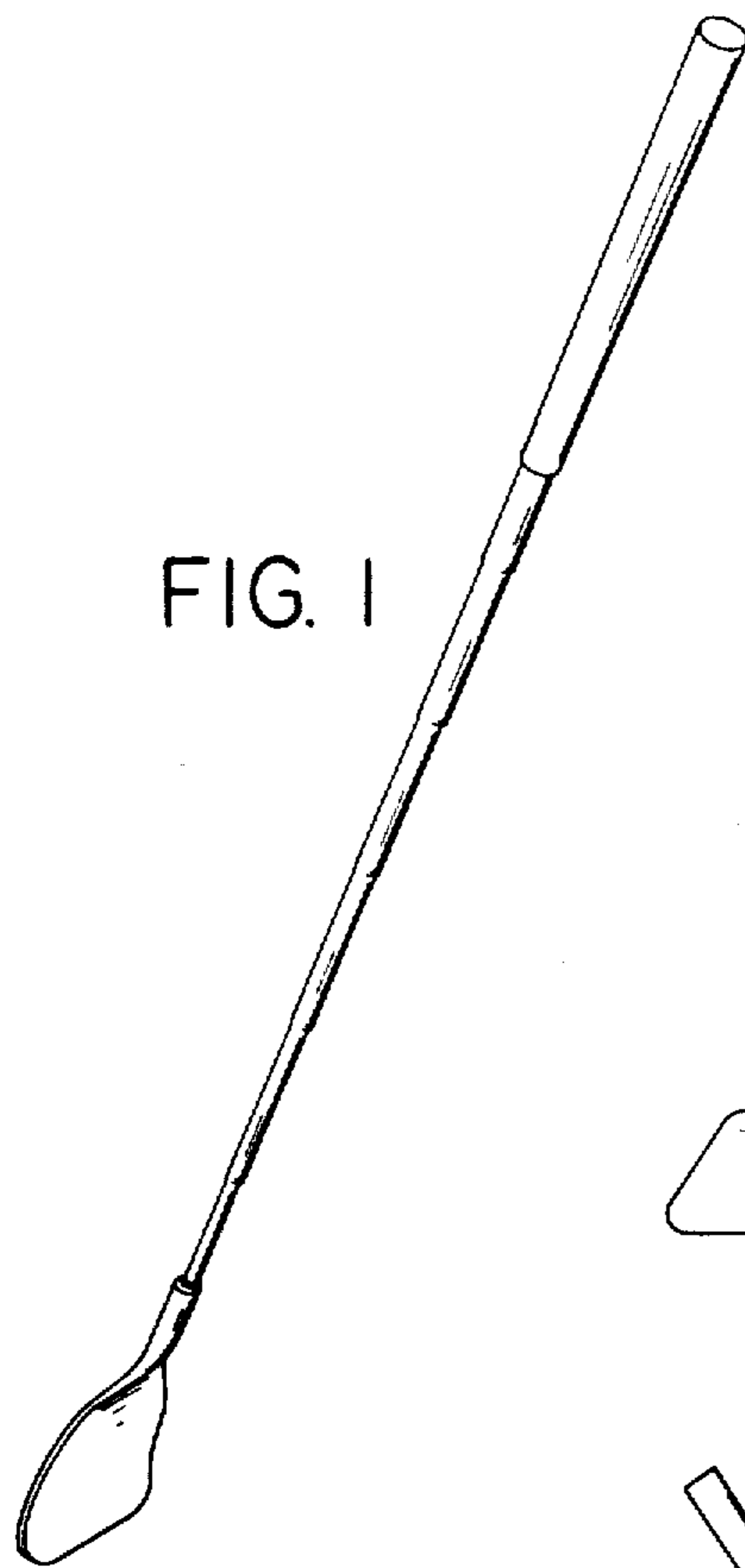


FIG. 1

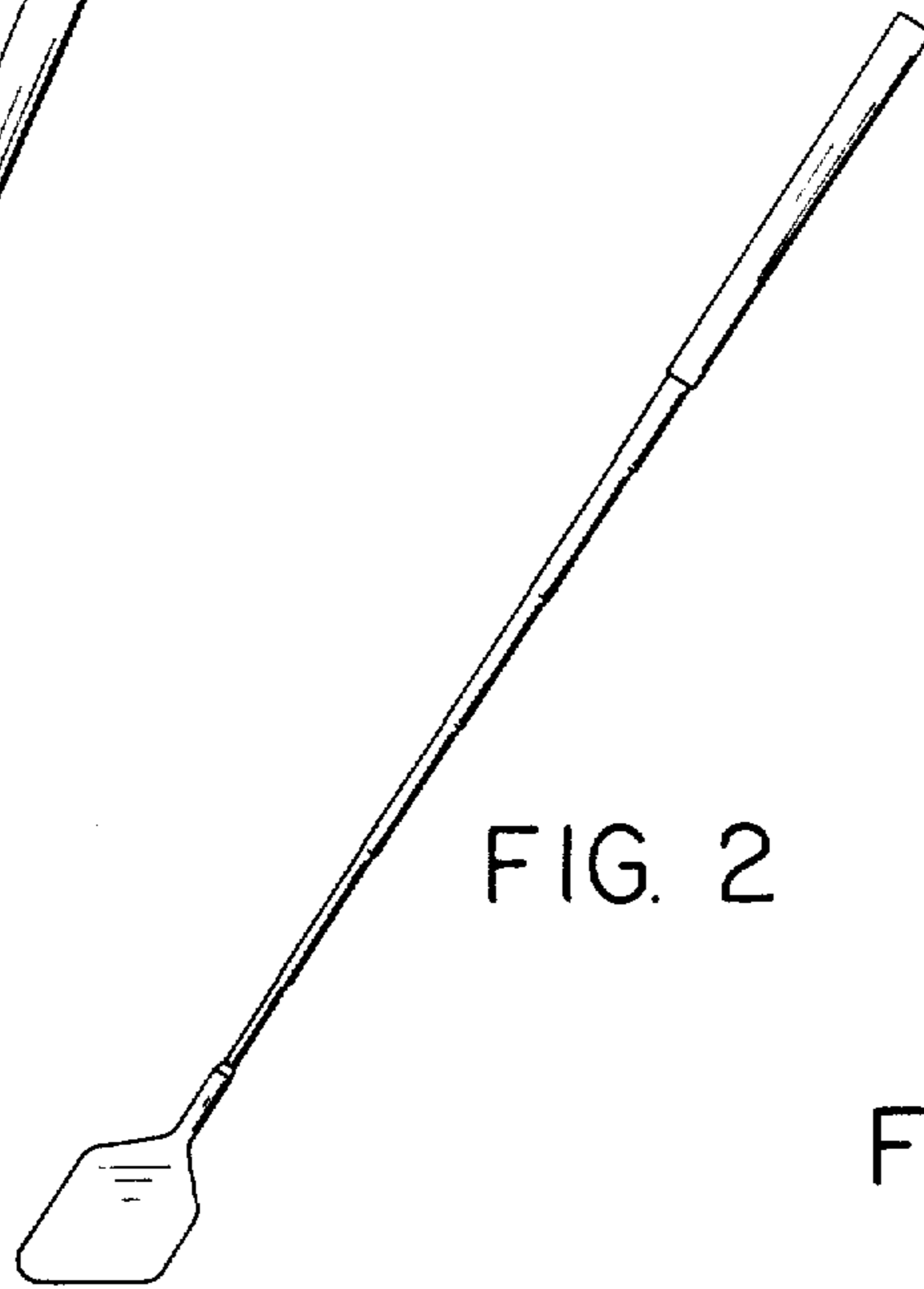


FIG. 2

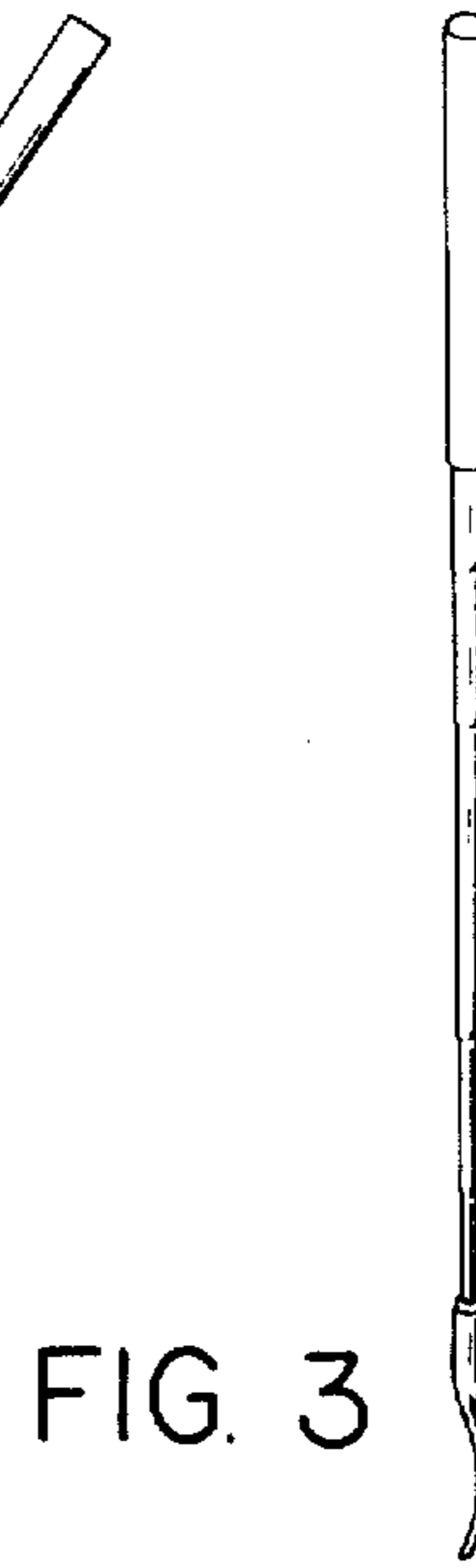


FIG. 3

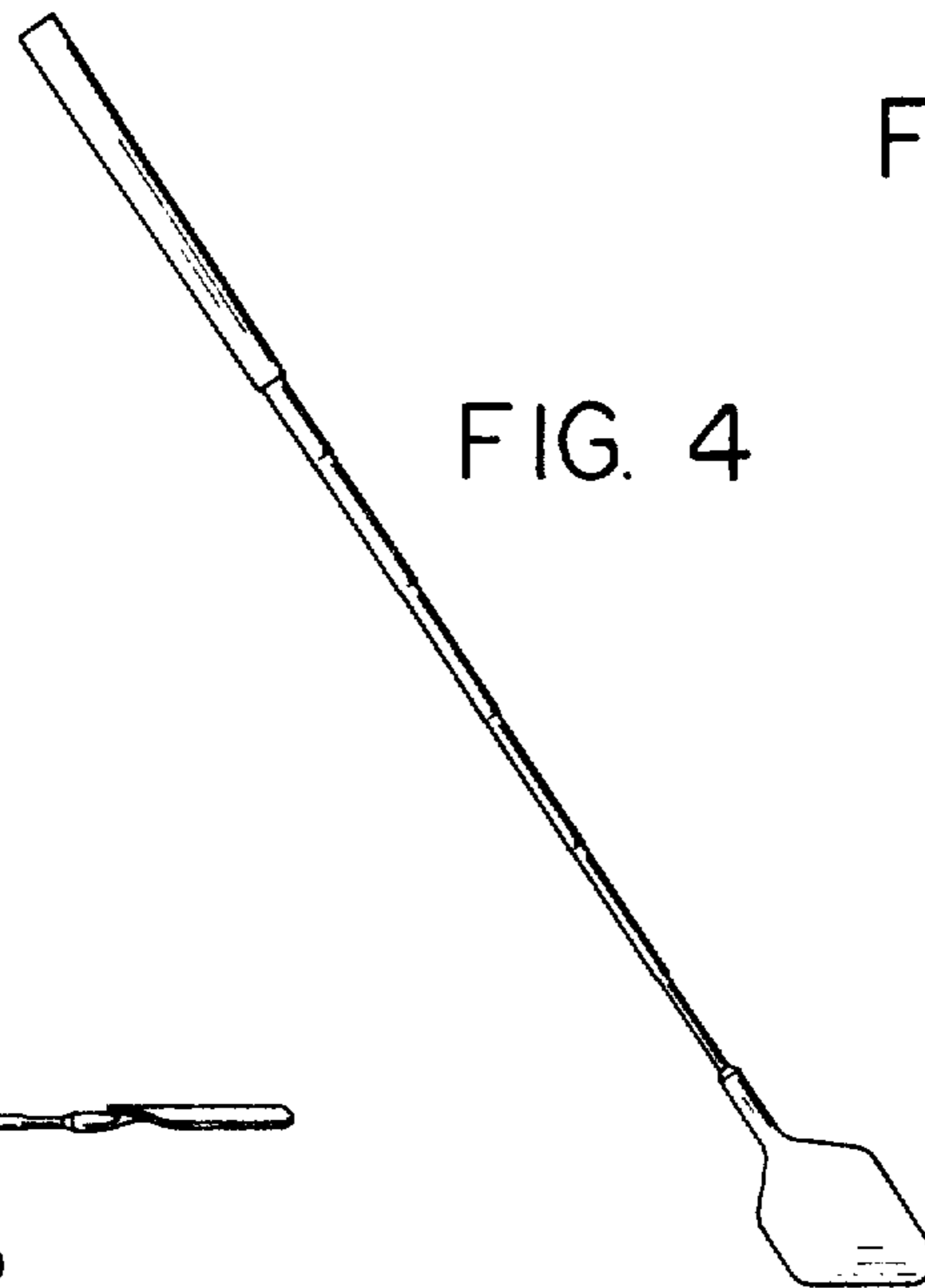


FIG. 4

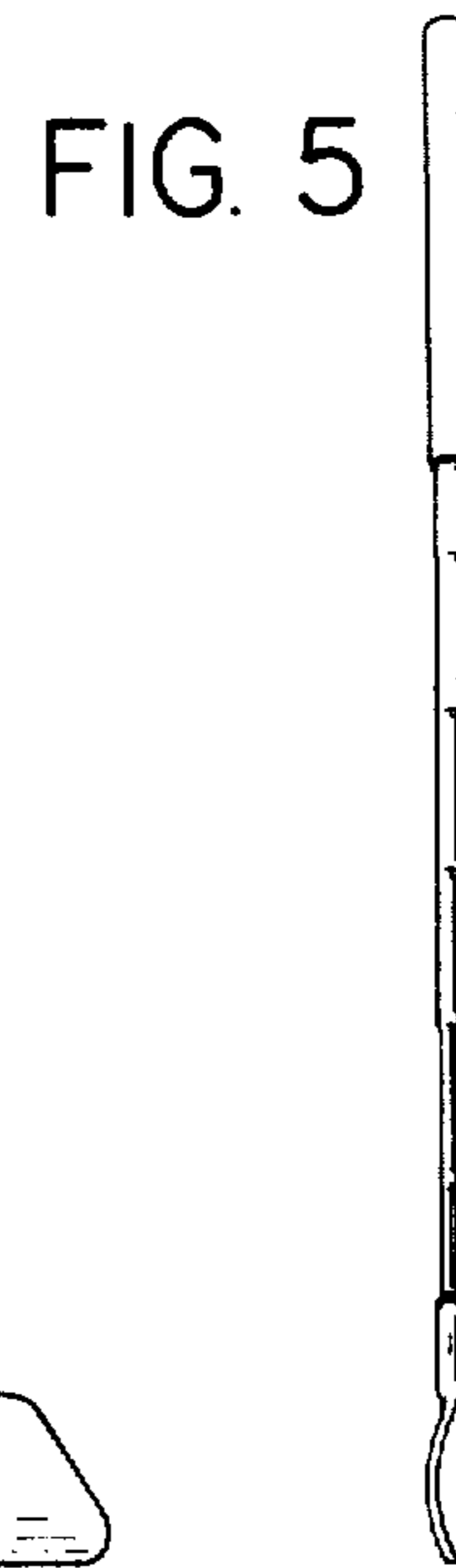


FIG. 5

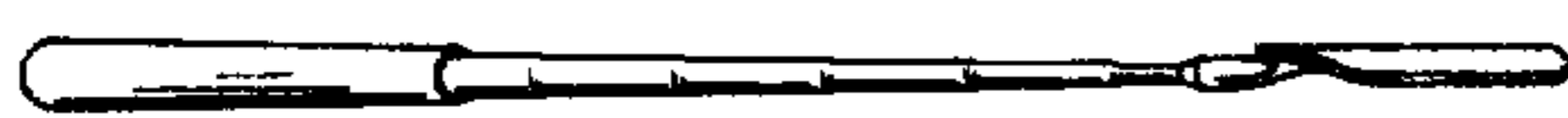


FIG. 6