

[54] TOY PADDLE WHEEL BOAT

[76] Inventor: Charles E. Hughes, 172 W. Eugenie St., Chicago, Ill. 60614

[*] Notice: The portion of the term of this patent subsequent to Dec. 11, 1993, has been disclaimed.

[**] Term: 14 Years

[21] Appl. No.: 103,691

[22] Filed: Dec. 14, 1979

[51] Int. Cl. D21-01

[52] U.S. Cl. D21/130

[58] Field of Search D21/130; 46/91, 92, 46/93, 95, 96; D12/306

[56] References Cited

U.S. PATENT DOCUMENTS

D. 253,664 12/1979 Hughes D21/130

Primary Examiner—Melvin B. Feifer
Attorney, Agent, or Firm—Everett A. Johnson

[57] CLAIM

The ornamental design for a toy paddle wheel boat, as shown and described.

DESCRIPTION

FIG. 1 is a side elevational view of a toy paddle wheel boat showing my new design, the side opposite being substantially a mirror image.

FIG. 2 is a top plan view thereof;

FIG. 3 is a bottom plan view thereof;

FIG. 4 is a front elevational view thereof; and

FIG. 5 is a rear elevational view thereof.

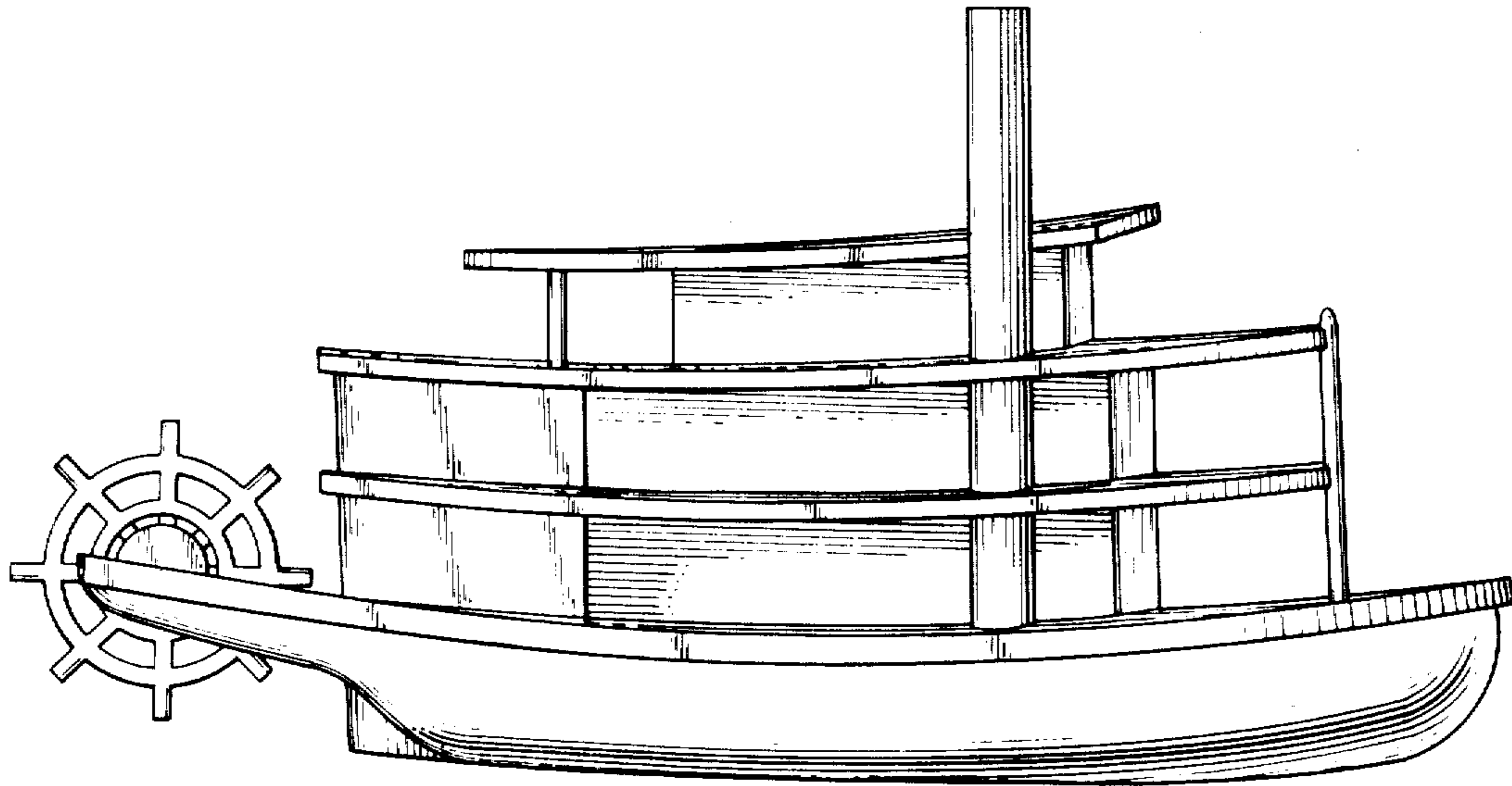


FIG. 2

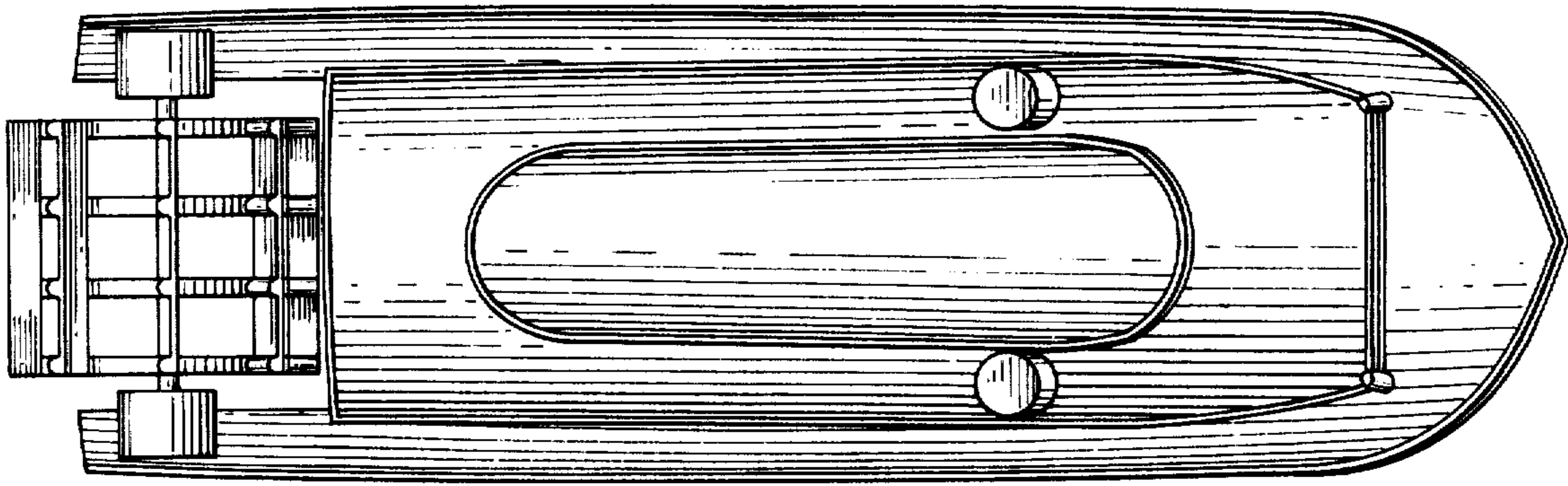


FIG. 1

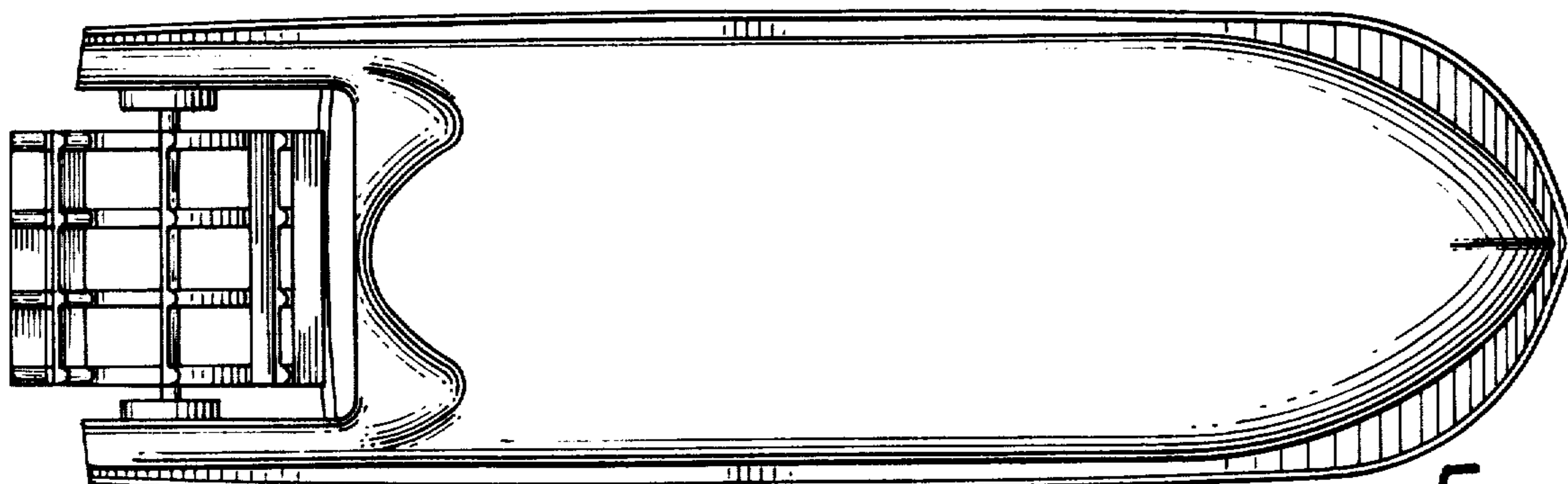
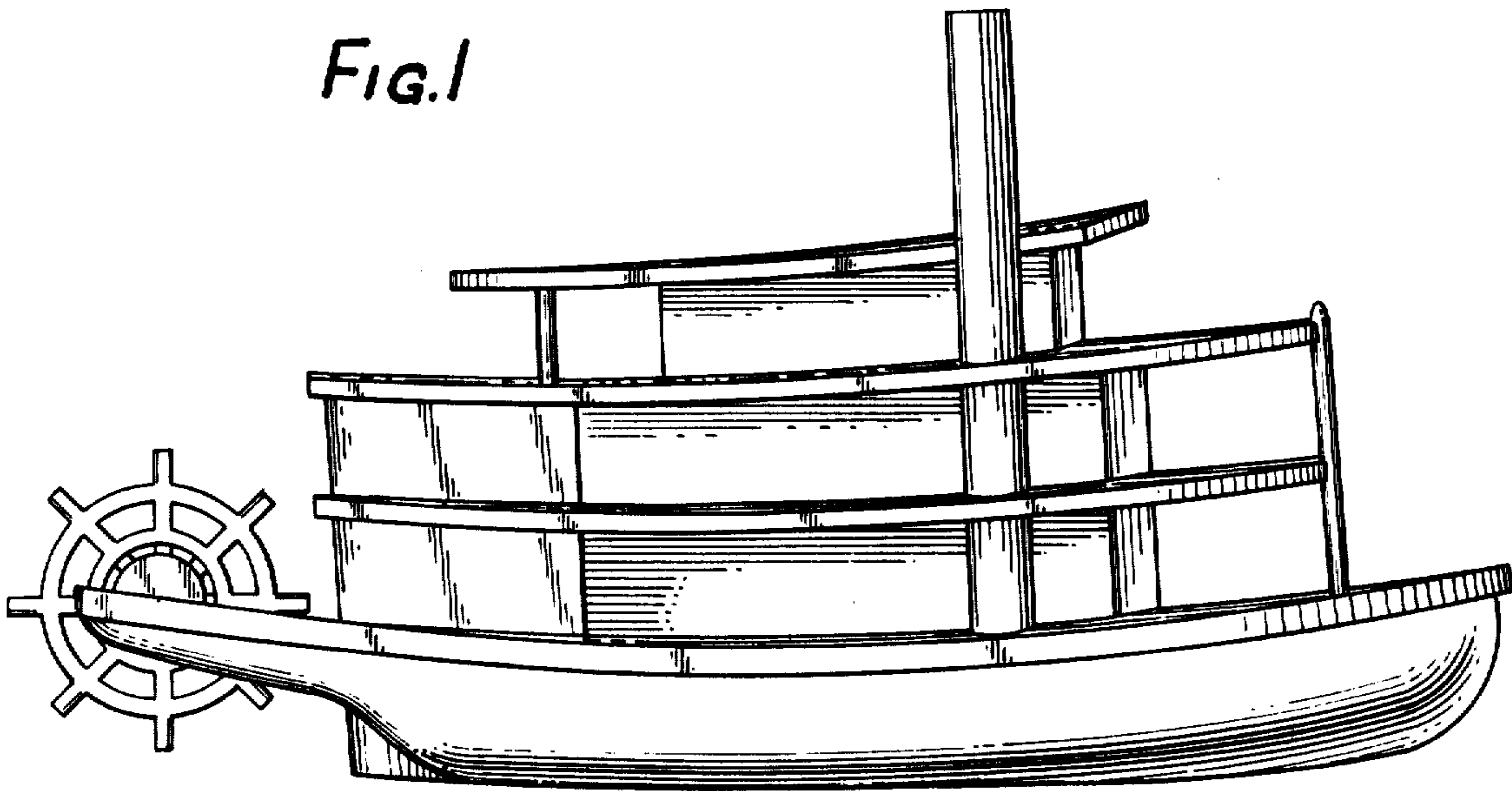


FIG. 3

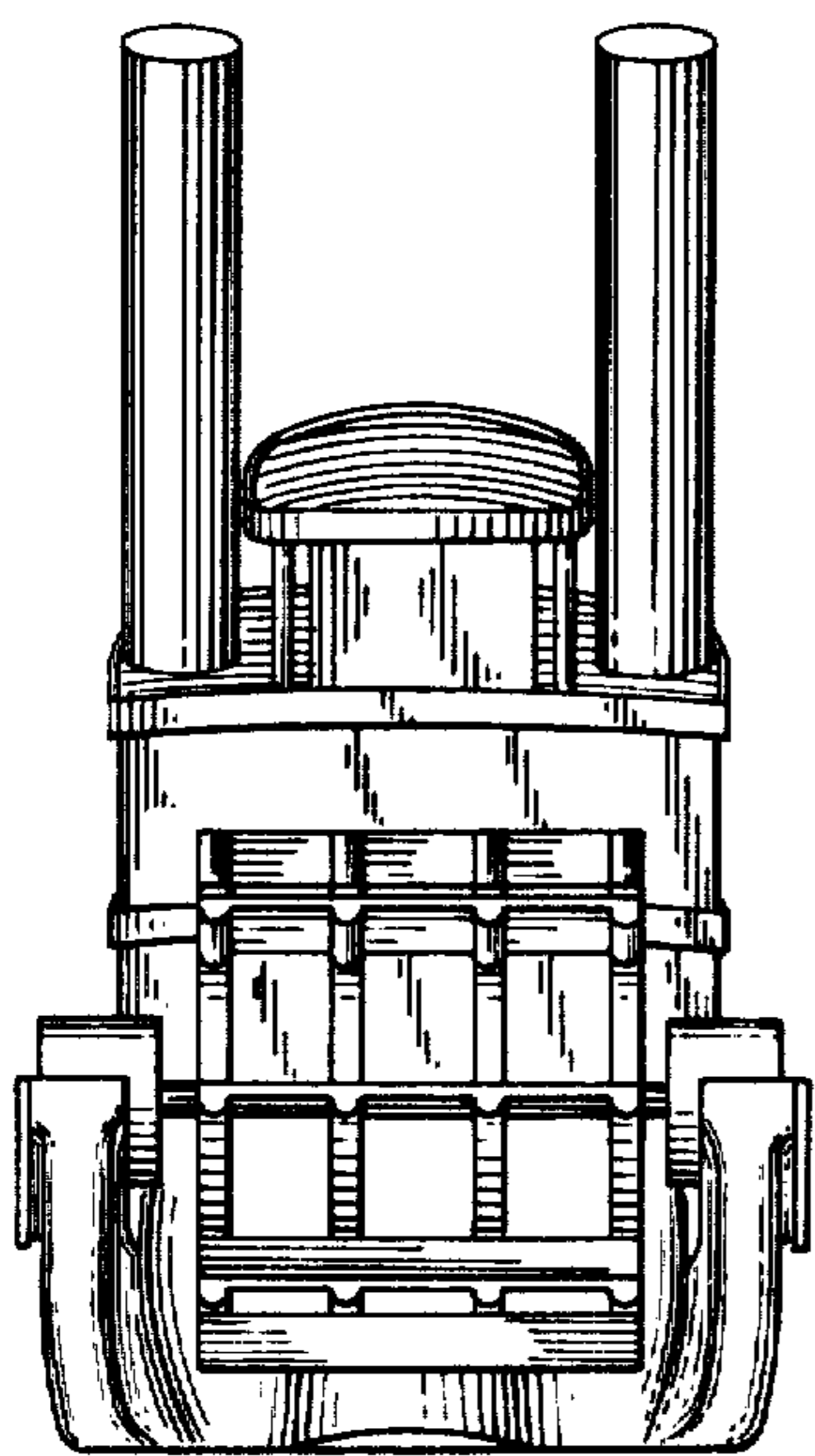


FIG. 5

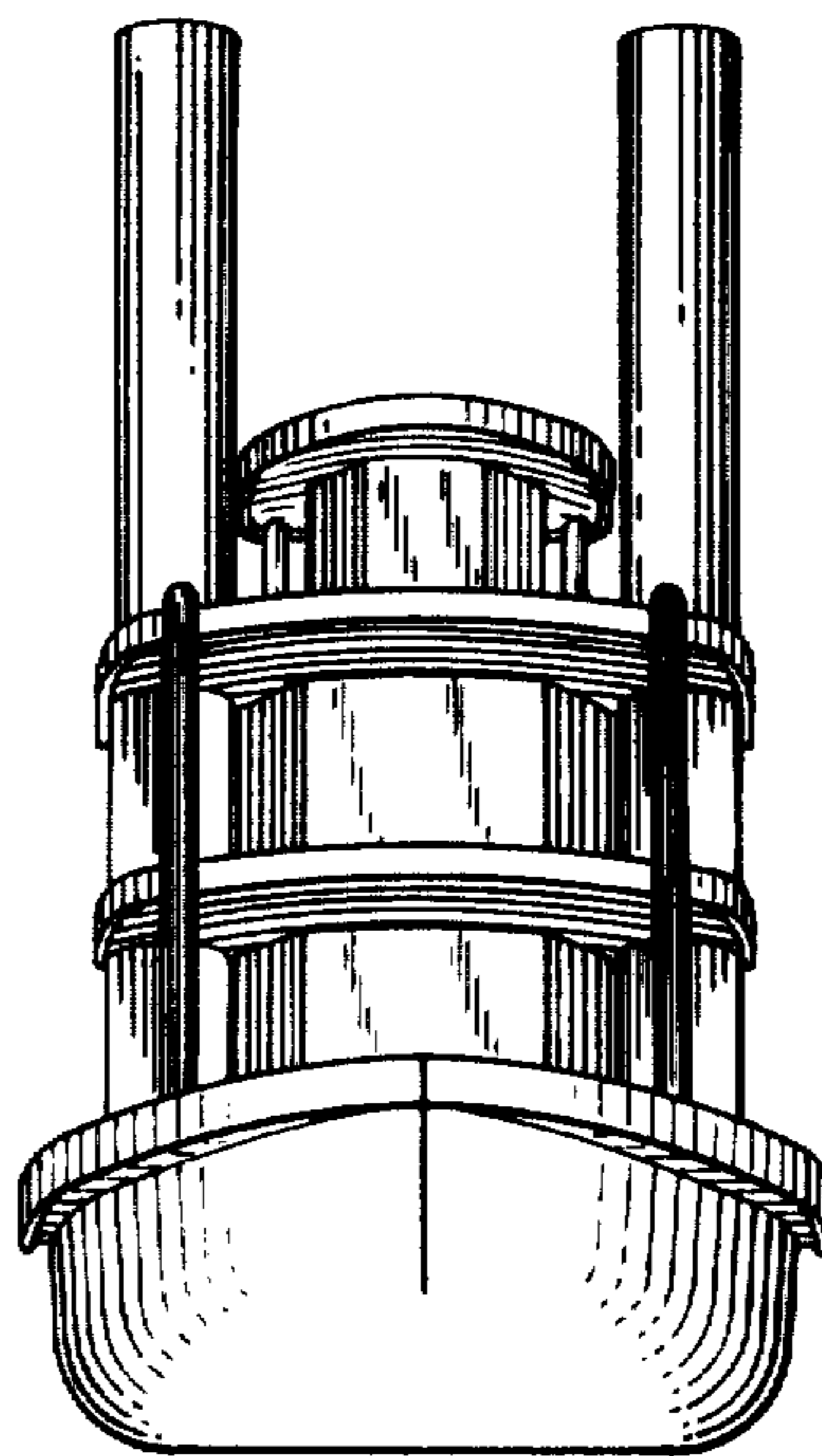


FIG. 4