

[54] BOOMERANG

[76] Inventor: Alexander N. Zobkiw, 830 Edgefield Dr., Bowling Green, Ky. 42101

[\*\*] Term: 14 Years

[21] Appl. No.: 74,651

[22] Filed: Sep. 17, 1979

[51] Int. Cl. .... D21-01

[52] U.S. Cl. .... D21/82

[58] Field of Search ..... D21/82, 89, 88, 85; D59/1.2 R; 46/1 R, 1 L, 60, 74 R; 273/426, 427; 124/44

[56] References Cited

U.S. PATENT DOCUMENTS

482,852 9/1892 Stevens ..... 273/426

3,955,817 5/1976 Davis ..... 273/426

FOREIGN PATENT DOCUMENTS

332867 11/1903 France ..... 273/426

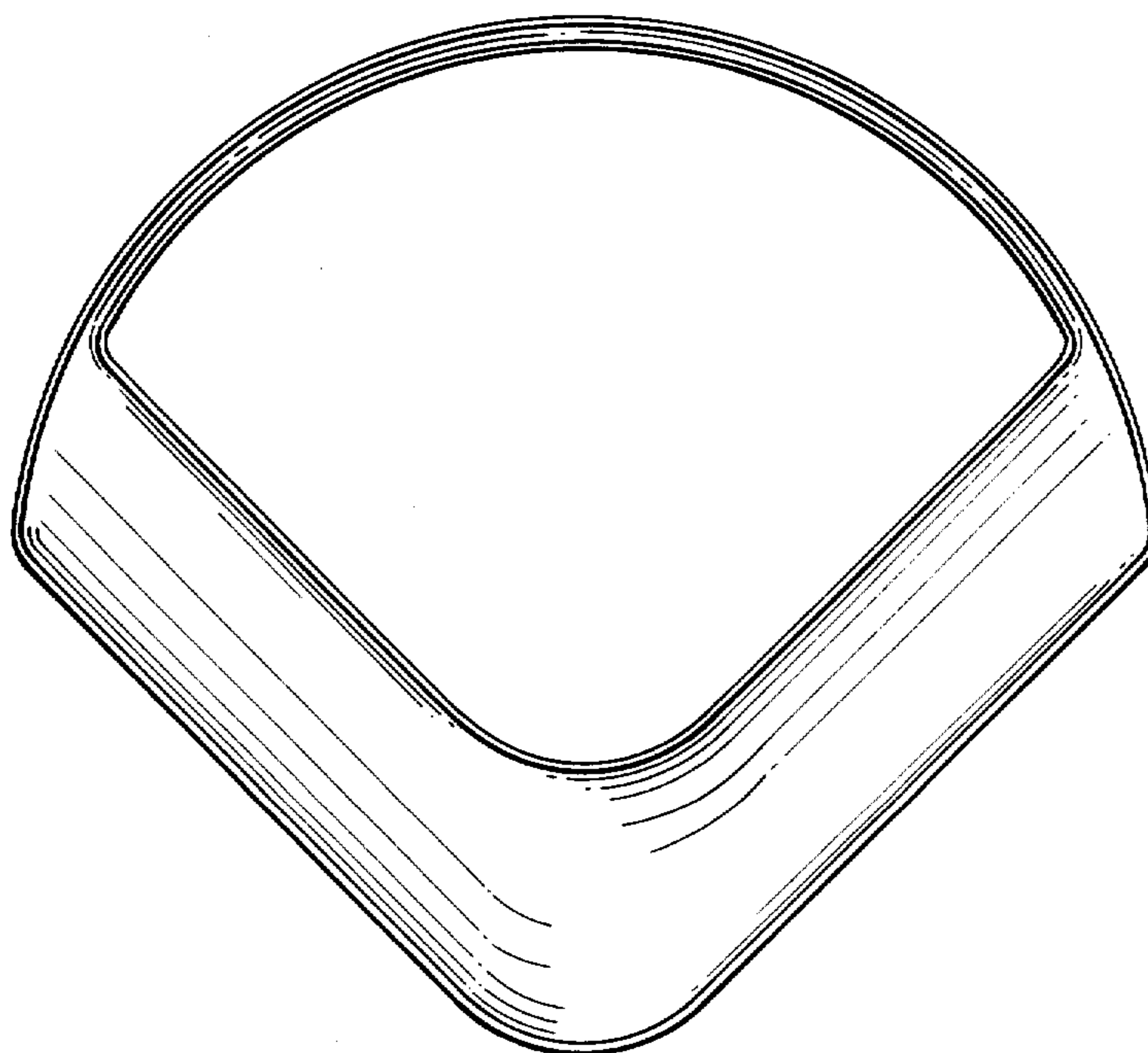
Primary Examiner—Charles A. Rademaker  
Attorney, Agent, or Firm—John M. Romanchik, Jr.

[57] CLAIM

The ornamental design for a boomerang, substantially as shown and described.

DESCRIPTION

FIG. 1 is a perspective view of a boomerang showing my new design;  
FIG. 2 is a rear elevational view thereof shown on an enlarged scale;  
FIG. 3 is a front elevational view thereof; and,  
FIG. 4 is a side elevational view thereof, the side opposite being substantially a mirror image.



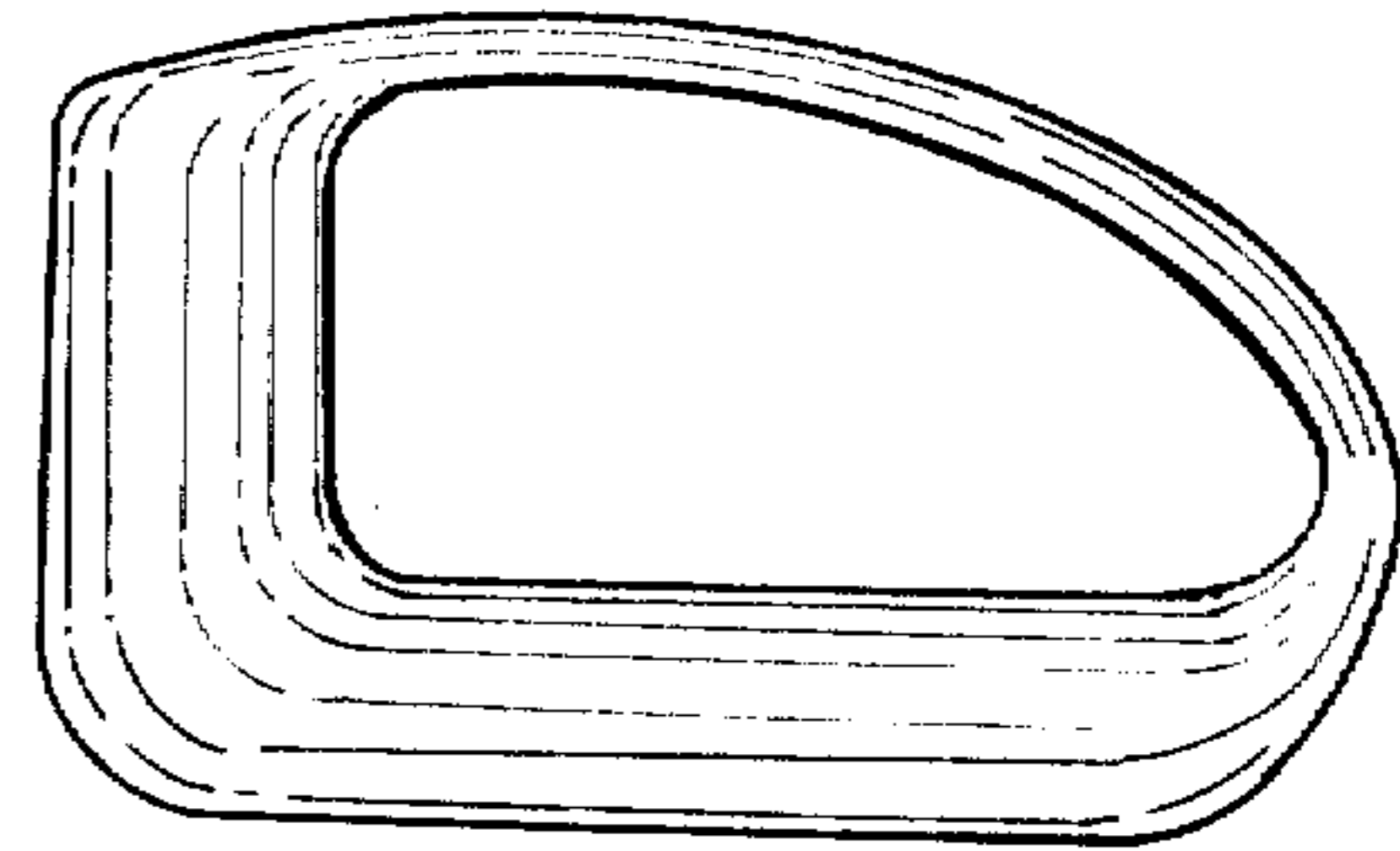


FIG. 1

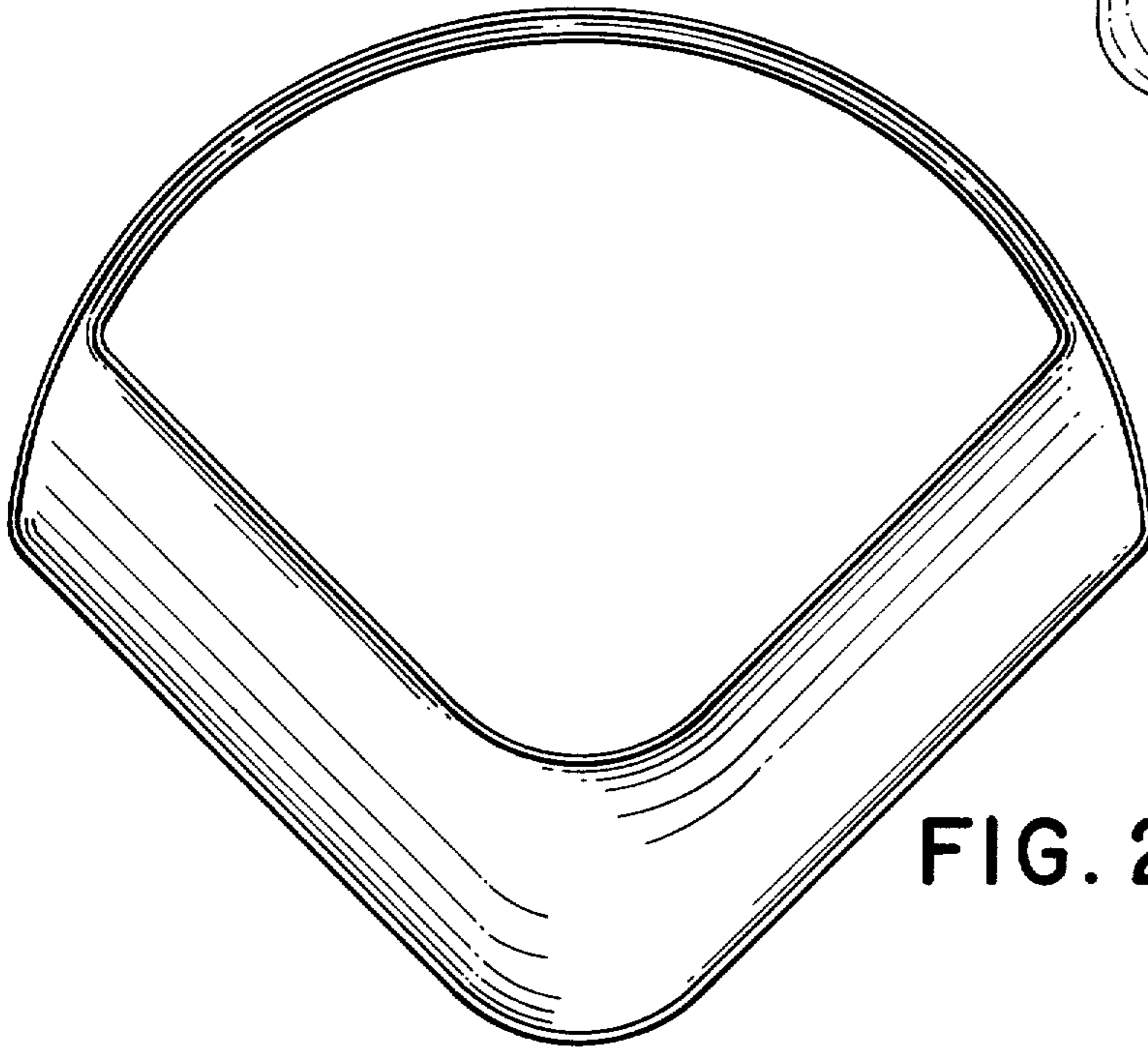


FIG. 2



FIG. 4

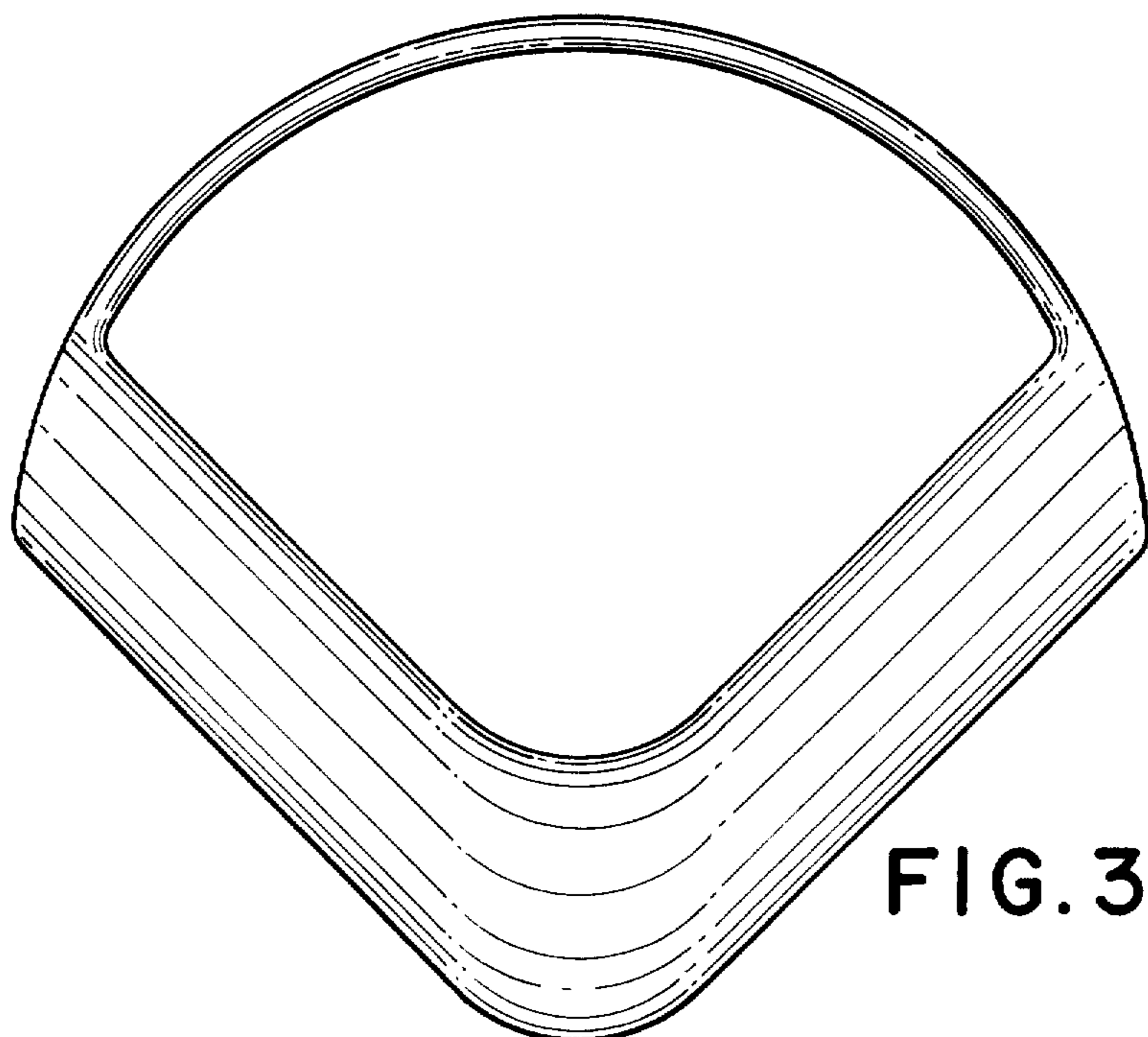


FIG. 3