

[54] TOY ACTIVITY CASE

[75] Inventor: Geoffrey N. Airlie, Nottingham, England

[73] Assignee: Dobson Park Industries Limited, Nottingham, England

[\*\*] Term: 14 Years

[21] Appl. No.: 154,104

[22] Filed: May 28, 1980

[30] Foreign Application Priority Data

Dec. 3, 1979 [GB] United Kingdom ..... 79992644

[51] Int. Cl. .... D21-01

[52] U.S. Cl. .... D21/59; D3/73; D21/111

[58] Field of Search ..... D21/59, 109, 111, 112, D21/64; 46/1 R, 14, 15, 33; D3/72, 73, 76

[56] References Cited

U.S. PATENT DOCUMENTS

D. 198,116	4/1964	Pohlmann .....	D3/73
D. 207,715	5/1967	Ryan et al. ....	D3/76
4,164,309	8/1979	Staats .....	D3/73

Primary Examiner—Charles A. Rademaker  
Attorney, Agent, or Firm—Bertram Frank

[57] CLAIM

The ornamental design for a toy activity case, as shown and described.

DESCRIPTION

FIG. 1 is a perspective view of a toy activity case in an open condition showing my new design; FIG. 2 is another perspective view thereof in a closed condition; FIG. 3 is a side elevational view thereof; and FIG. 4 is a rear elevational view thereof. The side opposite that is shown in FIG. 3 is substantially a mirror image thereof.

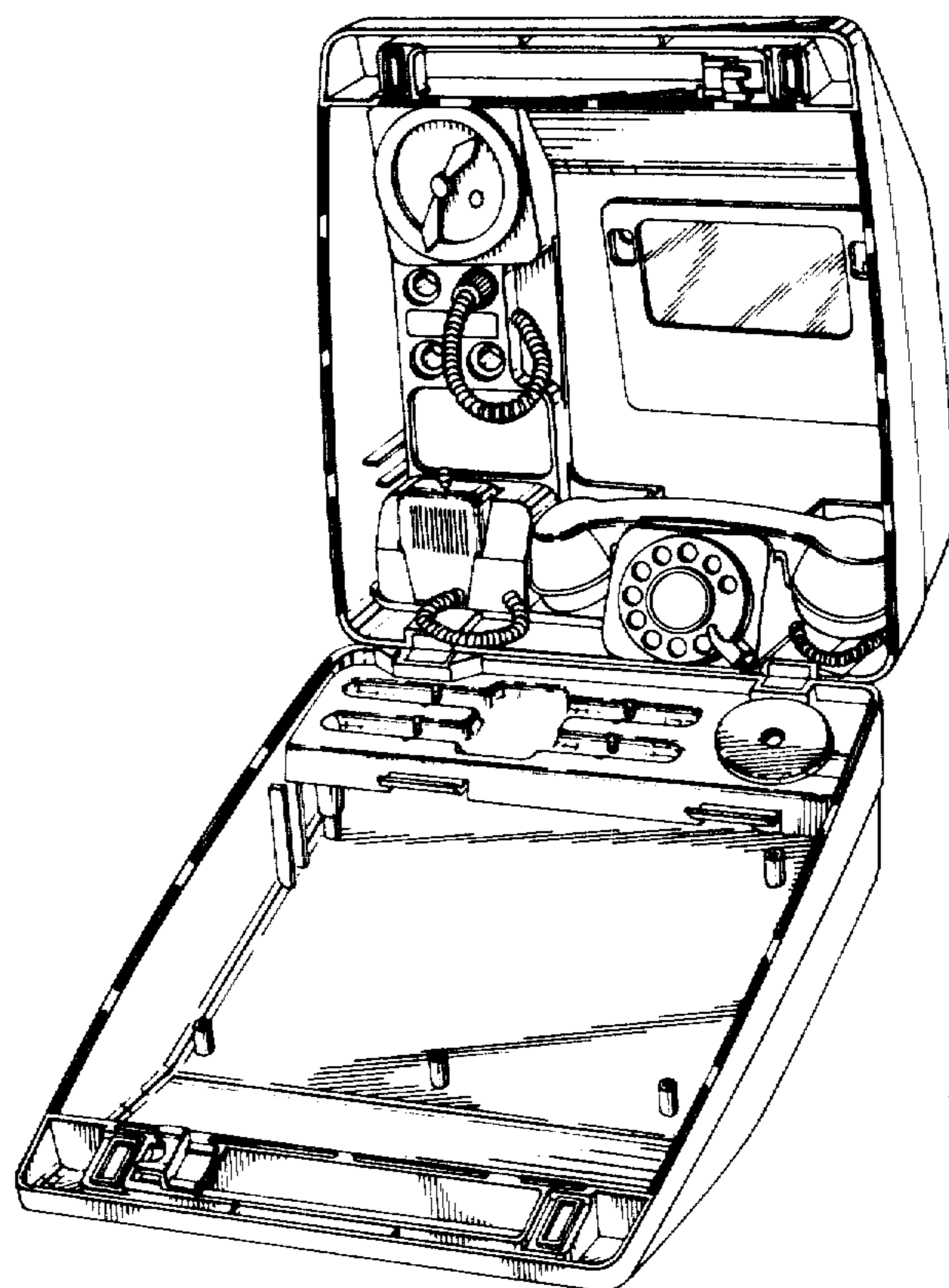


FIG. 1

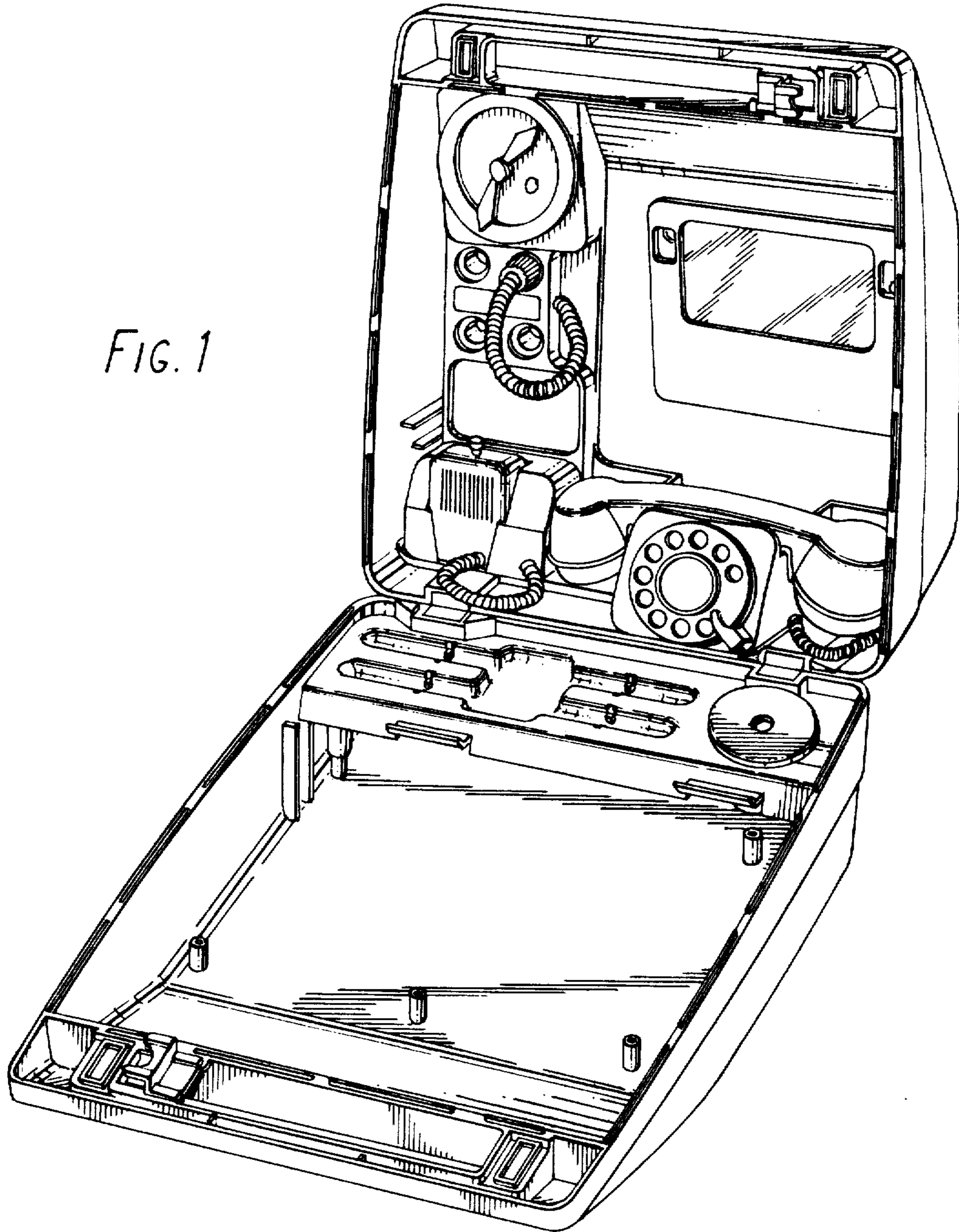


FIG. 2

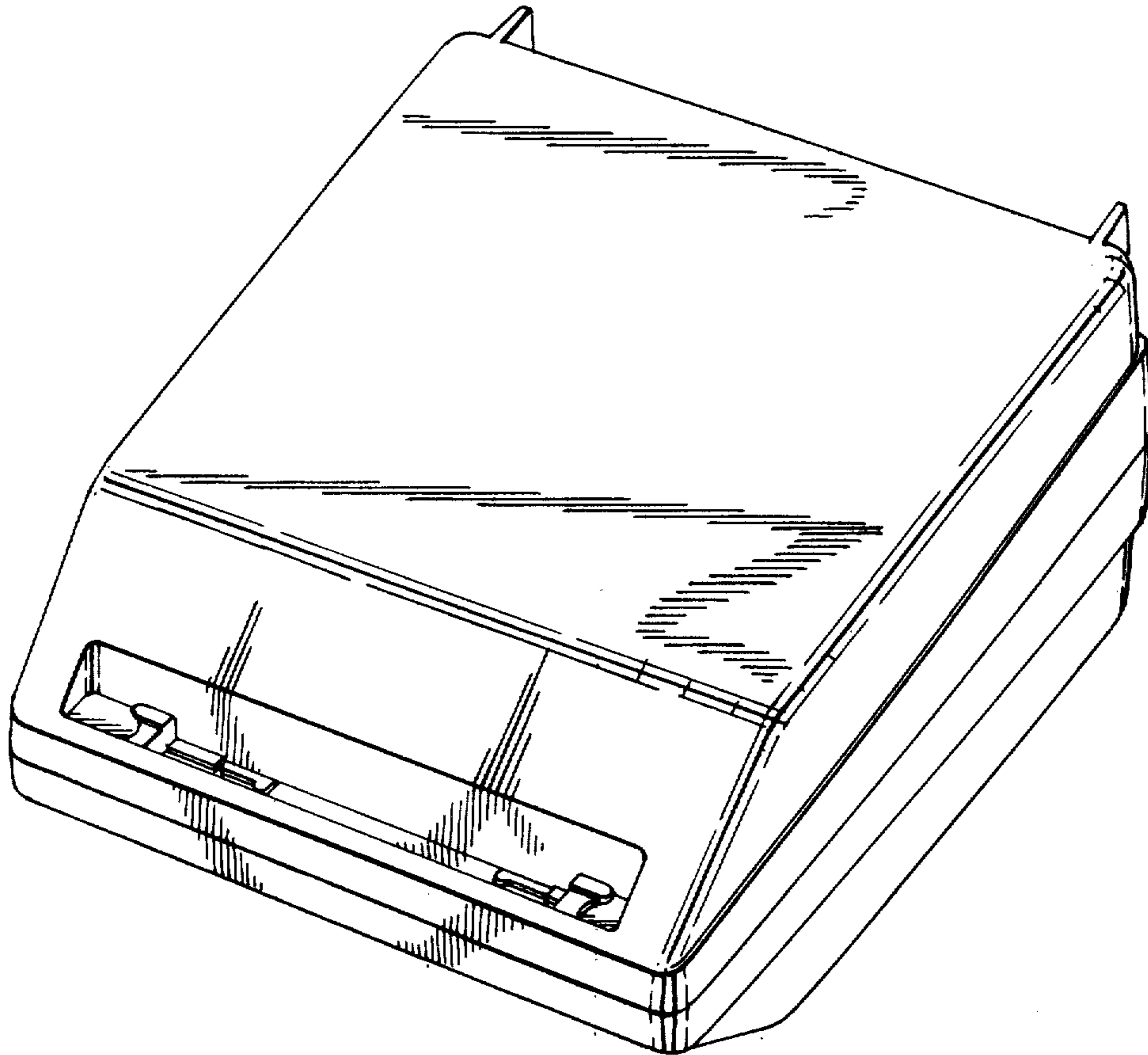


FIG. 3

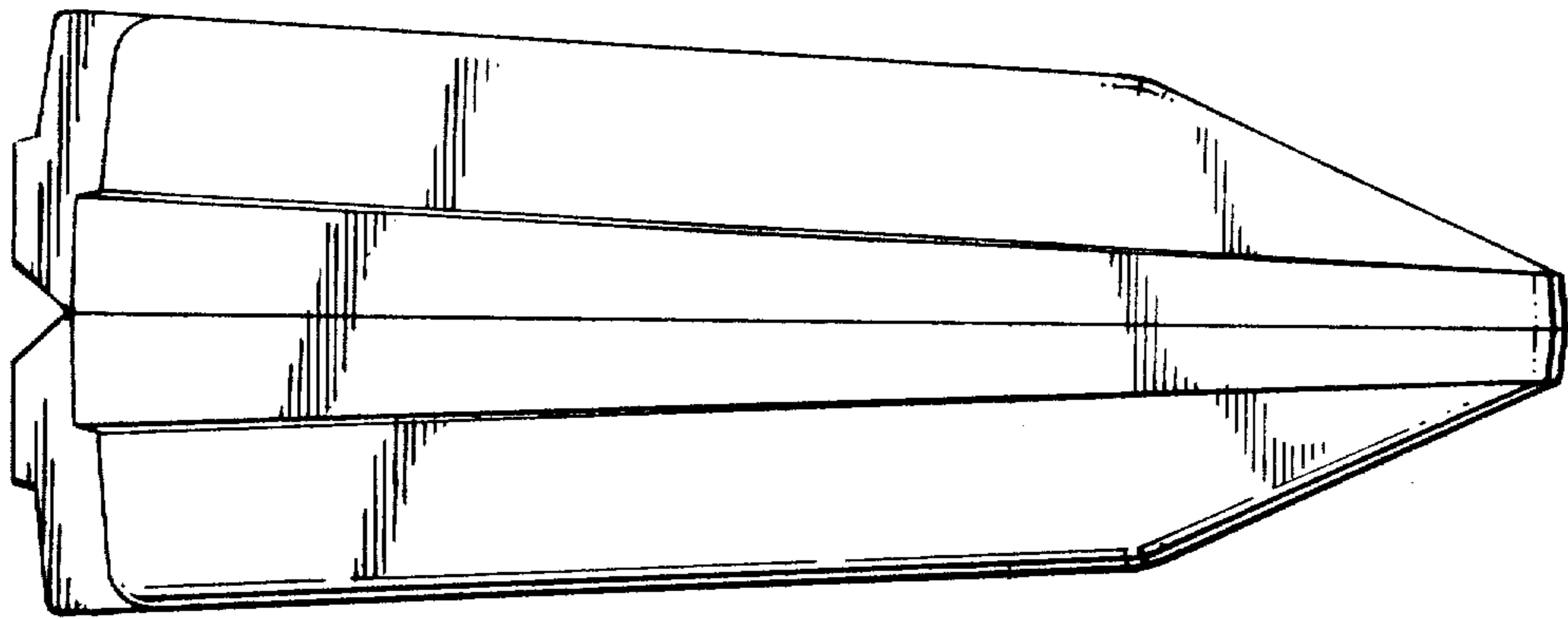


FIG. 4

