

[54] OBSTACLE GAME BOARD

- [75] Inventor: Masaaki Yoshimura, Tokyo, Japan
- [73] Assignee: Tomy Kogyo Co., Inc., Tokyo, Japan
- [\*\*] Term: 14 Years
- [21] Appl. No.: 115,632
- [22] Filed: Jan. 28, 1980
- [51] Int. Cl. .... D21-01
- [52] U.S. Cl. .... D21/59; D21/19
- [58] Field of Search ..... D21/59, 16, 17, 19;  
46/43; 273/110, 287

References Cited

U.S. PATENT DOCUMENTS

- 3,298,692 1/1967 Glass et al. .... 46/43
- 3,300,891 1/1967 Glass et al. .... 46/43

OTHER PUBLICATIONS

Playthings, Mar. 1964, p. 94, Crazy Clock.

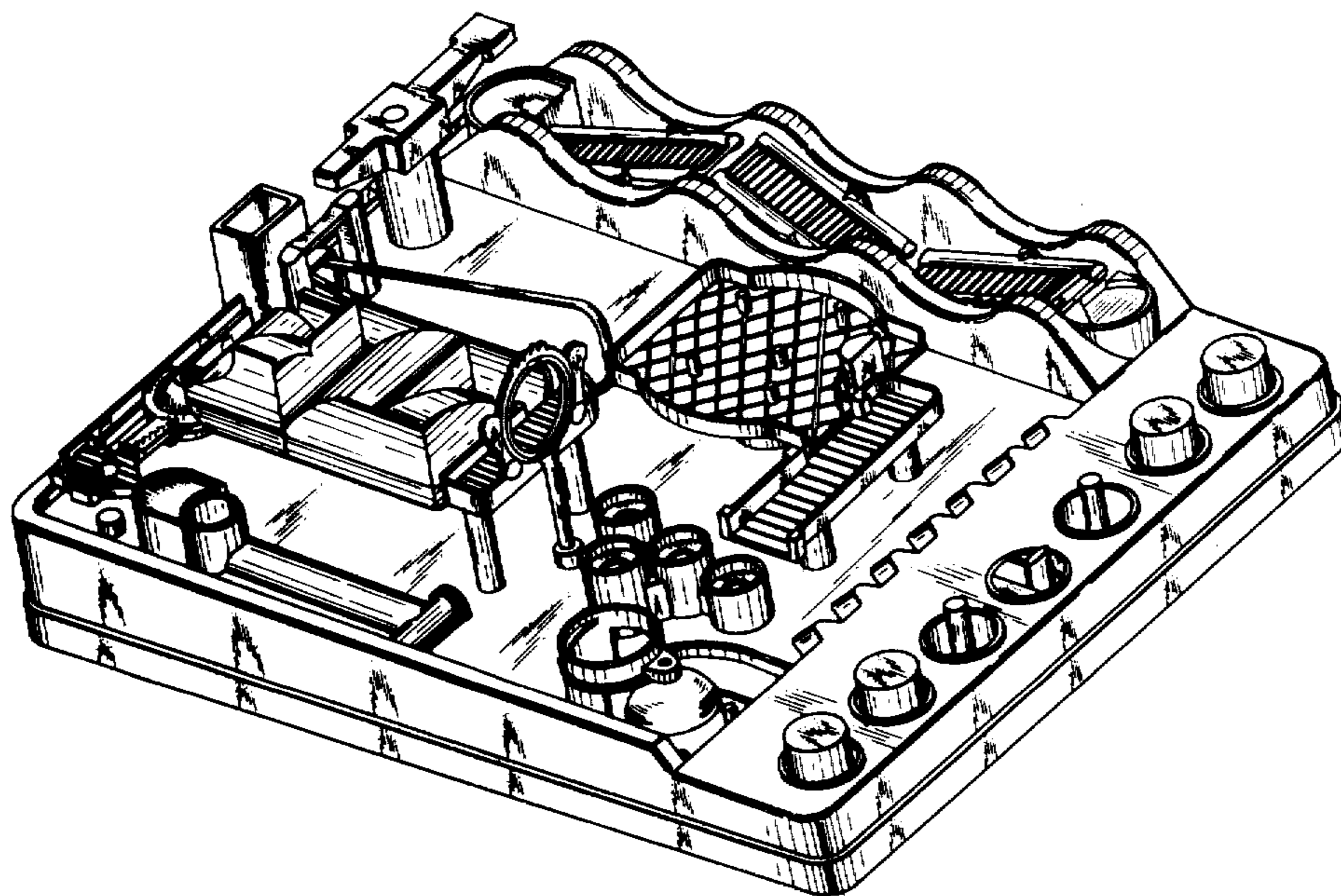
Primary Examiner—Melvin B. Feifer  
Attorney, Agent, or Firm—K. H. Boswell; Edward D. O'Brian

CLAIM

The ornamental design for an obstacle game board, substantially as shown and described.

DESCRIPTION

FIG. 1 is an oblique view showing the top, the left hand side and the front of the game board showing my new design;  
 FIG. 2 is a top plan view of the game shown in FIG. 1; and  
 FIG. 3 is an oblique view of the bottom, the right hand side and the back of the game shown in FIG. 1.



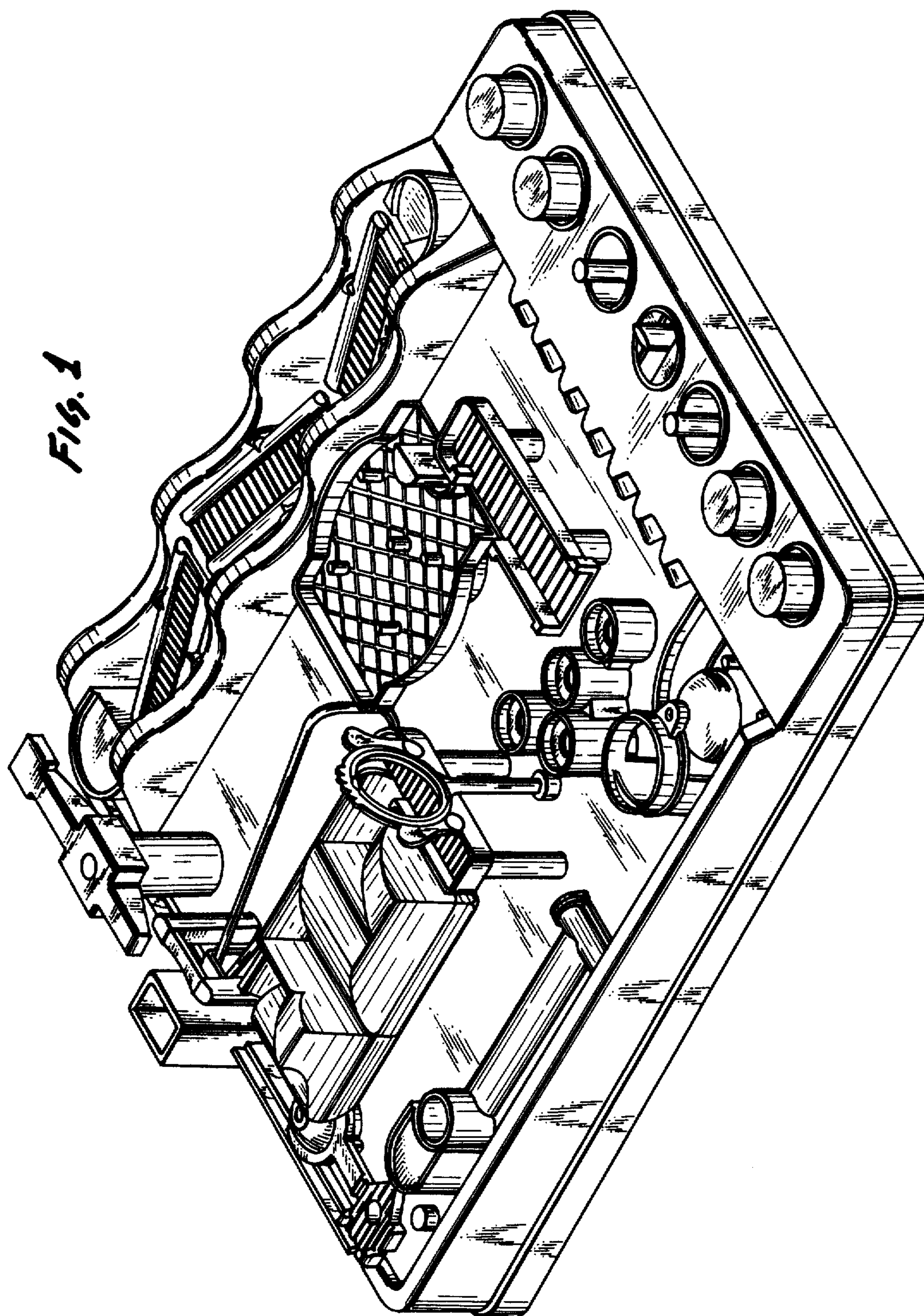


FIG. 1

*Fig. 2*

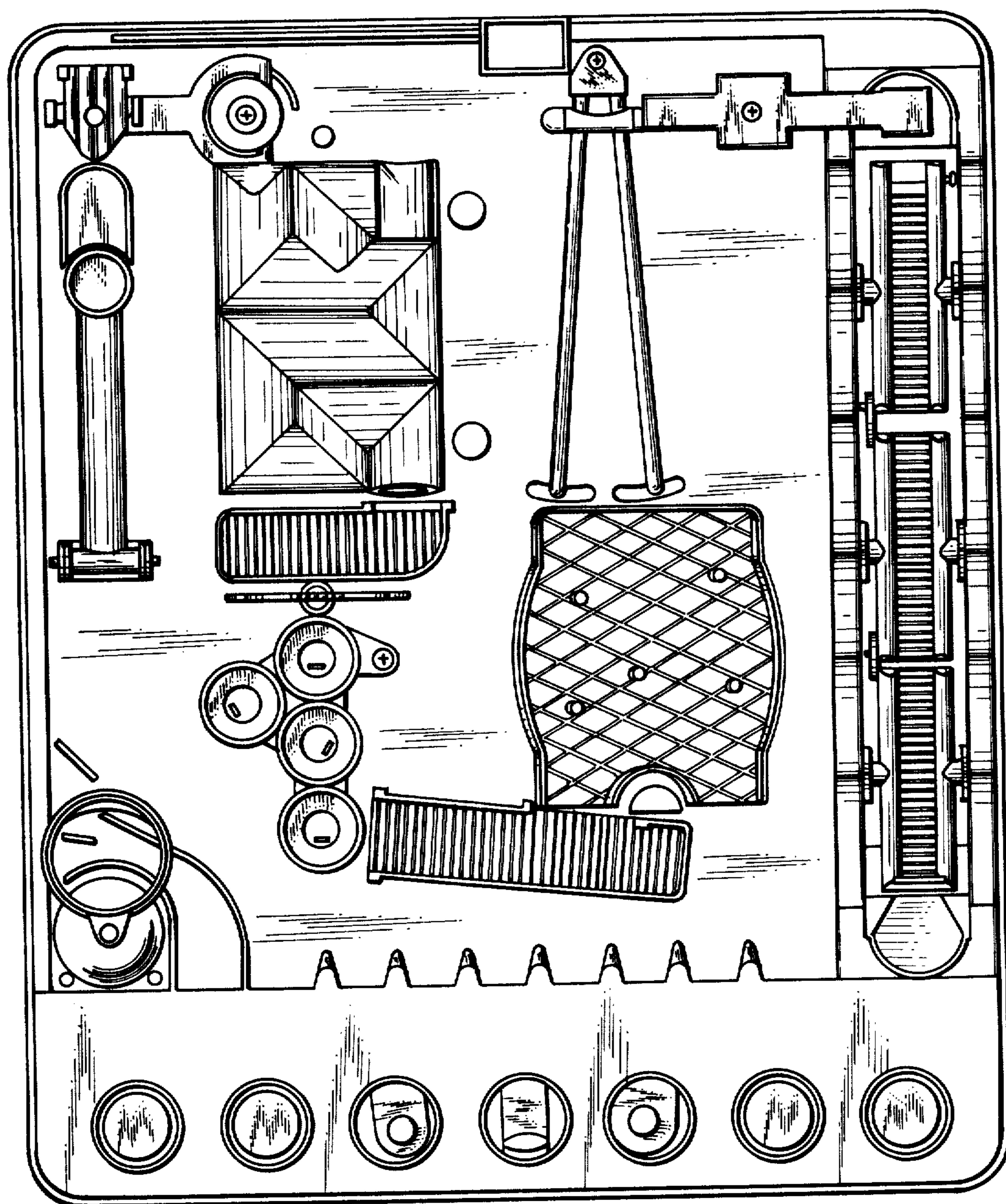


Fig. 3

