

[54] **TYPEWRITER**

[75] Inventor: **John E. Jolliffe, Manlius, N.Y.**
[73] Assignee: **SCM Corporation, New York, N.Y.**
[**] Term: **14 Years**
[21] Appl. No.: **202,834**
[22] Filed: **Oct. 31, 1980**

[51] Int. Cl. **D18-01**
[52] U.S. Cl. **D18/1**
[58] Field of Search **D18/1, 2, 12;**
400/689-690.1, 690.4, 691-693

[56] **References Cited**
U.S. PATENT DOCUMENTS

D. 199,705 12/1964 Abend et al. **D18/1**
D. 206,467 12/1966 Noyes **D18/1**

D. 230,510 2/1974 Sakow **D18/1**
D. 235,115 5/1975 Link **D18/1**
D. 235,167 5/1975 Sakow **D18/1**

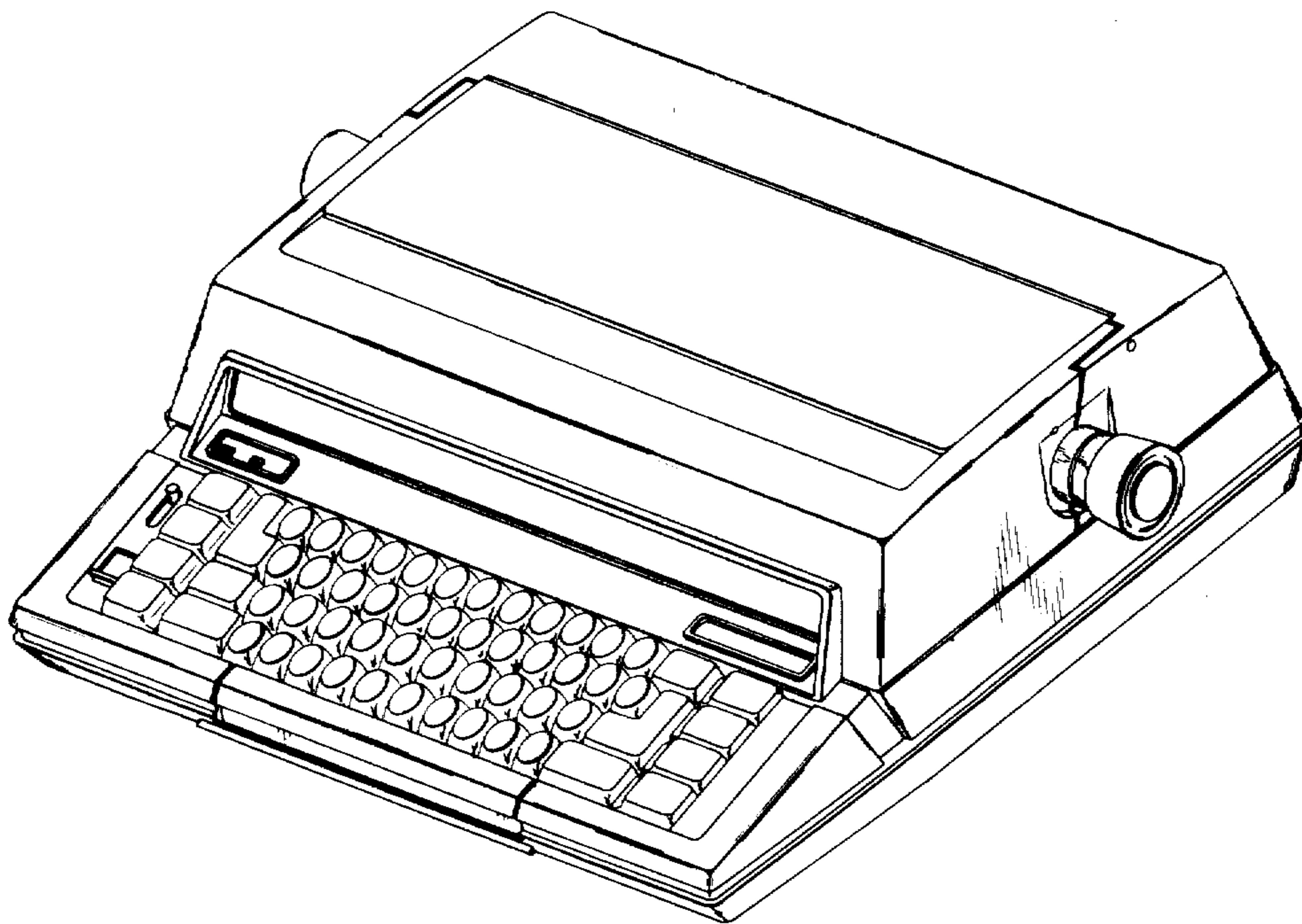
Primary Examiner—Louis S. Zarfaz
Attorney, Agent, or Firm—William E. Mear, III; Ernest
F. Weinberger

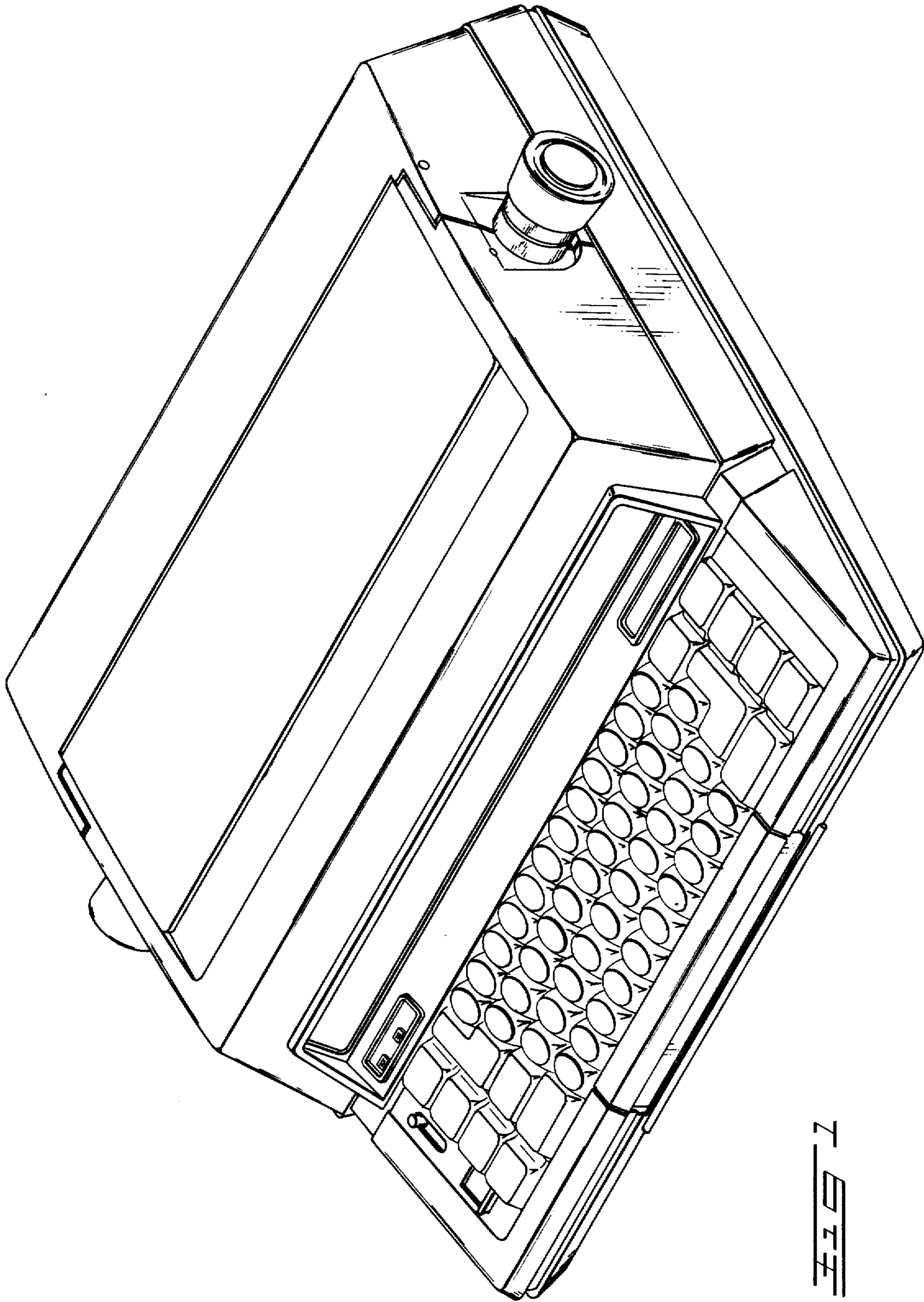
[57] **CLAIM**

The ornamental design for a typewriter, as shown.

DESCRIPTION

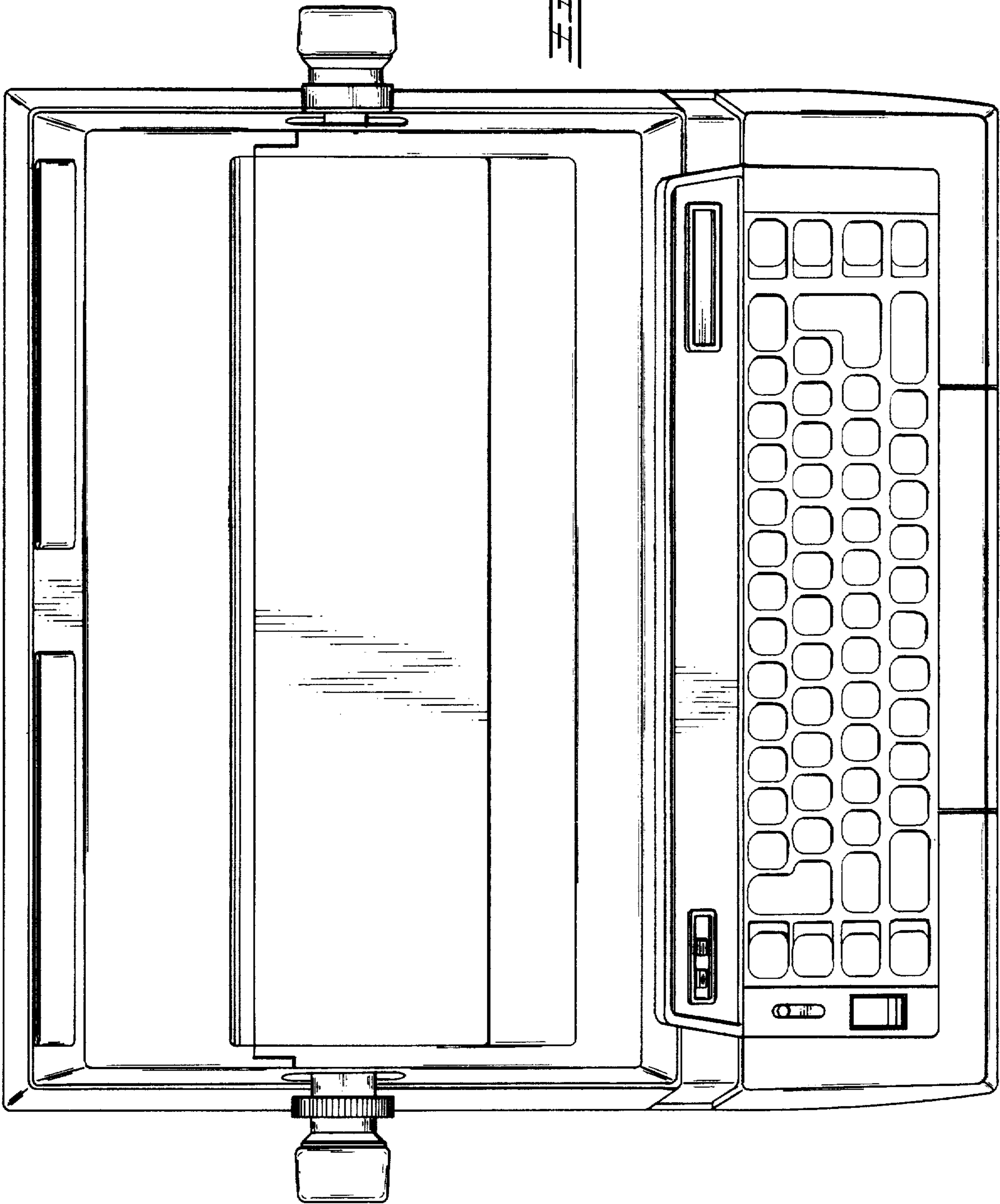
FIG. 1 is a front isometric view of a typewriter showing my new design;
FIG. 2 is a top plan view thereof;
FIG. 3 is a bottom plan view thereof;
FIG. 4 is a front elevational view thereof;
FIG. 5 is a rear elevational view thereof;
FIG. 6 is a left side elevational view thereof; and
FIG. 7 is a right side elevational view thereof.

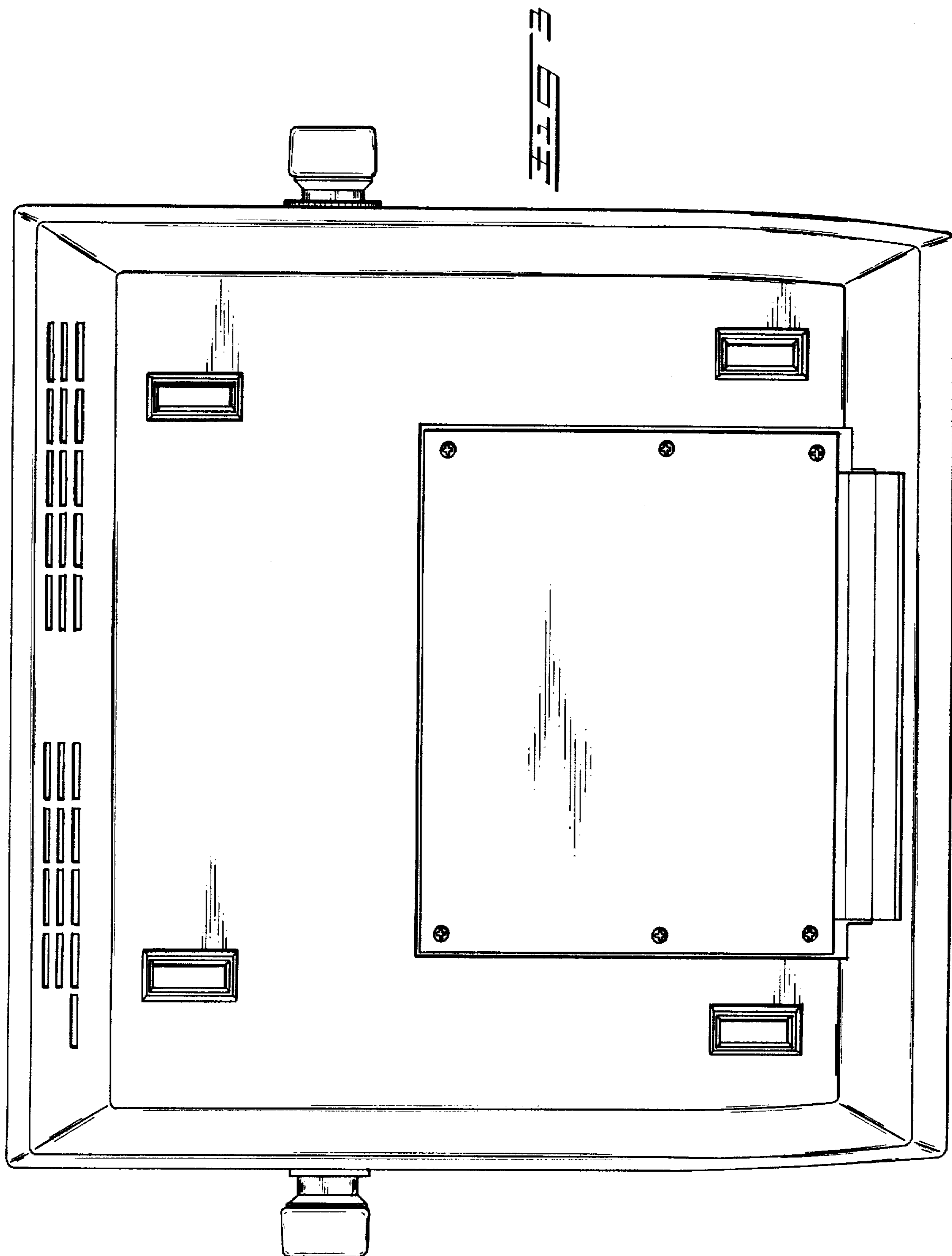




1-875

Fig. 2





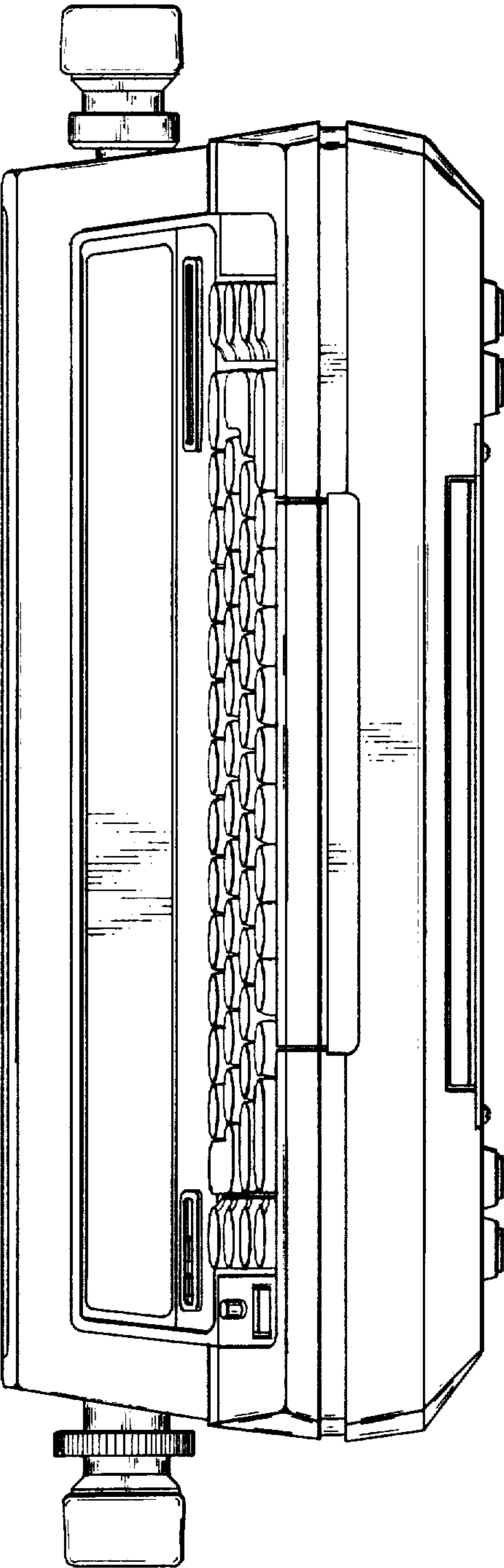


FIG. 4

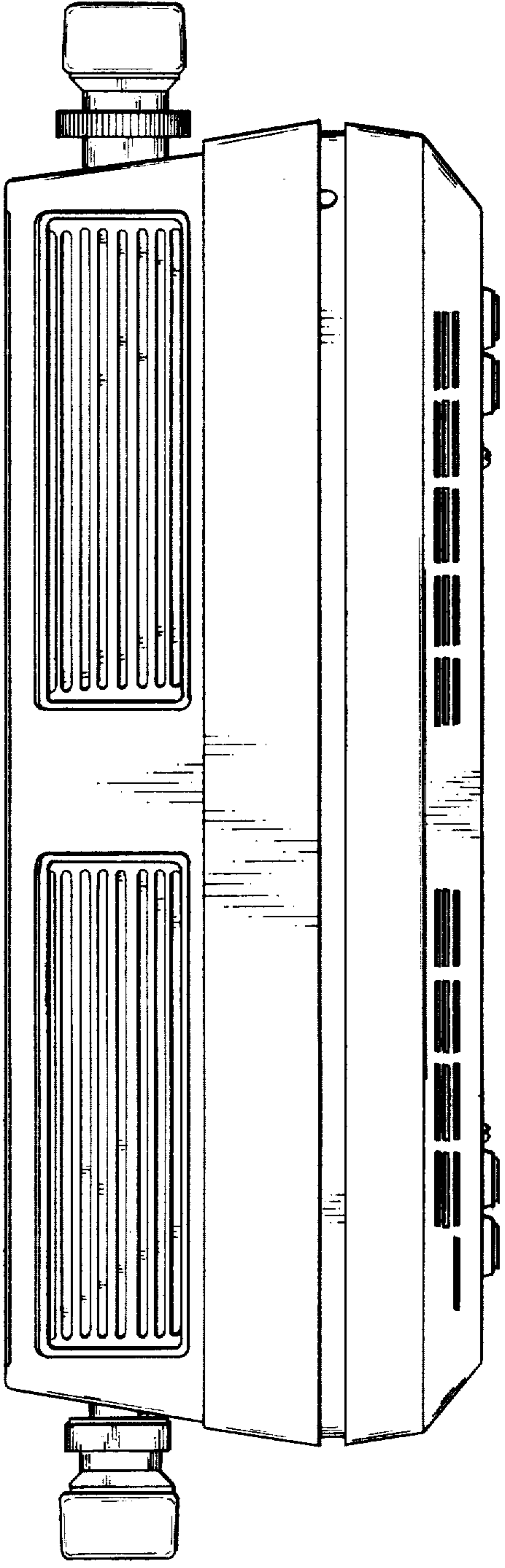


FIG. 5

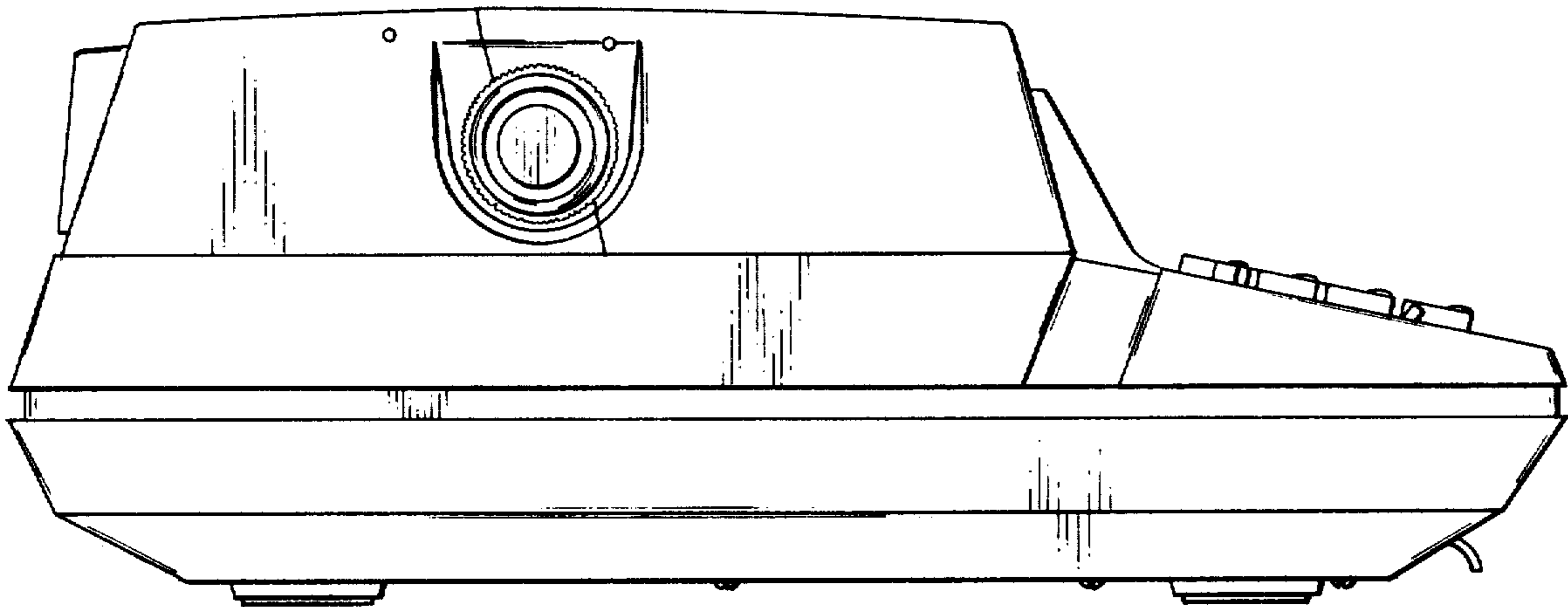


FIG 6

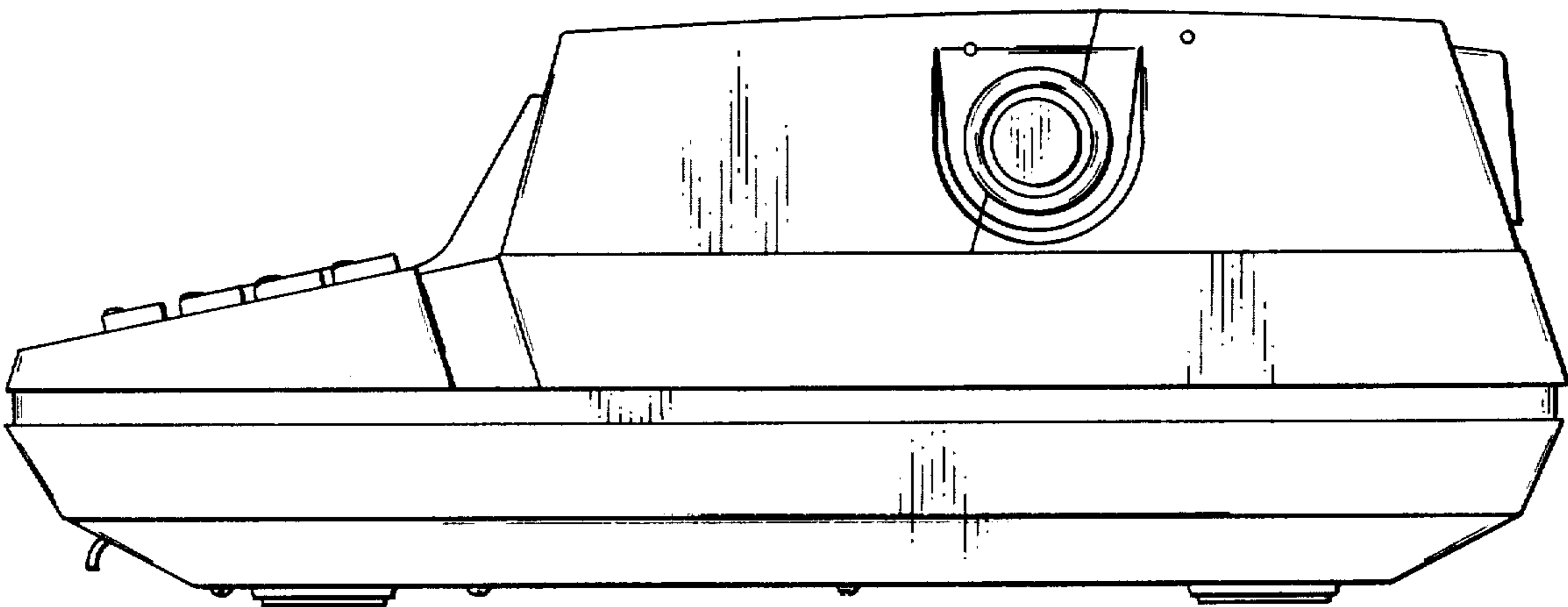


FIG 7