

[54] **MAGNETIC DISC DRIVE**

- [75] Inventor: **Terence H. West**, San Jose, Calif.
- [73] Assignee: **Priam Corporation**, San Jose, Calif.
- [**] Term: **14 Years**
- [21] Appl. No.: **149,973**
- [22] Filed: **May 15, 1980**
- [51] Int. Cl. **D14-02**
- [52] U.S. Cl. **D14/109**
- [58] Field of Search **D14/109; 360/97, 98, 360/99, 102, 133**

[56] **References Cited**

U.S. PATENT DOCUMENTS

- D. 244,387 5/1977 Butsch D14/109
- 3,899,794 8/1975 Brown, Jr. D14/109 X
- 4,260,208 4/1981 Ho 312/242
- 4,282,554 8/1981 Ho 360/97

Primary Examiner—Susan J. Lucas

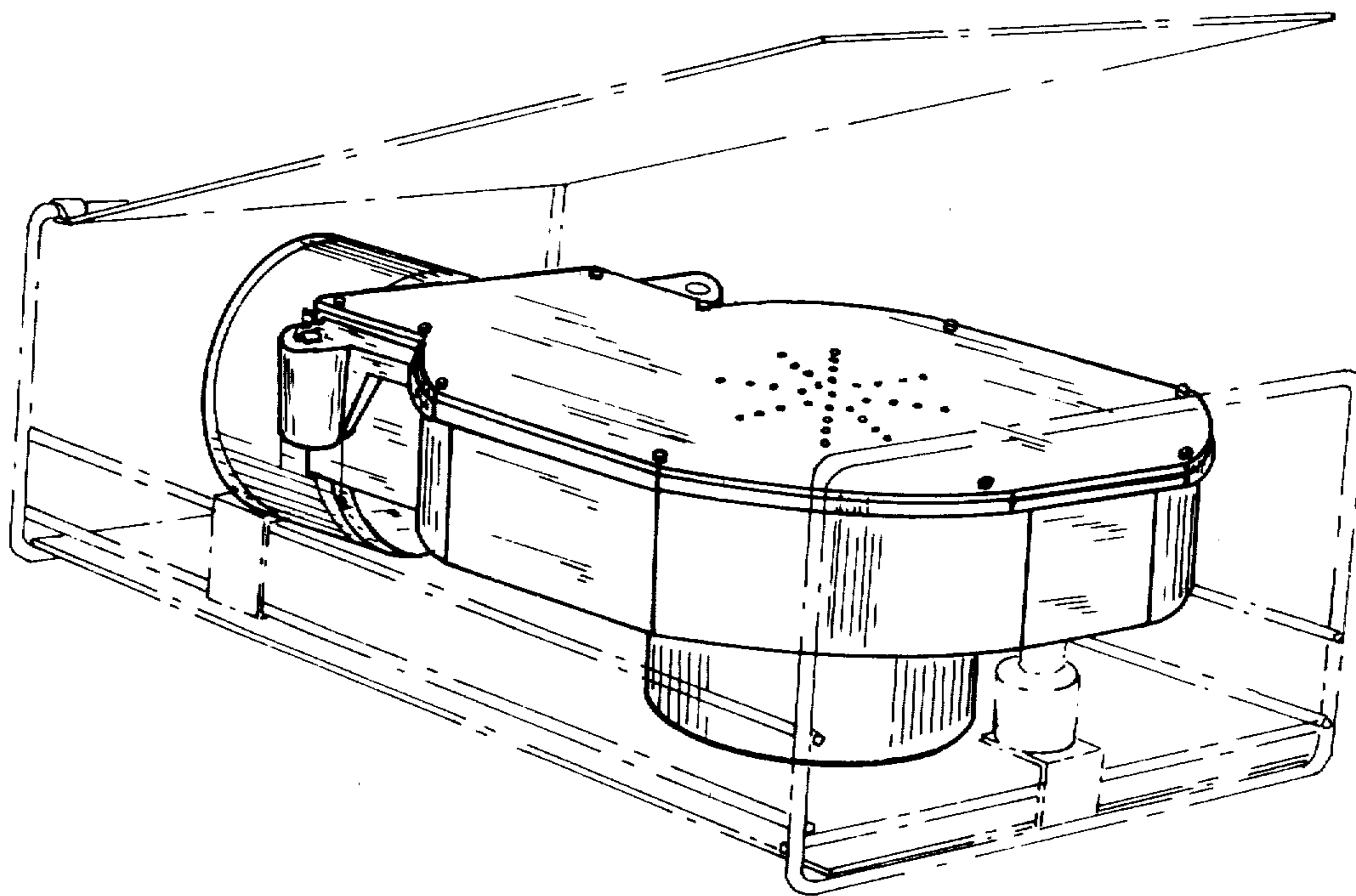
Attorney, Agent, or Firm—Flehr, Hohbach, Test, Albritton & Herbert

[57] **CLAIM**

The ornamental design for a magnetic disc drive, as shown and described.

DESCRIPTION

FIG. 1 is a perspective view of the magnetic disc drive showing my new design;
 FIG. 2 is a perspective view thereof;
 FIG. 3 is a top plan view thereof on an enlarged scale;
 FIG. 4 is a bottom plan view thereof on an enlarged scale;
 FIG. 5 is a side elevational view thereof on an enlarged scale;
 FIG. 6 is a front elevational view thereof on an enlarged scale; and
 FIG. 7 is a rear elevational view thereof on an enlarged scale.
 The support structure is shown in broken lines in FIG. 1 for illustration purposes only.



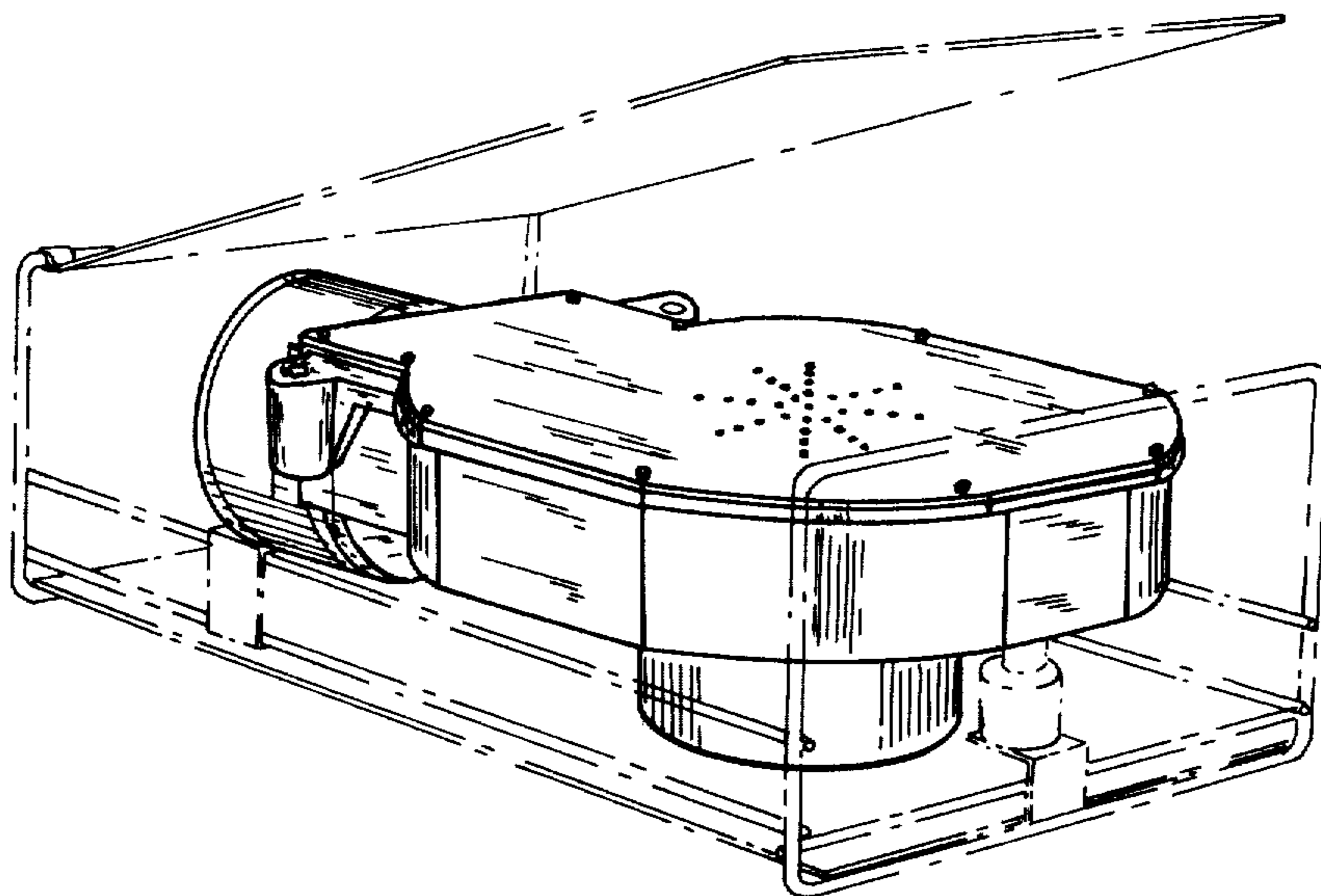


FIG.—1

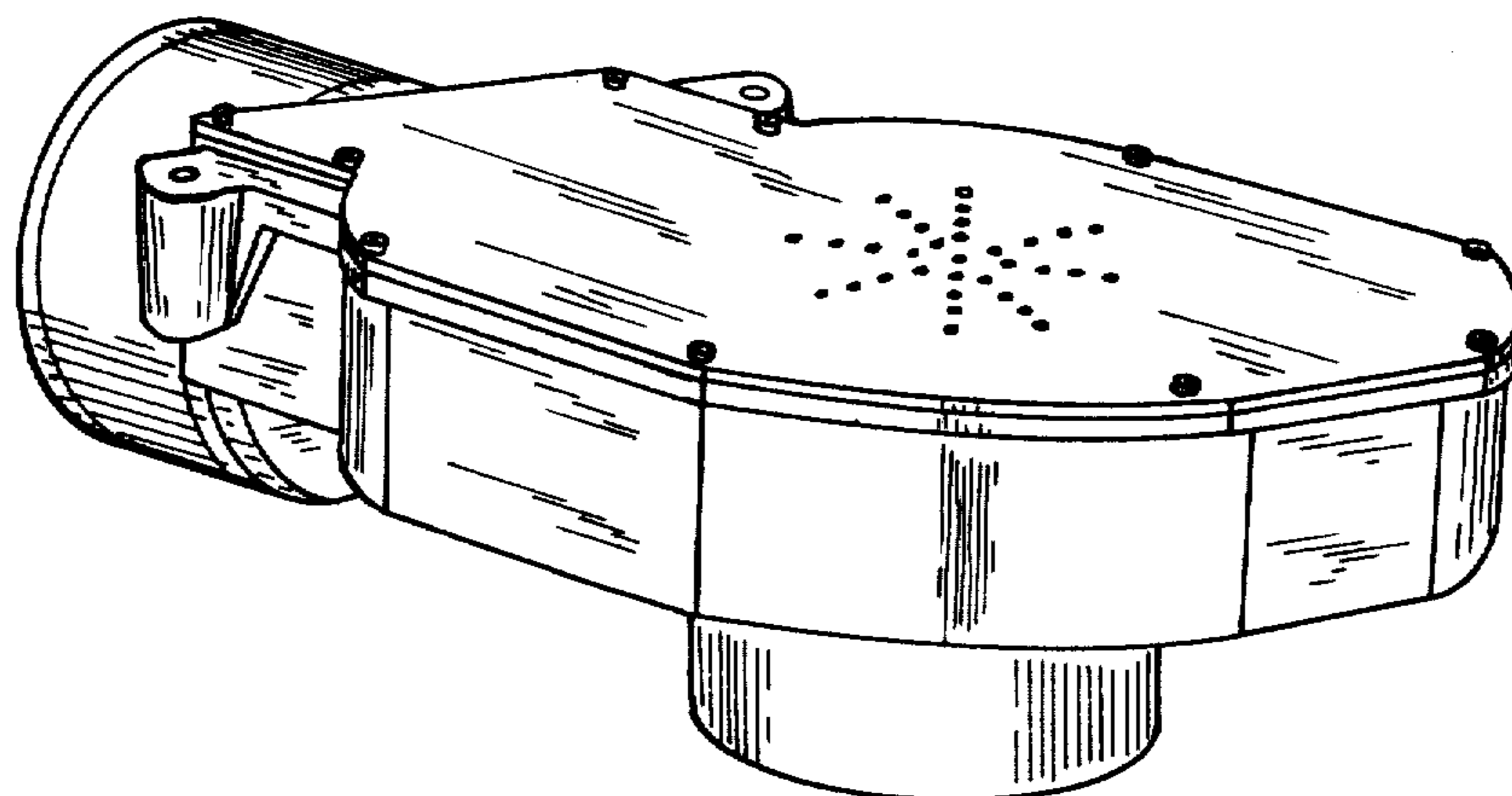


FIG.—2

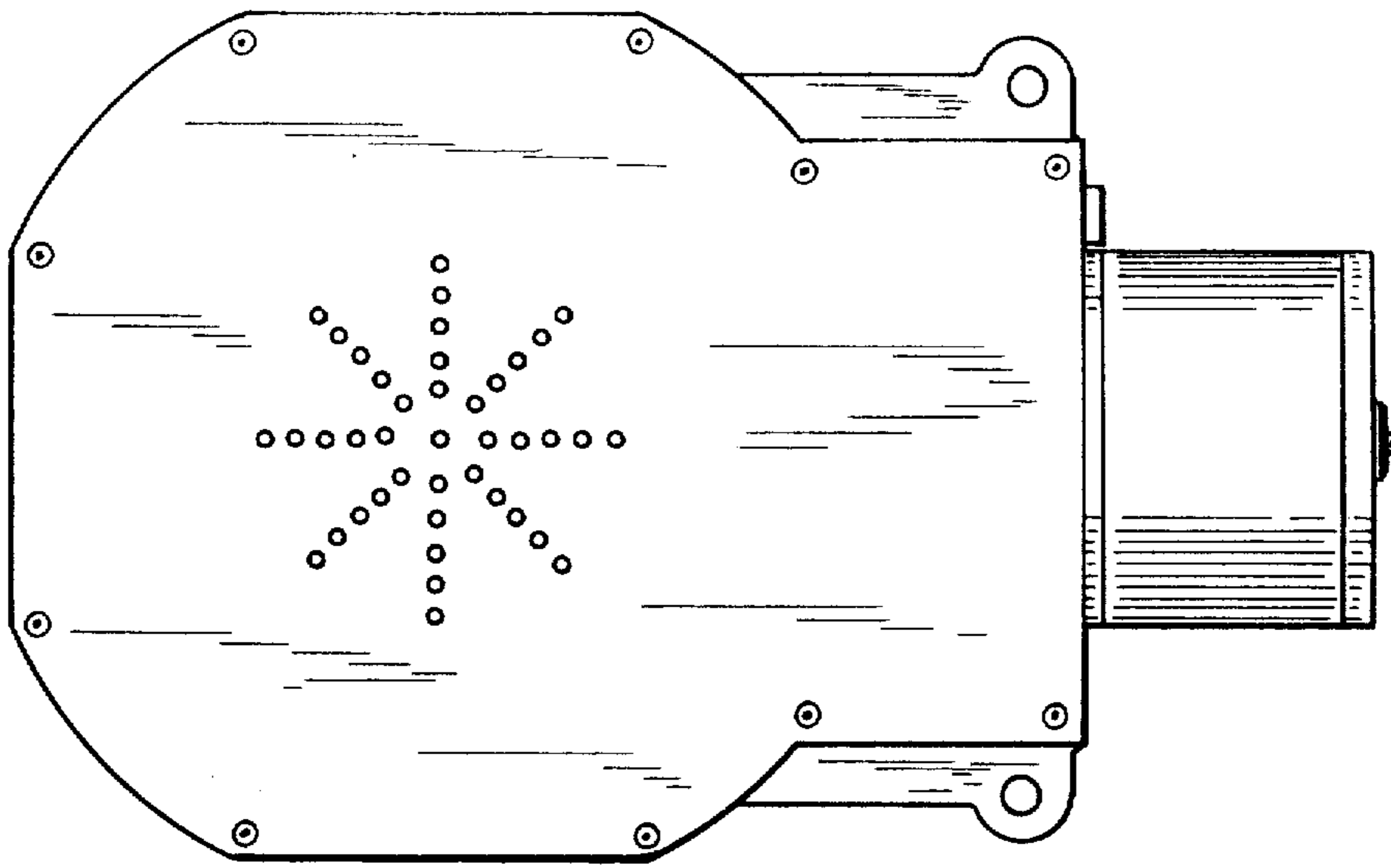


FIG.— 3

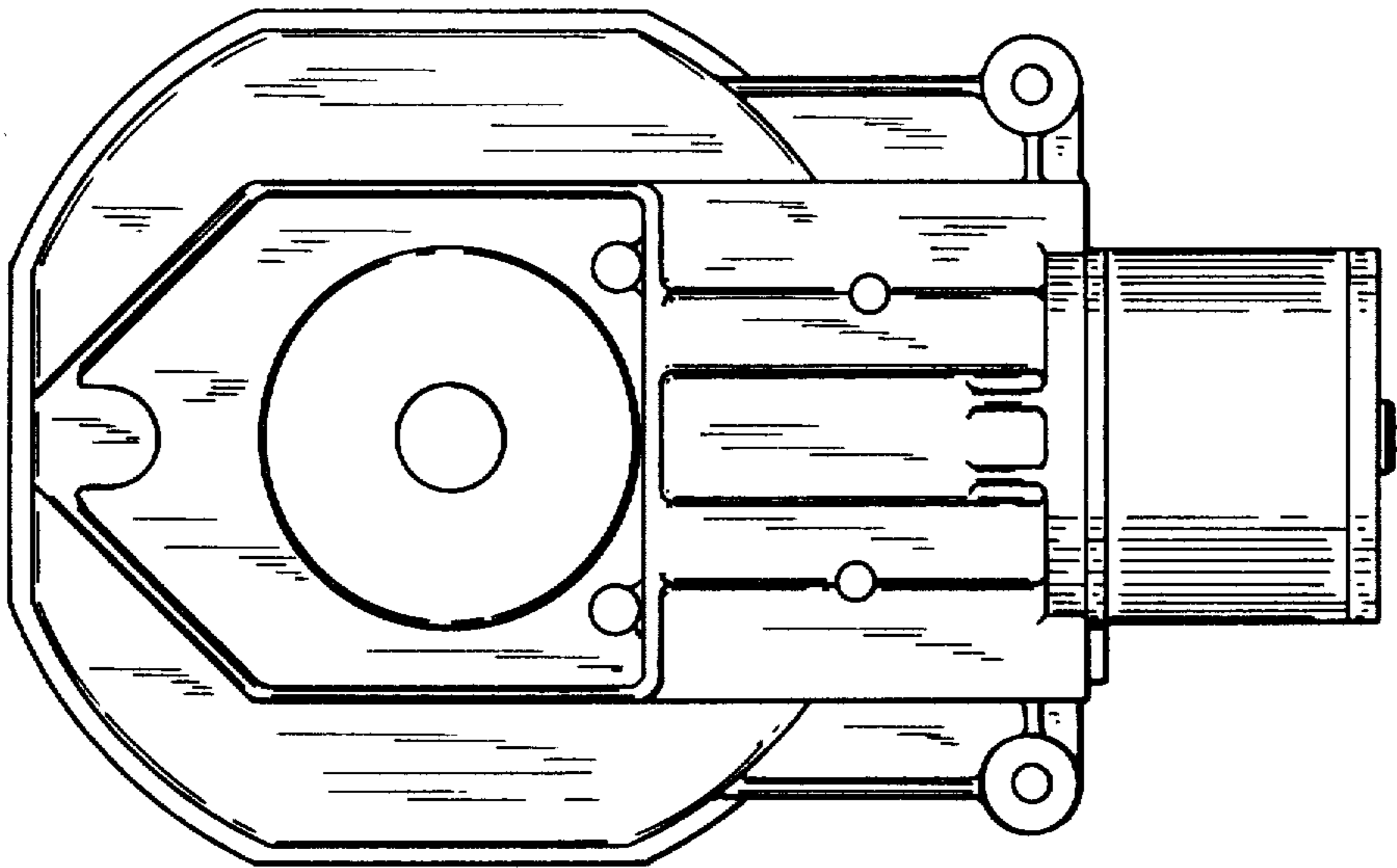


FIG.— 4

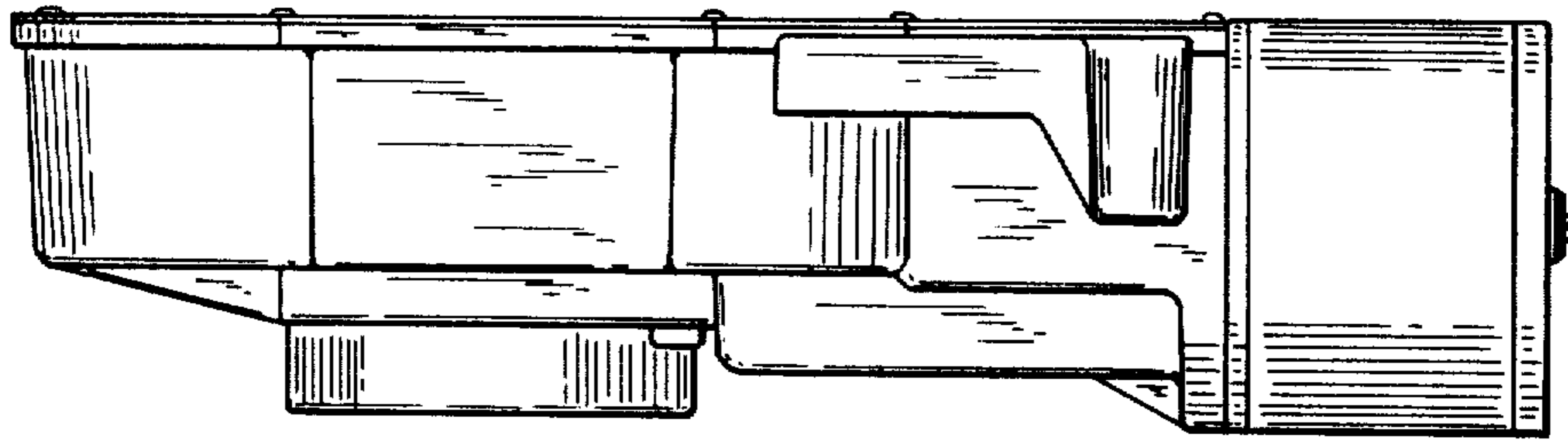


FIG. — 5

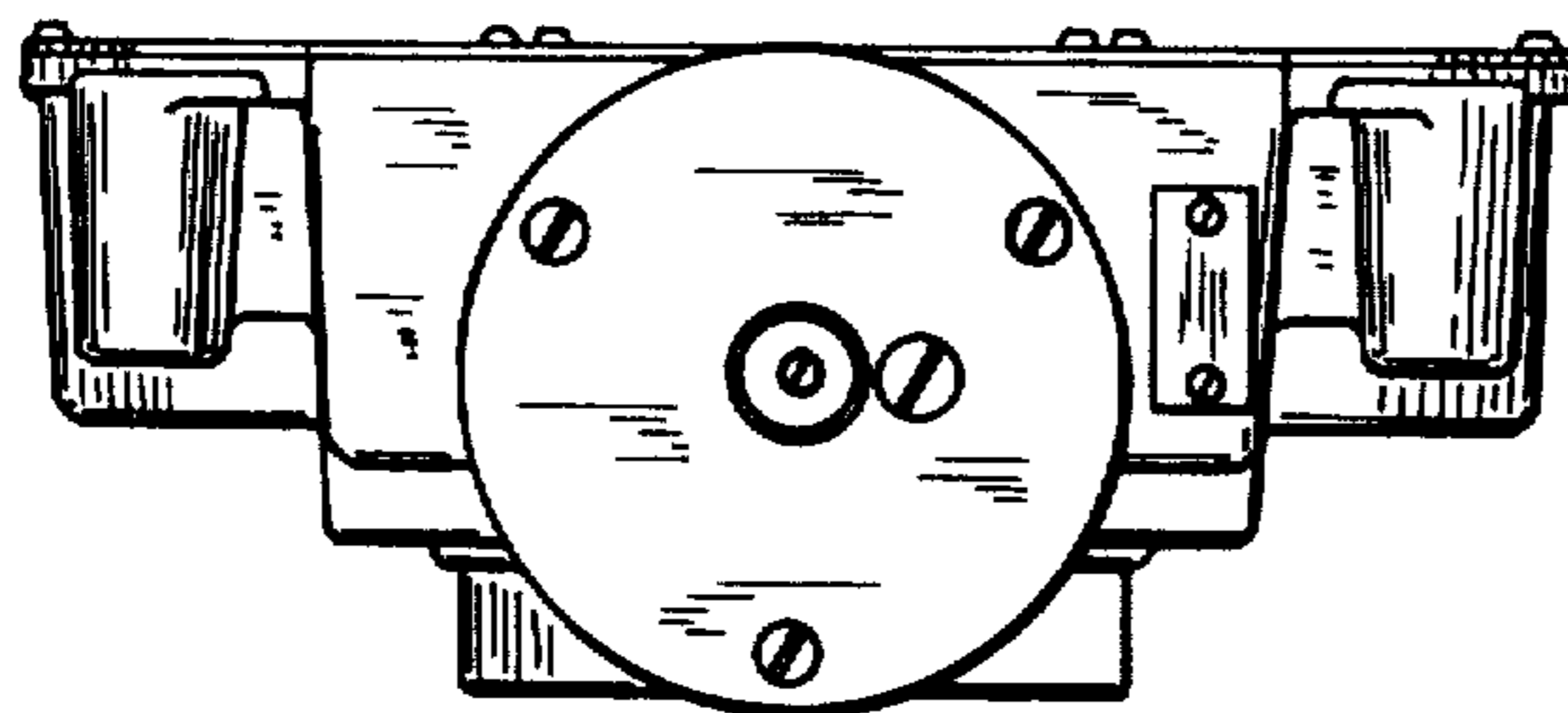


FIG. — 6

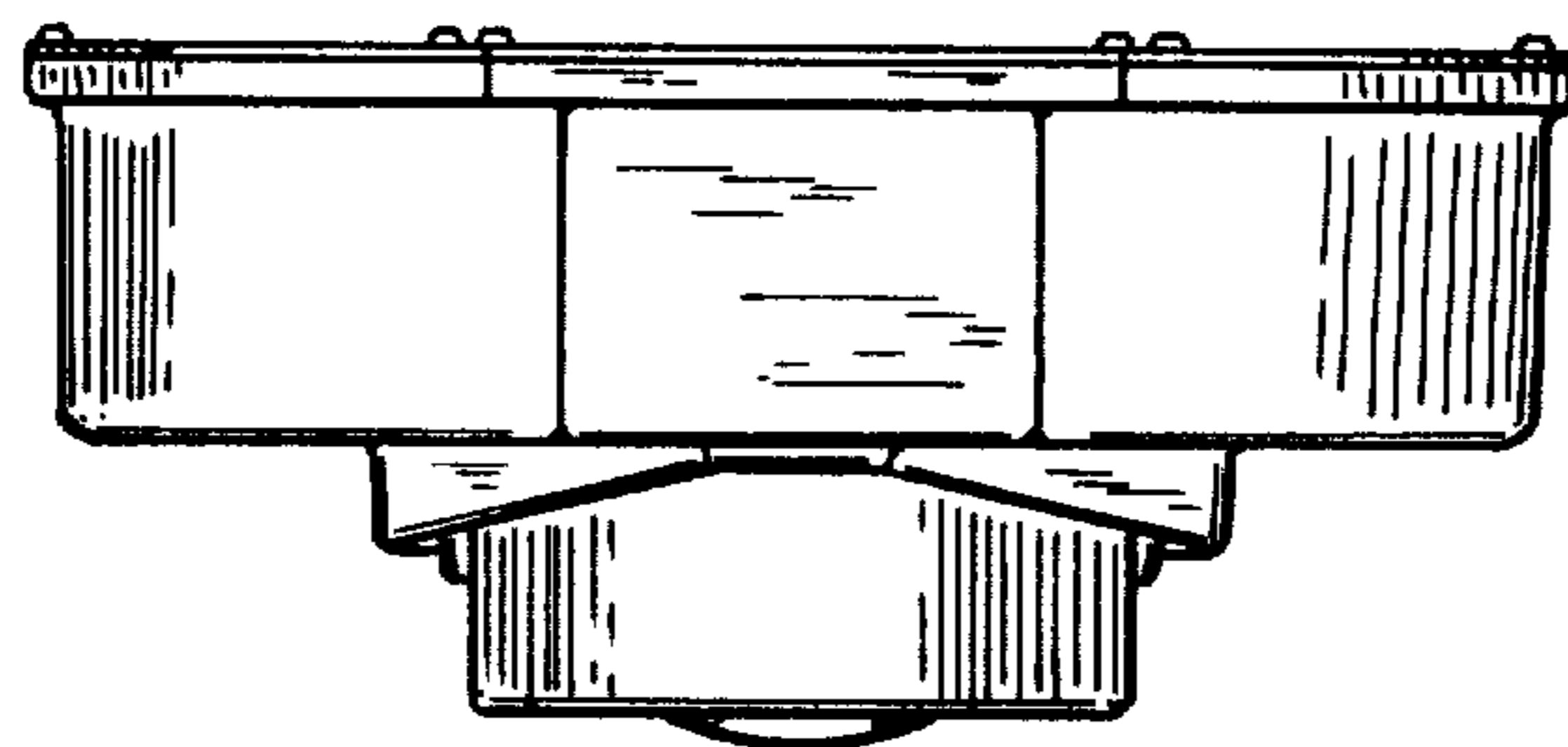


FIG. — 7