

[54] COMBINED RADIO RECEIVER AND TAPE RECORDER

[75] Inventors: Kunio Hoshino; Kazumasa Takenaka, both of Katano; Teruyuki Nishimoto; Shuhei Taguchi, both of Hirakata; Kikuo Ohta, Ikoma; Benito Mishiro, Sasai, all of Japan

[73] Assignee: Matsushita Electric Industrial Co., Ltd., Osaka, Japan

[**] Term: 14 Years

[21] Appl. No.: 192,562

[22] Filed: Sep. 30, 1980

[30] Foreign Application Priority Data
Apr. 2, 1980 [JP] Japan 55-13164

[51] Int. Cl. D14-01; D14-03

[52] U.S. Cl. D14/5; D14/34; D14/70; D14/77

[58] Field of Search D14/1, 2, 5, 6, 34, D14/39, 68, 70-76, 79, 99

[56] References Cited

U.S. PATENT DOCUMENTS

- D. 259,785 7/1981 Kushida et al. D14/5
- D. 263,221 3/1982 Hisano et al. D14/72 X

OTHER PUBLICATIONS

- Circuit City 11-19-78, Supplement to the *Washington Post*, p. 53.
- Sanyo Supplement to 6-4-79, *Retailing Home Furnishings*, p. "3", Model #M9977.
- Penthouse*, 12-79, Ad for Panasonic RX-5500.

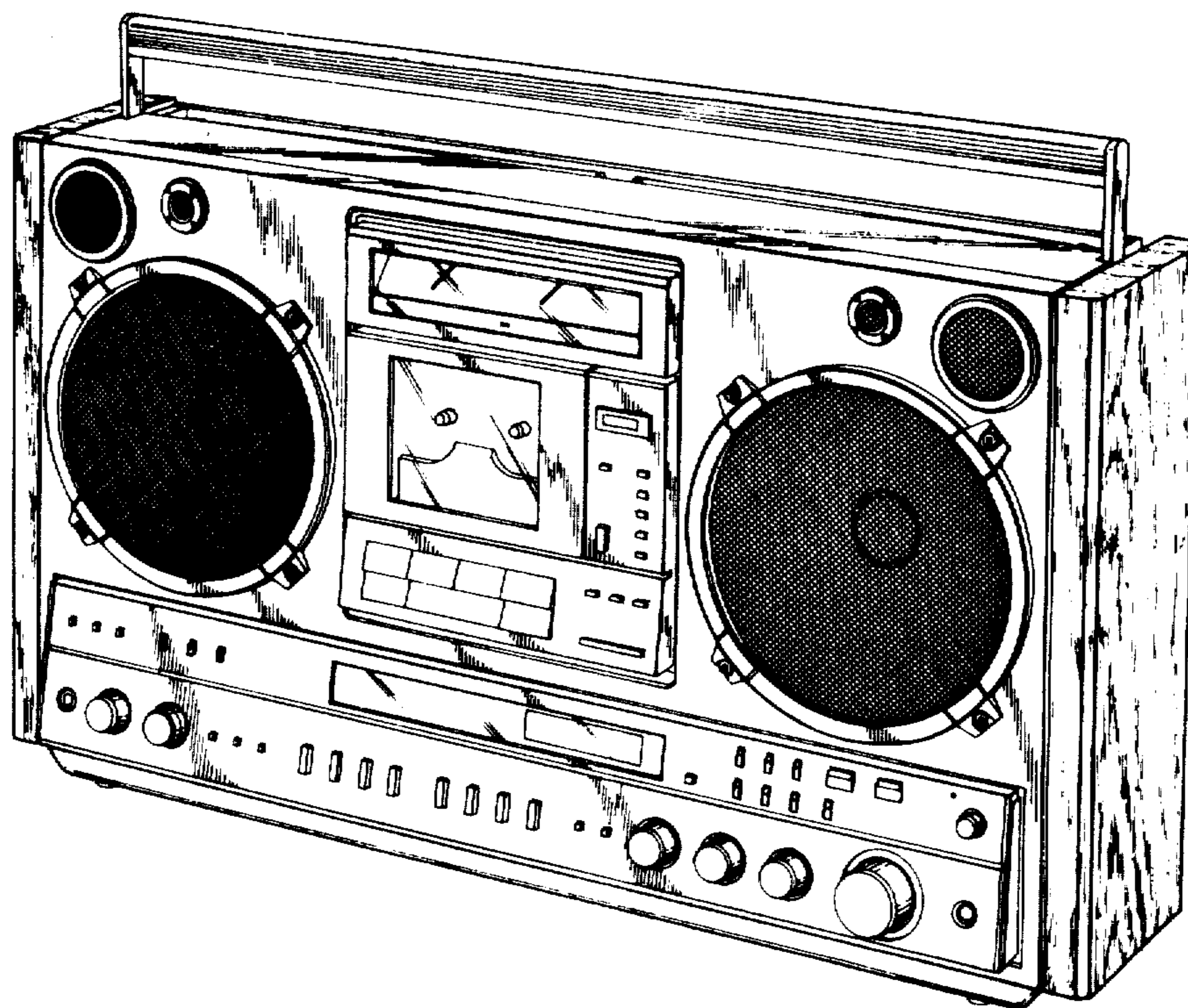
Primary Examiner—Jane E. Corrigan
Attorney, Agent, or Firm—Sughrue, Mion, Zinn, Macpeak & Seas

[57] CLAIM

The ornamental design for a combined radio receiver and tape recorder, as shown.

DESCRIPTION

FIG. 1 is a front, top and right side perspective view of a combined radio receiver and tape recorder showing our new design; FIG. 2 is a rear, bottom and left side perspective view thereof; FIG. 3 is a top plan view thereof; and FIG. 4 is a left side elevational view thereof.



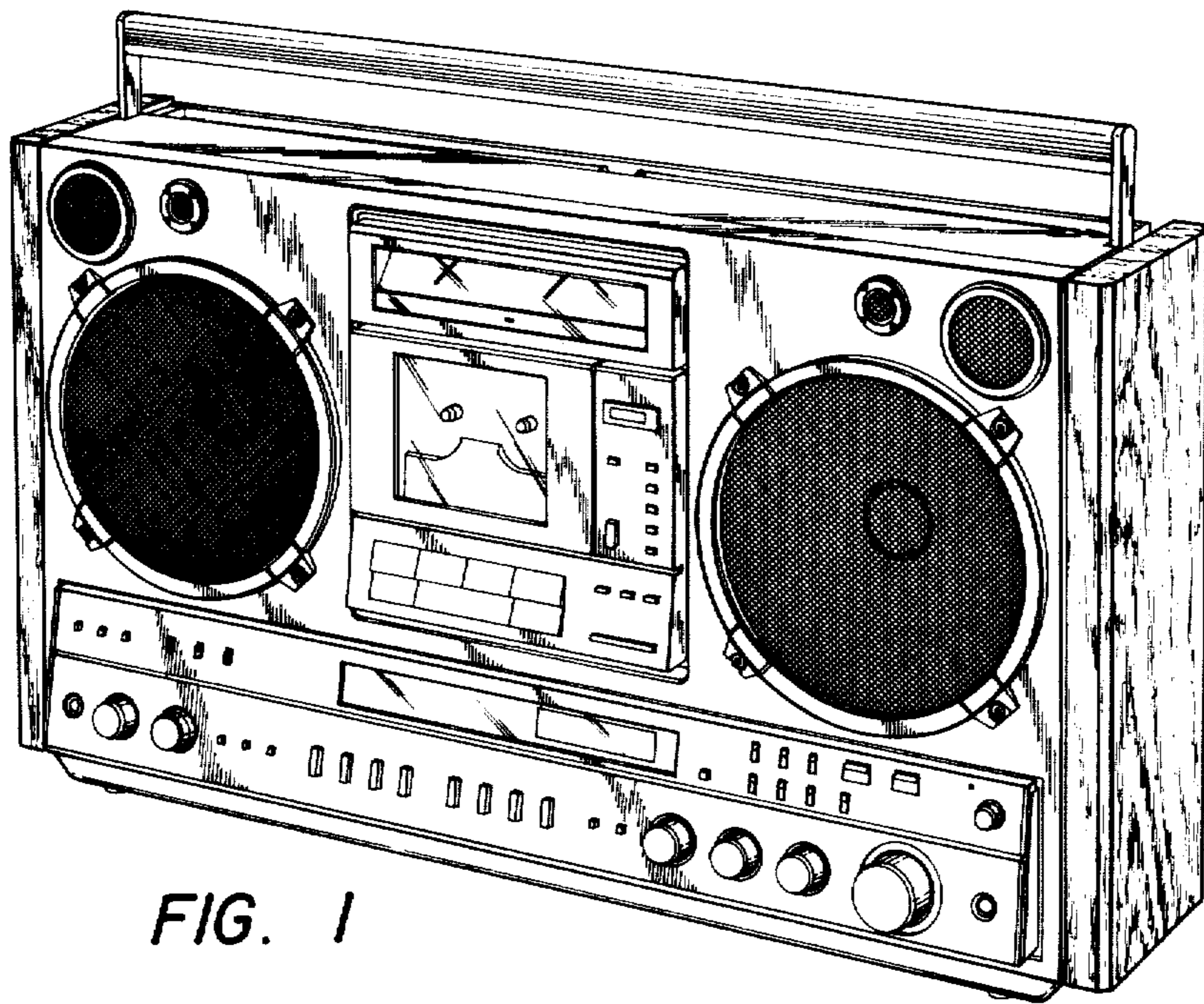


FIG. 1

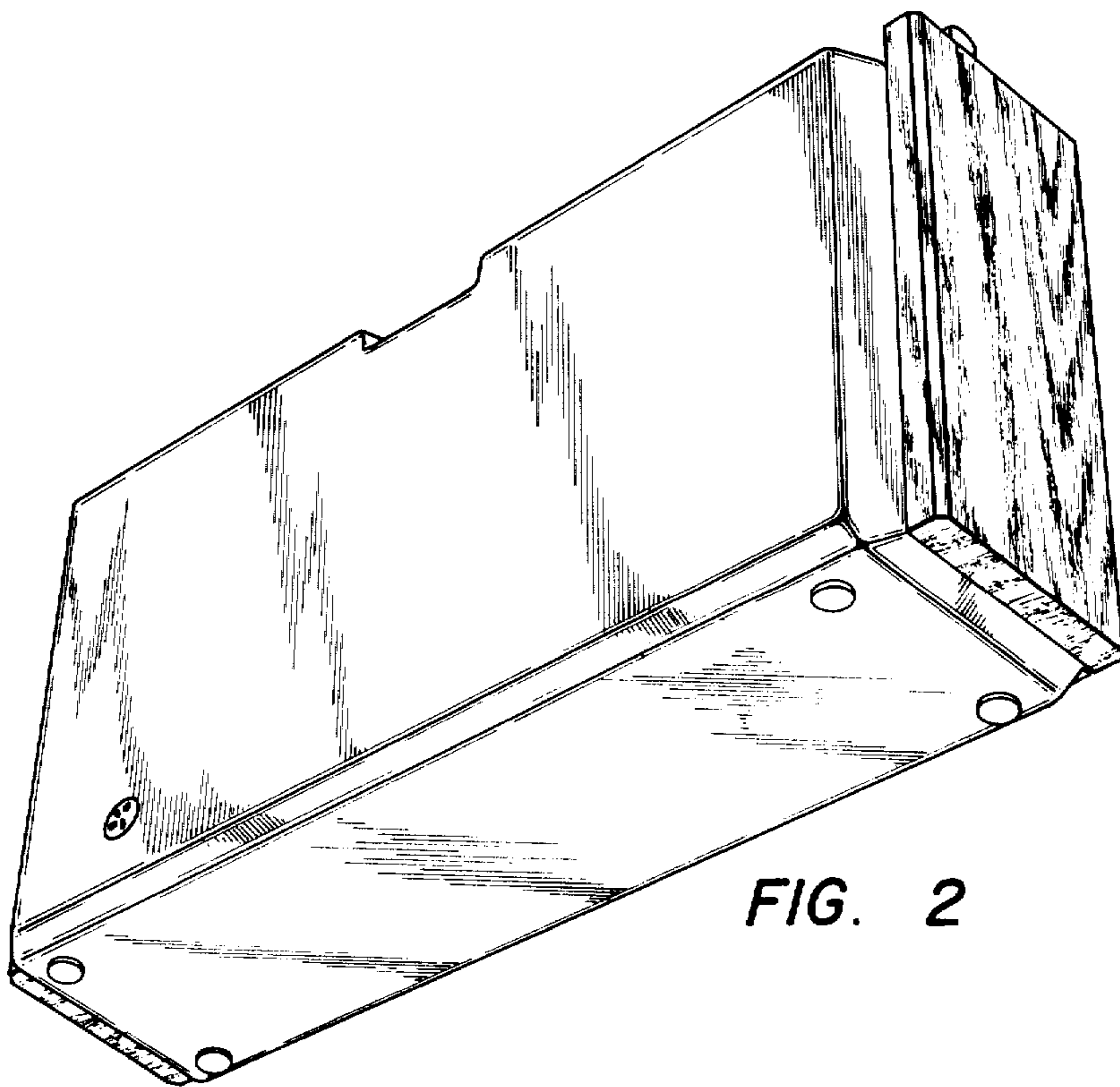


FIG. 2

FIG. 3

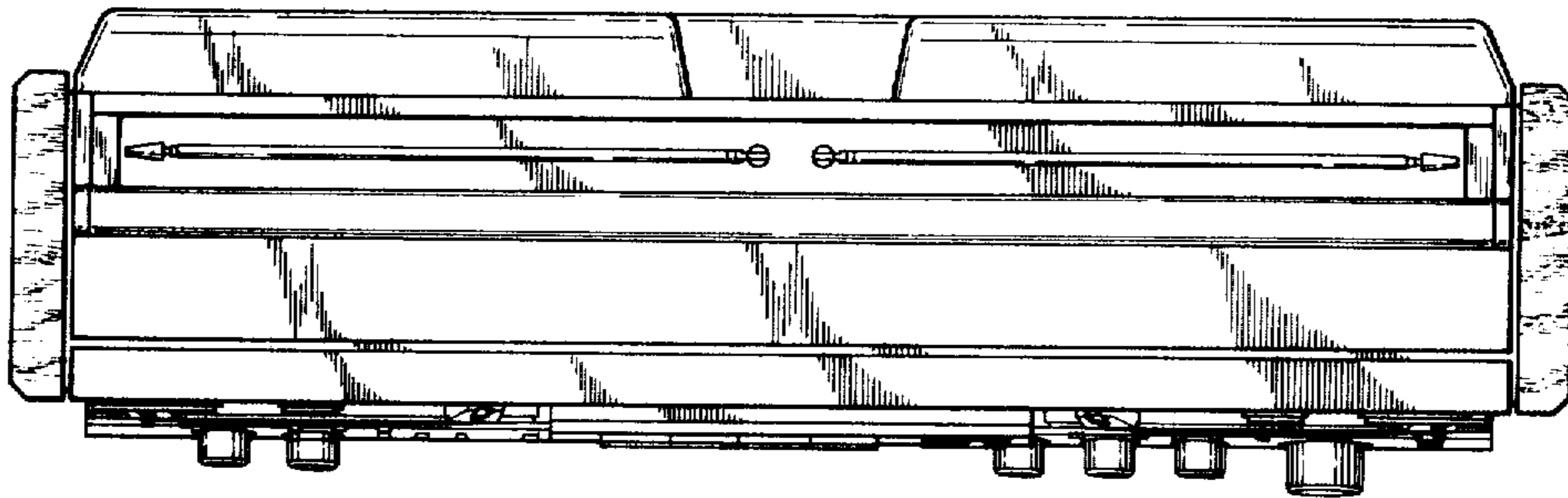


FIG. 4

