

[54] **ELECTRICAL CABLE SPLICE ENCLOSURE**

[75] **Inventors: Kenneth W. Brownell; Robert C. Hazenfield, both of Asheville, N.C.**

[73] **Assignee: Akzona Incorporated, Asheville, N.C.**

[\*\*] **Term: 14 Years**

[21] **Appl. No.: 140,025**

[22] **Filed: Apr. 14, 1980**

[51] **Int. Cl. .... D13-03**

[52] **U.S. Cl. .... D13/13; D13/24**

[58] **Field of Search .... D13/24, 13; 174/72 R, 174/88, 91, 92; 339/136**

[56] **References Cited**

**U.S. PATENT DOCUMENTS**

2,839,596 6/1958 Cheney et al. .... 174/92  
3,511,921 5/1970 Pasternak .... 174/72 X

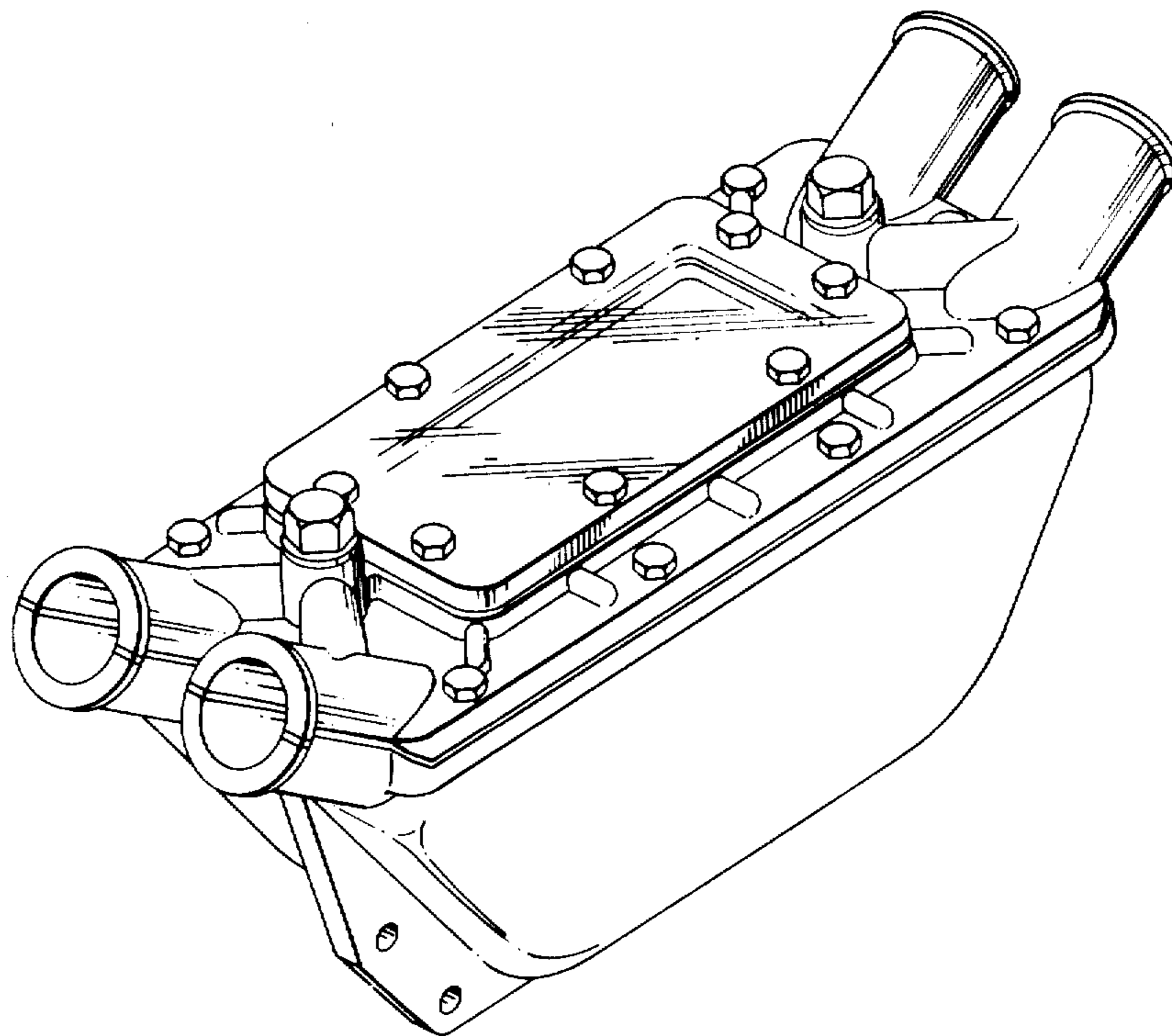
*Primary Examiner*—Susan J. Lucas  
*Attorney, Agent, or Firm*—Francis W. Young; David M. Carter

[57] **CLAIM**

The ornamental design for an electrical cable splice enclosure, as shown.

**DESCRIPTION**

FIG. 1 is a perspective view of an electrical cable splice enclosure showing our new design;  
FIG. 2 is a top view thereof;  
FIG. 3 is a side elevational view thereof;  
FIG. 4 is an end elevational view thereof;  
FIG. 5 is a bottom view thereof.



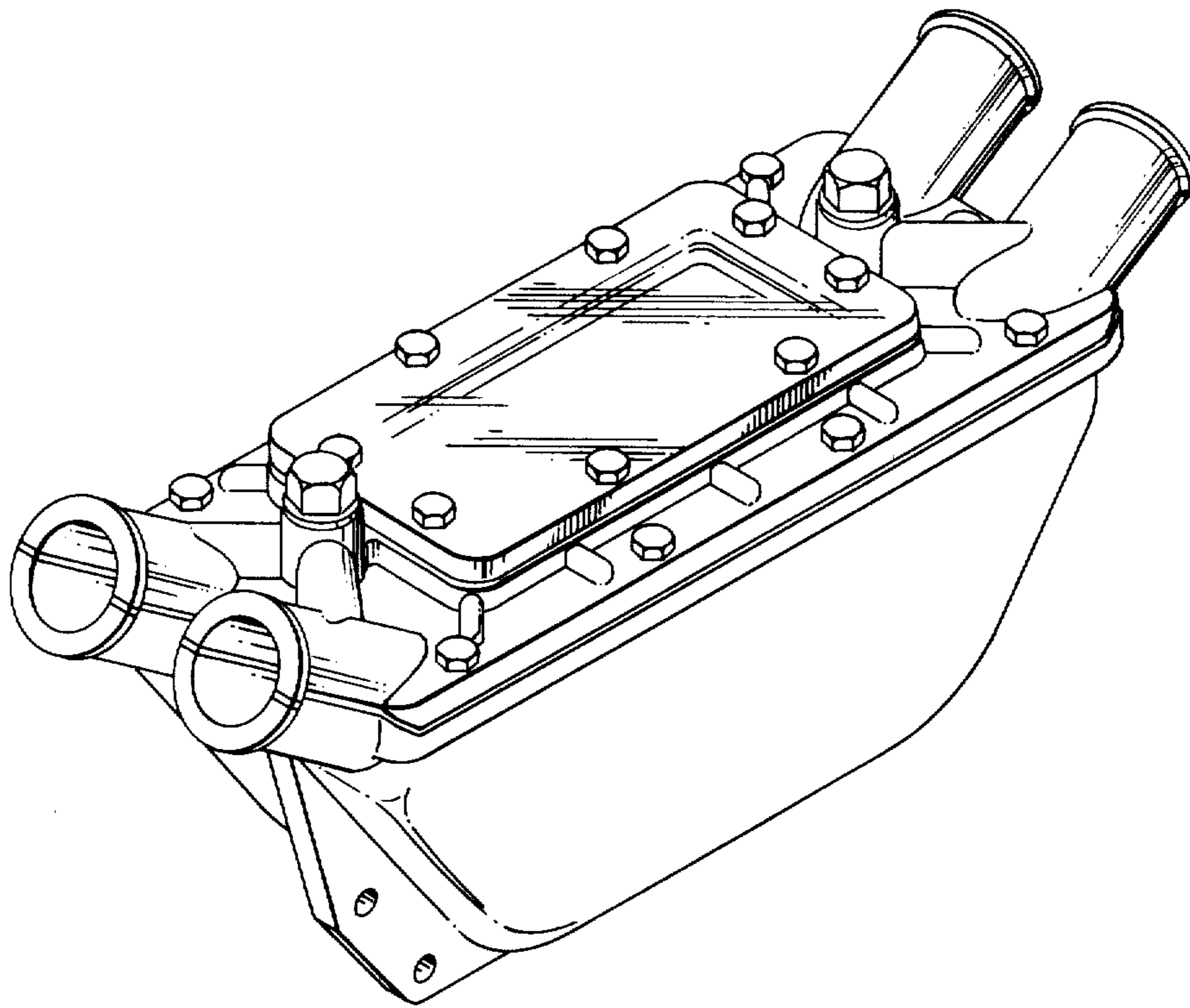


FIG. 1

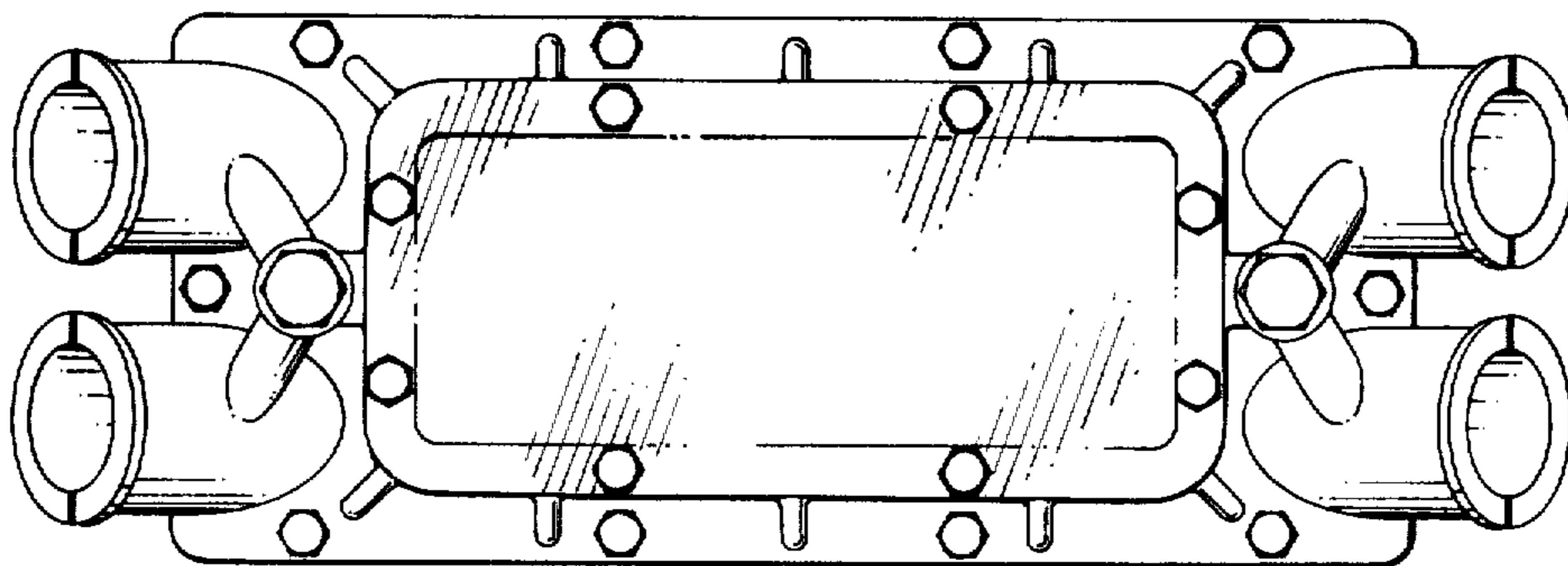


FIG. 2

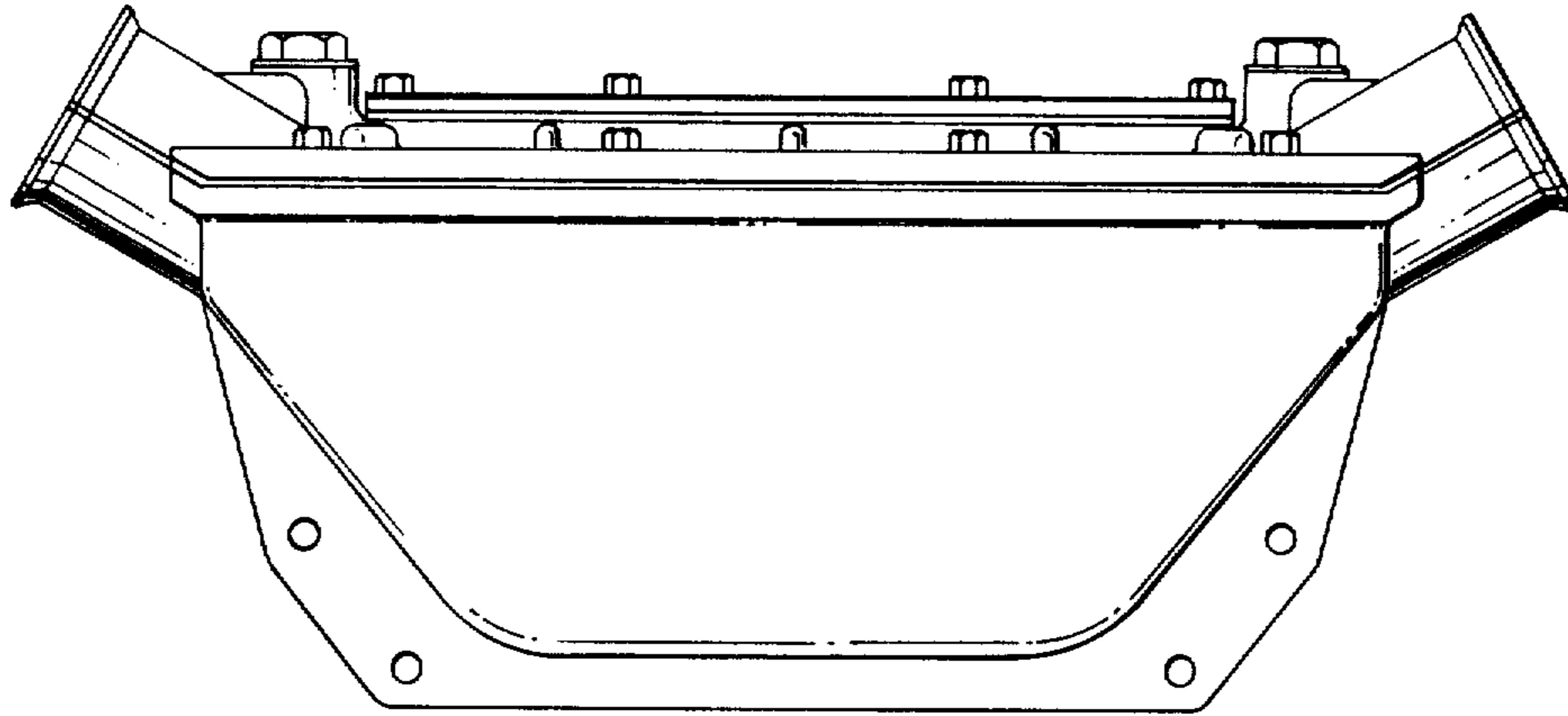


FIG. 3

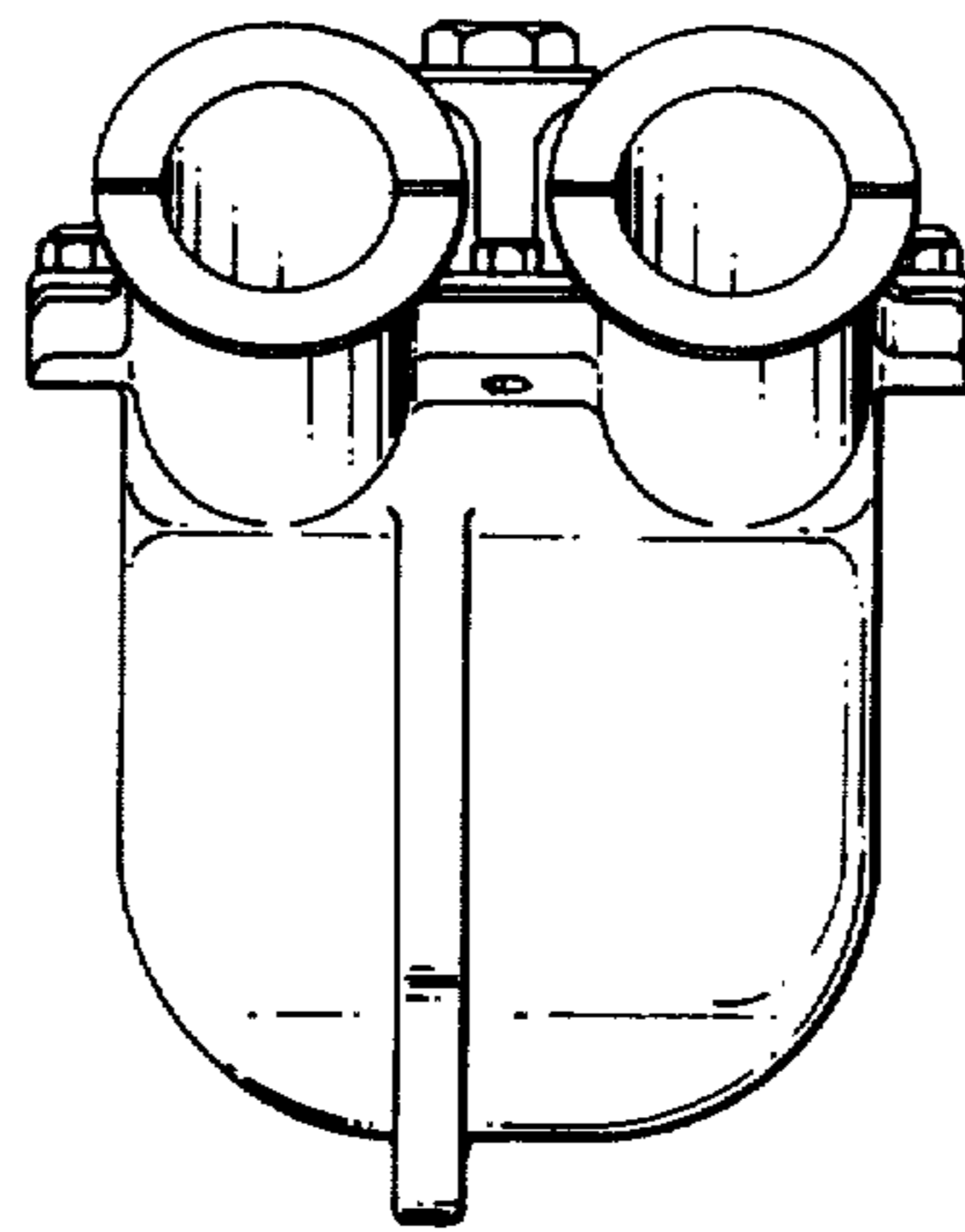


FIG. 4

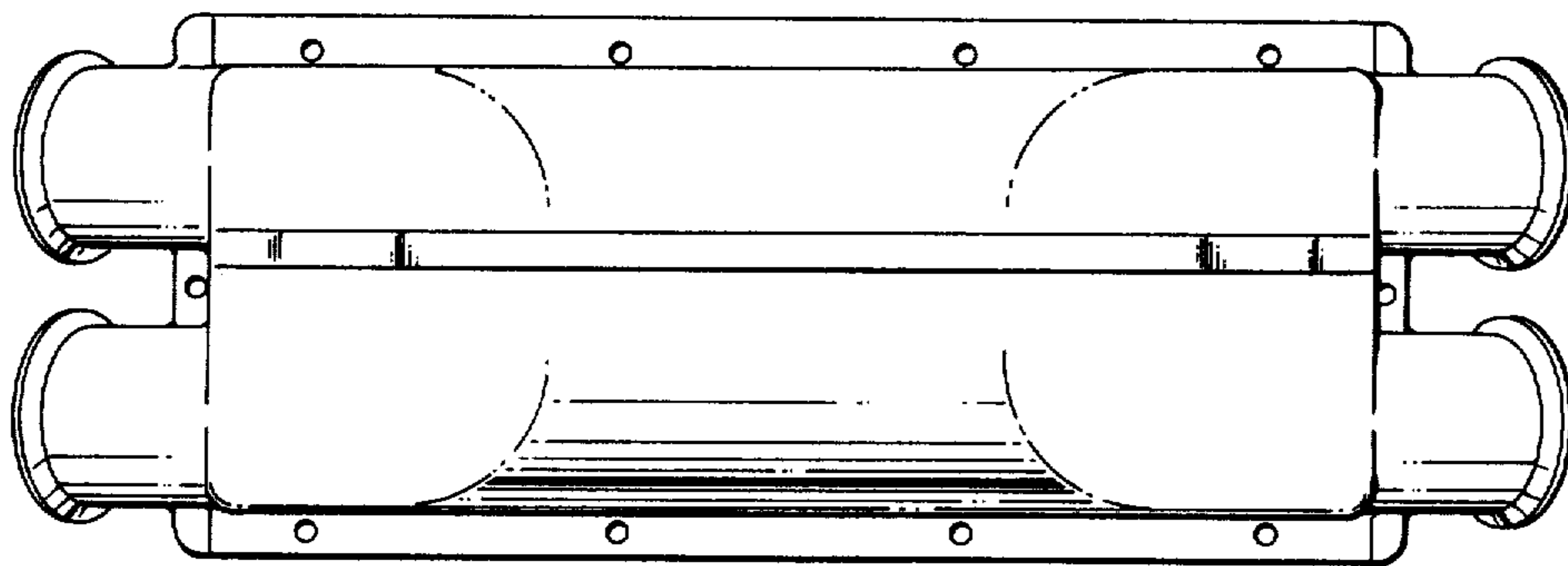


FIG. 5